

blu

BATHWORKS®

blu•stone™



Catalogue

May 2026

Blu Bathworks®

Blu is a complete modern bathware solution, certified for use in the North American market.

The full range of collections were created with the same design DNA and work in harmony to provide an entire bathroom solution or as standalone statement pieces.

blu·stone™ bathtubs

| | |
|-----------------------|----|
| features + benefits | 8 |
| color + finish guide | 9 |
| alcove + freestanding | 10 |
| accessories | 21 |
| lifestyle photo | 23 |
| designer series | 32 |

acrylic bathtubs

| | |
|-----------------------|----|
| features + benefits | 37 |
| color + finish guide | 38 |
| alcove + freestanding | 39 |
| drains | 47 |
| lifestyle photos | 48 |

blu·stone™ basins

| | |
|-------------------------|----|
| features + benefits | 51 |
| color + finish guide | 53 |
| vessel/countertop | 54 |
| pedestal | 59 |
| vanity top | 65 |
| basin accessories | 70 |
| countertop + backsplash | 72 |
| lifestyle photos | 76 |

blu·stone™ shower bases

| | |
|----------------------|----|
| features + benefits | 79 |
| color + finish guide | 80 |
| shower bases | 81 |

natural stone

| | |
|----------------------|----|
| color + finish guide | 86 |
| customization | 87 |
| marble collection | 89 |
| lifestyle photos | 90 |
| code + compliance | 6 |
| warranty + terms | 92 |
| inventory | 94 |
| contact information | 95 |

where water meets modern™

modern architectural sustainable design

With an inherent passion for water conservation, Blu Bathworks® is committed to developing sustainable products for an ecological future.

This passion motivated us to create our signature eco-friendly blu·stone™ material, which – in addition to its low-energy production process and recyclable nature – provides superior water temperature retention, requiring less water consumption for an optimum bathing experience.



Our newest product selection reflects our continued vision and pursuit of design and product innovation.



Our eco-friendly blu·stone™ collection, is available in a wide range of luxury basins, bathtubs, shower bases, countertops, backsplashes and even a tray for our freestanding tubs.

Sustainability is an expression of our corporate culture, expressed in our attitude, product offering, as well as our production processes. We continue to evolve our working relationships to constantly review and optimize our production practices from an ecology viewpoint.

codes + compliance

Blu is proud to feature a selection of sustainable and certified products, that meet or exceed the highest standards, including:



CalGreen compliant

AB1953

AB1953 compliant, lead-free tapware



LEED certified products



IAPMO



UPC/cUPC



Massachusetts code



California Energy Commission



UL Listed



CSA certified products

blu•stone™ bathtubs



features + benefits

Luminous and highly tactile, Blu Bathworks offers durable and versatile blu-stone™ bathtubs for the modern and transitional bathroom environment. Available in freestanding and alcove applications with a wide range of size and style for maximum design flexibility and optimum bathing experience.



Durable

Crafted from 70% quartzite, blu-stone™ is an exceptionally durable material, which looks and feels like natural stone. It is high-pressure injection molded, anti-microbial and non-porous. Low maintenance and repairable, blu-stone™ products are stain + scratch resistant.



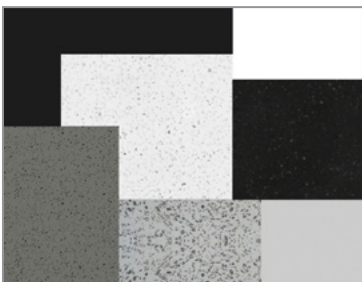
One-Piece Design

Beautiful one-piece blu-stone™ bathtubs offer a clean and modern design aesthetic. blu-stone™ one-piece tubs are non-porous, stain and impact resistant making them hygienic & durable for daily uses. Also easily repairable, blu-stone™ bathtubs are perfect for any household.



Design Flexibility

The blu-stone™ bathtub collection provides the flexibility to coordinate materials across the bathroom, with bathtub options to suit every design requirement. Choose from freestanding to alcove bathtubs, condo-proportioned to deep-soaker tubs. blu-stone™ is the ideal material for creating custom design solutions to support project specifications.



Colors + Finishes + Customization

A selection of blu-stone™ bathtubs are available in a range of modern stone-like colors including quartz (white), marble (gray), slate (black) and more. Homogeneous in nature, the color is consistent throughout, resulting in a finish that will last a lifetime.

All blu-stone™ color products in gloss finish are defined as a "live finish". This is due to the gloss finish being several layers of wax that have been applied and buffed onto the products natural matte finish. The high gloss finish will fade as a result of usage and typically limited to the bathing well of the tub where the usage occurs. Wax refinishing can occur at anytime and is detailed in the installation and maintenance guide for blu-stone™ products.

colors + finishes



blu-stone™ bathtub coco·2 BT0402.02-01M

Material:

blu-stone™

Solid Surface Material: 70% quartzite + 30% bio-resin, injection molded

finishes

Matte: Visually luminous and highly tactile, matte finish is soft and almost warm to the touch and evokes a minimalist architectural quality

Gloss: High gloss finish is available for select blu-stone™ pieces, which adds a modern touch and enhances design coordination

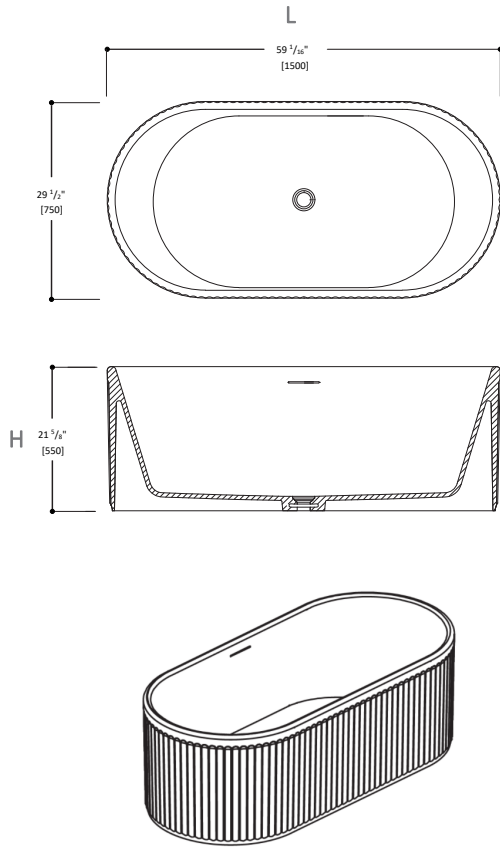
How to order blu-stone™ bathtubs:

Bathtub SKU + blu-stone™ color/finish code

eg. azure·1 freestanding bathtub in Marble Matte (09M) finish = BT0304N17.01-09M

2026 New releases

freestanding - Echo Collection



Echo Fluted 59

BT0402.59FL- 01M (matte white) (in stock)
BT0402.59FL- 01G (gloss white) (special order)

- 59 1/16" L x 29 1/2" W x 21 5/8" H / 1500mm L x 750mm W x 550mm H
- Seamless, one-piece blu·stone™ bathtub
- Center drain
- Capacity: 66G / 250L
- Includes integral slot overflow & matching blu·stone™ waste cover
- Available in a range of blu·stone™ colors + finishes

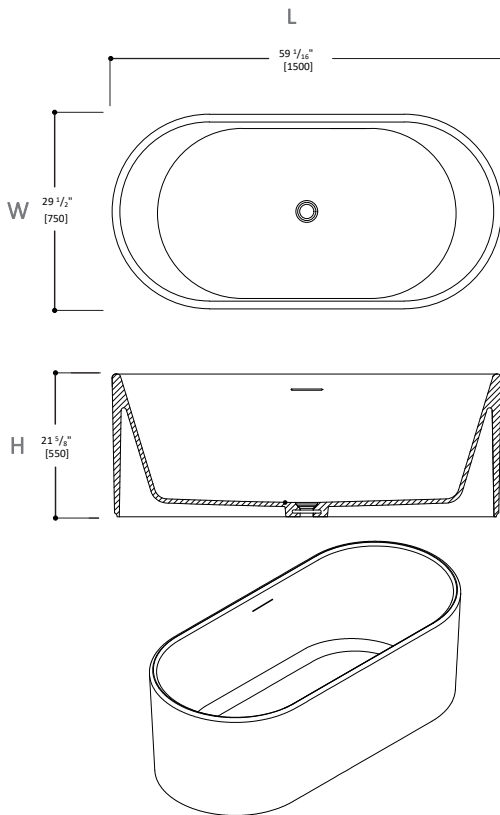
Special Order Finishes



**Special Order finishes require a 20+ week lead time*

**Special Order finishes are Made to Order and non-returnable*

**Sherwin Williams color is available without additional up-charge and based on 1 round of sample*



Echo Non-Fluted 59

BT0402.59NF- 01M (matte white) (in stock)
BT0402.59NF- 01G (gloss white) (special order)

- 59 1/16" L x 29 1/2" W x 21 5/8" H / 1500mm L x 750mm W x 550mm H
- Seamless, one-piece blu·stone™ bathtub
- Center drain
- Capacity: 66G / 250L
- Includes integral slot overflow & matching blu·stone™ waste cover
- Available in a range of blu·stone™ colors + finishes

Special Order Finishes



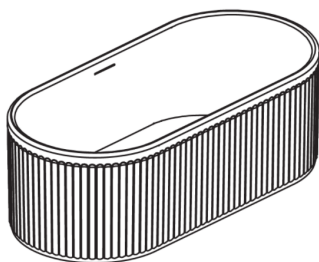
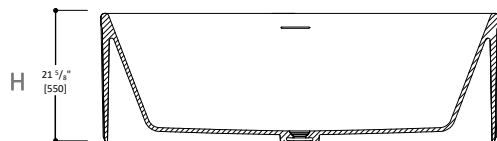
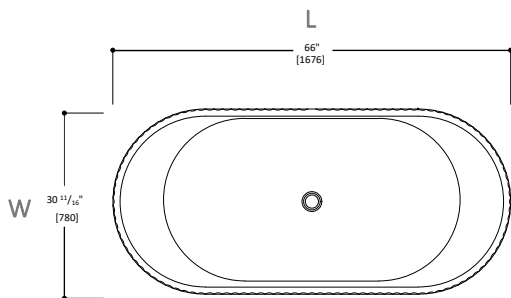
**Special Order finishes require a 20+ week lead time*

**Special Order finishes are Made to Order and non-returnable*

**Sherwin Williams color is available without additional up-charge and based on 1 round of sample*

2026 New releases

freestanding - Echo Collection



Echo Fluted 65

BT0402.65FL- 01M (matte white) (in stock)
BT0402.65FL- 01G (gloss white) (special order)

- 66" L x 30 11/16" W x 21 5/8" H / 1676mm L x 780mm W x 550mm H
- Seamless, one-piece blu-stone™ bathtub
- Center drain
- Capacity: 66G / 250L
- Includes integral slot overflow & matching blu-stone™ waste cover
- Available in a range of blu-stone™ colors + finishes

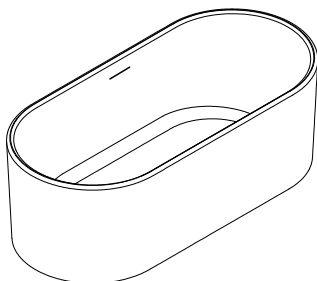
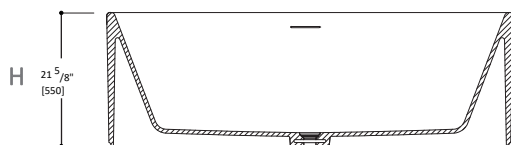
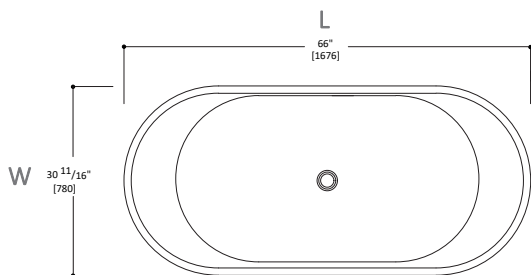
Special Order Finishes



**Special Order finishes require a 20+ week lead time*

**Special Order finishes are Made to Order and non-returnable*

**Any Sherwin Williams color is available without additional up-charge and based on 1 round of sample*



Echo Non-Fluted 65

BT0402.65NF- 01M (matte white) (in stock)
BT0402.65NF- 01G (gloss white) (special order)

- 66" L x 30 11/16" W x 21 5/8" H / 1676mm L x 780mm W x 550mm H
- Seamless, one-piece blu-stone™ bathtub
- Center drain
- Capacity: 66G / 250L
- Includes integral slot overflow & matching blu-stone™ waste cover
- Available in a range of blu-stone™ colors + finishes

Special Order Finishes

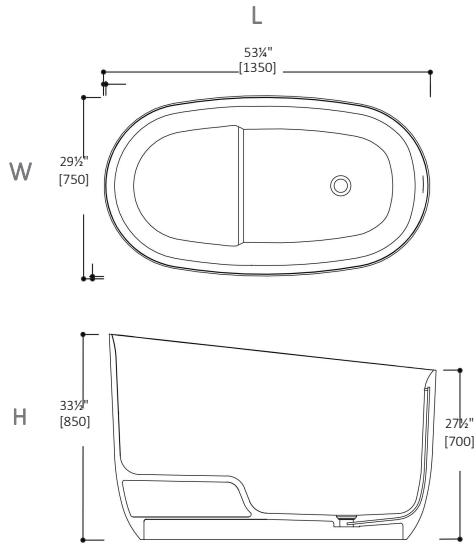


**Special Order finishes require a 20+ week lead time*

**Special Order finishes are Made to Order and non-returnable*

**Any Sherwin Williams color is available without additional up-charge and based on 1 round of sample*

freestanding - Ofuro Collection
Japanese Style



Ofuro 53 Sloped

BT0203N53-01M (matte white) (in stock)
BT0203N53-01G* (gloss white) (special order)

- 53" L x 29 1/2" W x 33 1/2" H / 1350mm L x 750mm W x 850mm H
- Seamless, one-piece blu-stone™ bathtub
- End drain for versatile left/right drain installation
- Capacity: 84G / 320L
- Includes integral slot overflow & matching blu-stone™ waste cover
- Available in a range of blu-stone™ colors + finishes

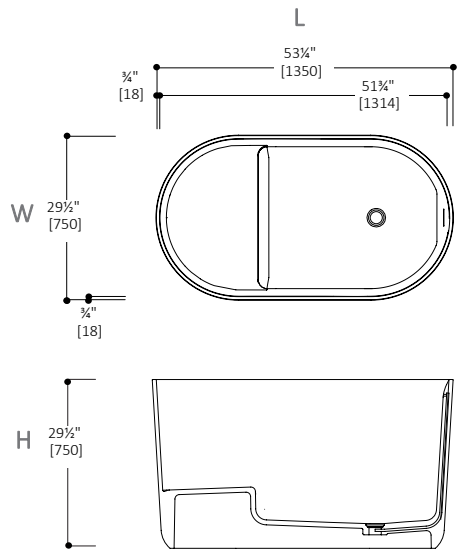
Special Order Finishes



*Special Order finishes require a 20+ week lead time

*Special Order finishes are Made to Order and non-returnable

*Any Sherwin Williams color is available without additional up-charge and based on 1 round of sample



Ofuro 53 Oval

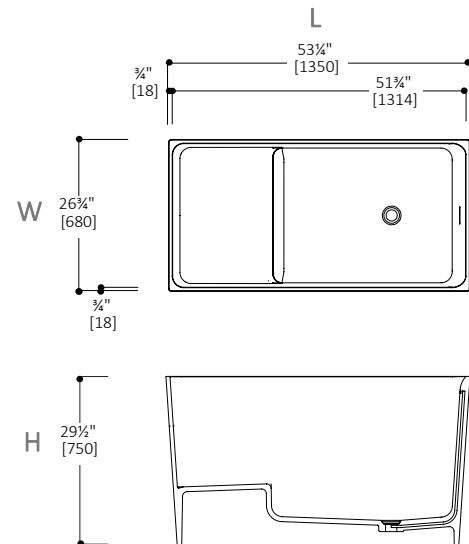
BT0304N11-01M (matte white) (in stock)
BT0304N11-01G* (gloss white) (special order)

- 53 3/4" L x 29 1/2" W x 29 1/2" H / 1350mm L x 750mm W x 750mm H
- Seamless, one-piece blu-stone™ bathtub
- End drain for versatile left/right drain installation
- Capacity: 84G / 320L
- Includes integral slot overflow & matching blu-stone™ waste cover
- Only available in white.

*Special Order finishes require a 20+ week lead time

*Special Order finishes are Made to Order and non-returnable

*Any Sherwin Williams color is available without additional up-charge and based on 1 round of sample



Ofuro 53 Rectangular

BT0304N12-01M (matte white) (in stock)
BT0304N12-01G* (gloss white) (special order)

- 53 3/4" L x 26 3/4" W x 29 1/2" H / 1350mm L x 680mm W x 750mm H
- Seamless, one-piece blu-stone™ bathtub
- End drain for versatile left/right drain installation
- Capacity: 84G / 320L
- Includes integral slot overflow & matching blu-stone™ waste cover
- Available in a range of blu-stone™ colors + finishes
- Alcove installation requires separate tile flange, TF.BTSB (refer to pg 56 A)

Special Order Finishes

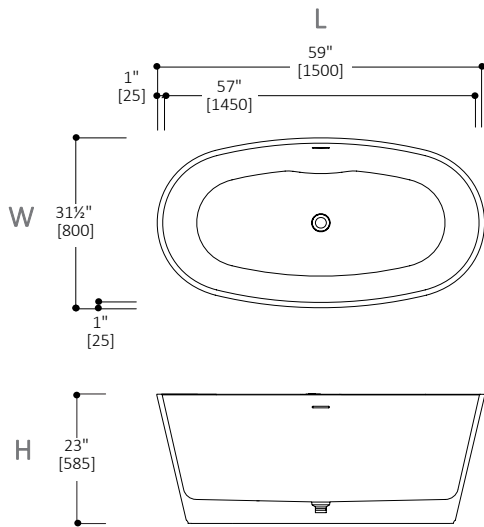


*Special Order finishes require a 20+ week lead time

*Special Order finishes are Made to Order and non-returnable

*Any Sherwin Williams color is available without additional up-charge and based on 1 round of sample

freestanding - Coco Collection



Coco 59

BT0402.02-01M (matte white) (in stock)
 BT0402.02-01G* (gloss white) (special order)

- 59" L x 31½" W x 23½" H / 1500mm L x 800mm W x 585mm H
- Seamless, one-piece blu-stone™ bathtub
- Center drain
- Capacity: 74G / 280L
- Includes integral slot overflow & matching blu-stone™ waste cover
- Available in a range of blu-stone™ colors + finishes

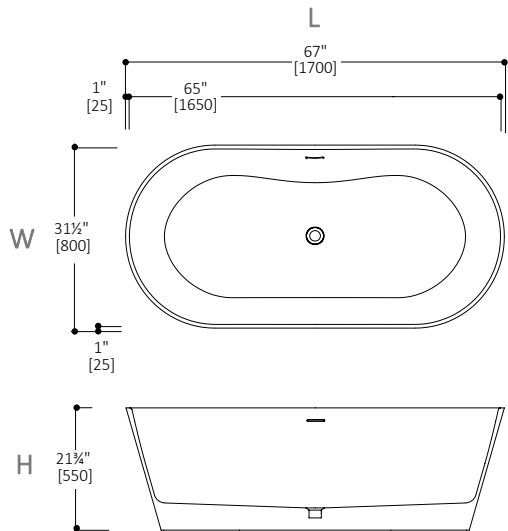
Special Order Finishes



*Special Order finishes require a 20+ week lead time

*Special Order finishes are Made to Order and non-returnable

*Any Sherwin Williams color is available without additional up-charge and based on 1 round of sample

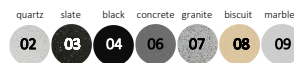


Coco 67

BT0304.01-01M (matte white) (in stock)
 BT0304.01-01G* (gloss white) (special order)

- 67" L x 31½" W x 21¾" H / 1700mm L x 750mm W x 550mm H
- Seamless, one-piece blu-stone™ bathtub
- Center drain
- Capacity: 91G / 345L
- Includes integral slot overflow & matching blu-stone™ waste cover
- Available in a range of blu-stone™ colors + finishes

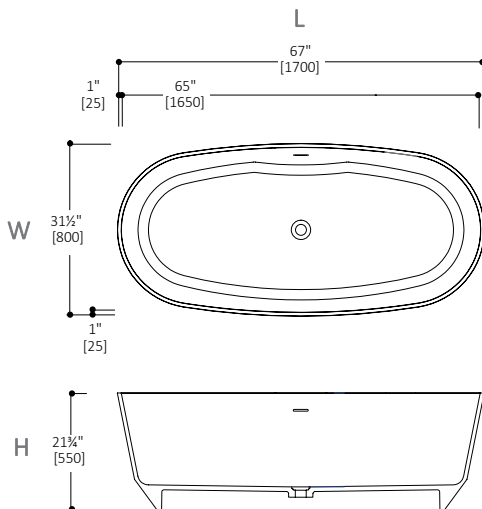
Special Order Finishes



*Special Order finishes require a 20+ week lead time

*Special Order finishes are Made to Order and non-returnable

*Any Sherwin Williams color is available without additional up-charge and based on 1 round of sample



Coco 67B

BT0207N17-01M (matte white) (in stock)
 BT0207N17-01G (gloss white) (special order)

- 67" L x 31½" W x 21½" H / 1700mm L x 800mm W x 550mm H
- Seamless, one-piece blu-stone™ bathtub
- Center drain
- Capacity: 82G / 310L
- Includes integral slot overflow & matching blu-stone™ waste cover
- Available in a range of blu-stone™ colors + finishes

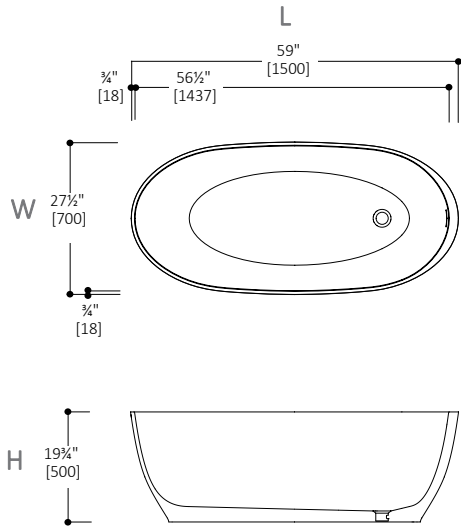
Special Order Finishes



*Special Order finishes require a 20+ week lead time

*Special Order finishes are Made to Order and non-returnable

*Any Sherwin Williams color is available without additional up-charge and based on 1 round of sample



Azure 59

BT0305N15.01-01M (matte white) *(in stock)*
BT0305N15.01-01G* (gloss white) *(special order)*

- 59" L x 27½" W x 19¾" H / 1500mm L x 700mm W x 500mm H
- Seamless, one-piece blu-stone™ bathtub
- End drain for versatile left/right drain installation
- Capacity: 65G / 247L
- Includes integral slot overflow & matching blu-stone™ waste cover
- Available in a range of blu-stone™ colors + finishes

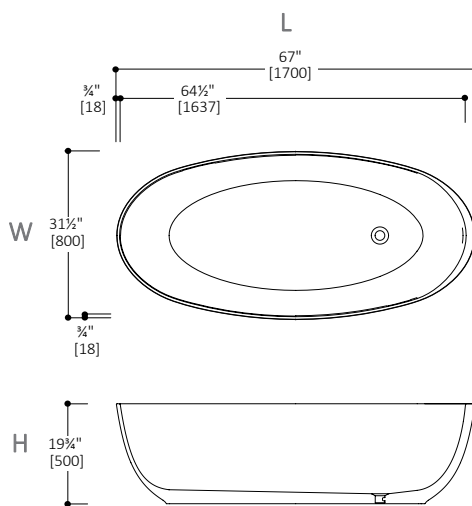
Special Order Finishes



**Special Order finishes require a 20+ week lead time*

**Special Order finishes are Made to Order and non-returnable*

**Any Sherwin Williams color is available without additional up-charge and based on 1 round of sample*



Azure 67

BT0305N17.01-01M (matte white) *(in stock)*
BT0305N17.01-01G* (gloss white) *(special order)*

- 67" L x 31½" W x 19¾" H / 1700mm L x 864mm W x 500mm H
- Seamless, one-piece blu-stone™ bathtub
- Capacity: 83G / 314L
- End drain for versatile left/right drain installation
- Includes integral slot overflow & matching blu-stone™ waste cover
- Available in a range of blu-stone™ colors + finishes

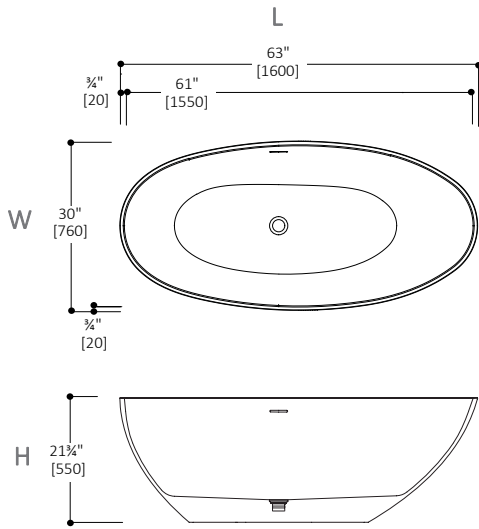
Special Order Finishes



**Special Order finishes require a 20+ week lead time*

**Special Order finishes are Made to Order and non-returnable*

**Any Sherwin Williams color is available without additional up-charge and based on 1 round of sample*



Halo 63

BT0406.01-01M (matte white) (in stock)
BT0406.01-01G* (gloss white) (special order)

- 63" L x 30" W x 21 3/4" H / 1600mm L x 760mm W x 550mm H
- Seamless, one-piece blu-stone™ bathtub
- Center drain
- Capacity: 70G / 265L
- Includes integral slot overflow & matching blu-stone™ waste cover
- Available in a range of blu-stone™ colors + finishes

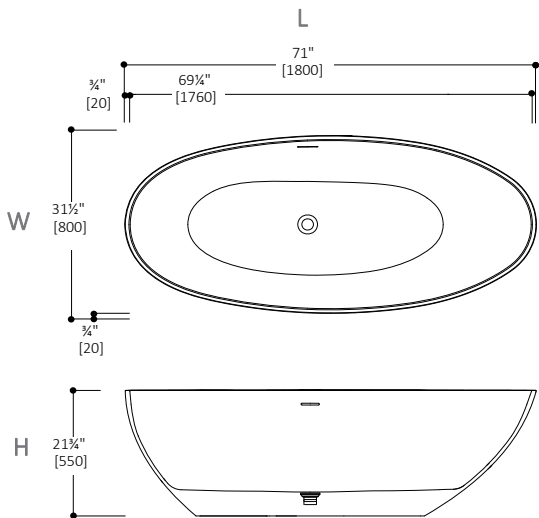
Special Order Finishes



*Special Order finishes require a 20+ week lead time

*Special Order finishes are Made to Order and non-returnable

*Any Sherwin Williams color is available without additional up-charge and based on 1 round of sample

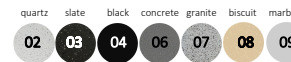


Halo 71

BT0408.02-01M (matte white) (in stock)
BT0408.02-01G* (gloss white) (special order)

- 71" L x 31 1/2" W x 21 3/4" H / 1800mm L x 800mm W x 550mm H
- Seamless, one-piece blu-stone™ bathtub
- Capacity: 87G / 330L
- Center drain
- Includes integral slot overflow & matching blu-stone™ waste cover
- Available in a range of blu-stone™ colors + finishes

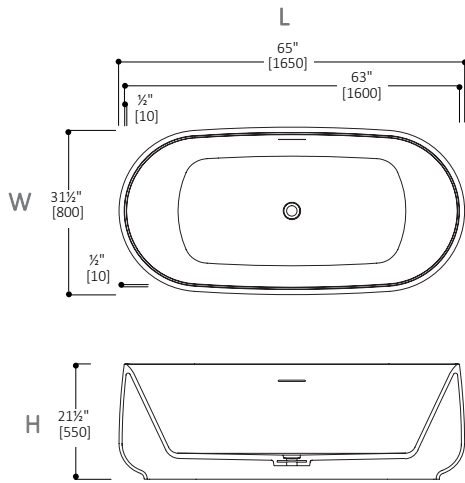
Special Order Finishes



*Special Order finishes require a 20+ week lead time

*Special Order finishes are Made to Order and non-returnable

*Any Sherwin Williams color is available without additional up-charge and based on 1 round of sample



Sereno 65

BT0207N16-01M (matte white) (in stock)
BT0207N16-01G* (gloss white) (special order)

- 65" L x 31½" W x 21½" H / 1650mm L x 800mm W x 550mm H
- Seamless, one-piece blu·stone™ bathtub
- Center drain
- Capacity: 69G / 262L
- Includes integral slot overflow & matching blu·stone™ waste cover
- Available in a range of blu·stone™ colors + finishes

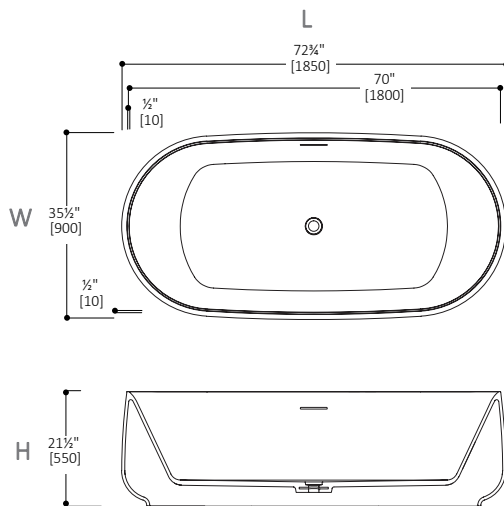
Special Order Finishes



*Special Order finishes require a 20+ week lead time

*Special Order finishes are Made to Order and non-returnable

*Any Sherwin Williams color is available without additional up-charge and based on 1 round of sample



Sereno 72

BT0207N18-01M (matte white) (in stock)
BT0207N18-01G* (gloss white) (special order)

- 72¾" L x 35½" W x 21½" H / 1850mm L x 900mm W x 550mm H
- Seamless, one-piece blu·stone™ bathtub
- Center drain
- Capacity: 78G / 296L
- Includes integral slot overflow & matching blu·stone™ waste cover
- Available in a range of blu·stone™ colors + finishes

Special Order Finishes

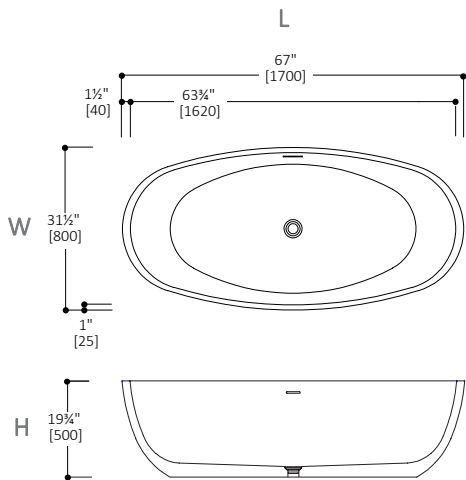


*Special Order finishes require a 20+ week lead time

*Special Order finishes are Made to Order and non-returnable

*Any Sherwin Williams color is available without additional up-charge and based on 1 round of sample

freestanding - Lago Collection



Lago 67

BT0305.02-01M (matte white) *(in stock)*
BT0305.02-01G* (gloss white) *(special order)*

- 67" L x 31½" W x 19¾" H / 1700mm L x 800mm W x 500mm H
- Seamless, one-piece blu-stone™ bathtub
- Center drain
- Capacity: 82G / 310L
- Includes integral slot overflow & matching blu-stone™ waste cover
- Available in a range of blu-stone™ colors + finishes

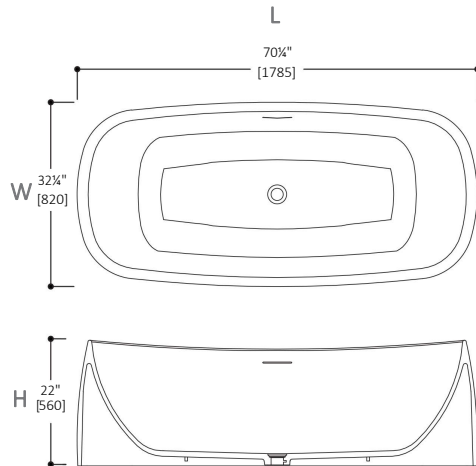
Special Order Finishes



**Special Order finishes require a 20 + week lead time*

**Special Order finishes are Made to Order and non-returnable*

**Any Sherwin Williams color is available without additional up-charge and based on 1 round of sample*



Lago 70

BT0408N70-01M (matte white) *(in stock)*
BT0408N70-01G* (gloss white) *(special order)*

- 70¼" L x 32¼" W x 21¾" H / 1785mm L x 820mm W x 550mm H
- Seamless, one-piece blu-stone™ bathtub
- Center drain
- Capacity: 84G / 317L
- Includes integral slot overflow & matching blu-stone™ waste cover
- Available in a range of blu-stone™ colors + finishes

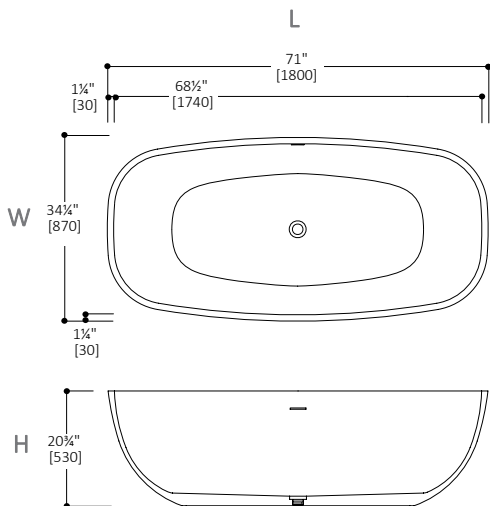
Special Order Finishes



**Special Order finishes require a 20 + week lead time*

**Special Order finishes are Made to Order and non-returnable*

**Any Sherwin Williams color is available without additional up-charge and based on 1 round of sample*



Lago 71

BT0305N18-01M (matte white) *(in stock)*
BT0305N18-01G* (gloss white) *(special order)*

- 71" L x 34¼" W x 20¾" H / 1800mm L x 870mm W x 530mm H
- Seamless, one-piece blu-stone™ bathtub
- Center drain
- Capacity: 100G / 380L
- Includes integral slot overflow & matching blu-stone™ waste cover
- Available in a range of blu-stone™ colors + finishes

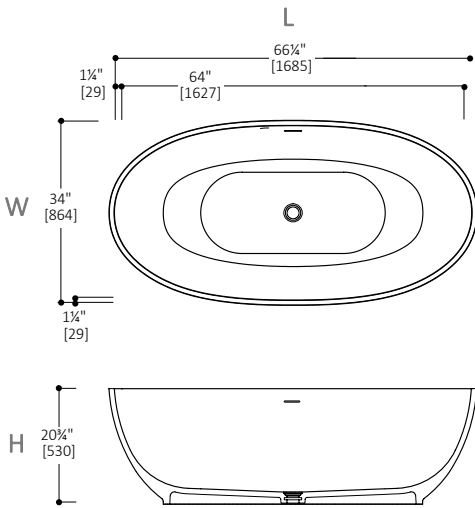
Special Order Finishes



**Special Order finishes require a 20 + week lead time*

**Special Order finishes are Made to Order and non-returnable*

**Any Sherwin Williams color is available without additional up-charge and based on 1 round of sample*



Fini 66

BT0304N17.01-01M (matte white) *(in stock)*
BT0304N17.01-01G* (gloss white) *(special order)*

- 66½" L x 34" W x 20¾" H / 1685mm L x 864mm W x 530mm H
- Seamless, one-piece blu·stone™ bathtub
- Center drain
- Capacity: 84G / 319L
- Includes integral slot overflow & matching blu·stone™ waste cover
- Available in a range of blu·stone™ colors + finishes

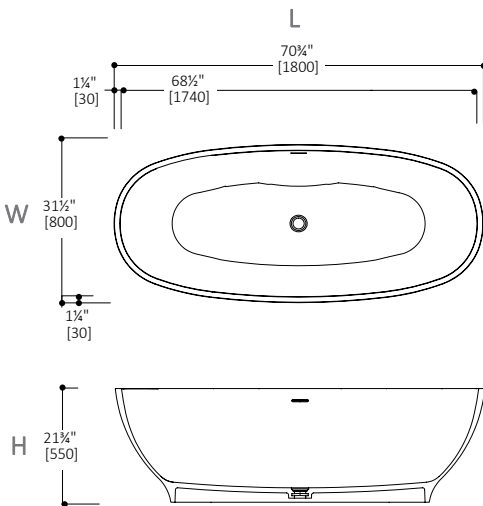
Special Order Finishes



**Special Order finishes require a 20+ week lead time*

**Special Order finishes are Made to Order and non-returnable*

**Any Sherwin Williams color is available without additional up-charge and based on 1 round of sample*



Fini 70

BT0402N18-01M (matte white) *(in stock)*
BT0402N18-01G* (gloss white) *(special order)*

- 70¾" L x 31½" W x 21¾" H / 1800mm L x 800mm W x 550mm H
- Seamless, one-piece blu·stone™ bathtub
- Center drain
- Capacity: 86G / 325L
- Includes integral slot overflow & matching blu·stone™ waste cover
- Available in a range of blu·stone™ colors + finishes

Special Order Finishes

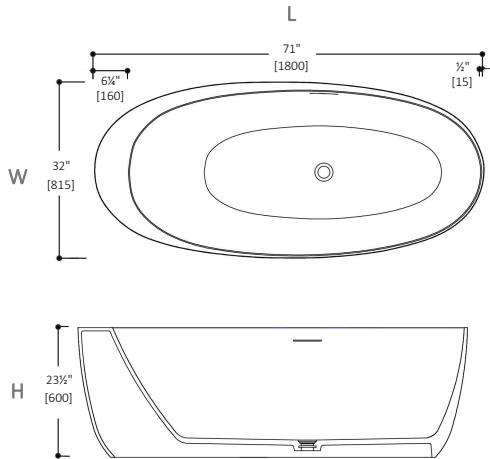


**Special Order finishes require a 20+ week lead time*

**Special Order finishes are Made to Order and non-returnable*

**Any Sherwin Williams color is available without additional up-charge and based on 1 round of sample*

freestanding - Pacific Collection



Pacific 71

BT0305N71-01M (matte white) (in stock)
 BT0305N71-01G* (gloss white) (special order)

- 71" L x 32" W x 23⁵/₈" H / 1800mm L x 815mm W x 600mm H
- Seamless, one-piece blu-stone™ bathtub
- Center drain
- Capacity 90G / 344L
- Includes integral slot overflow & matching blu-stone™ waste cover
- Available in a range of blu-stone™ colors + finishes

Special Order Finishes

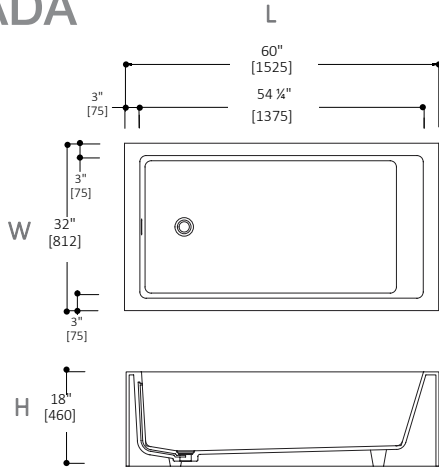


*Special Order finishes require a 20+ week lead time

*Special Order finishes are Made to Order and non-returnable

*Any Sherwin Williams color is available without additional up-charge and based on 1 round of sample

ADA



Metrix 60

BT0104.02-01M (matte white) (in stock)
 BT0104.02-01G* (gloss white) (special order)

- 60" L x 32" W x 18" H / 1525mm L x 812mm W x 460mm H
- Skirted blu·stone™ freestanding / alcove bathtub with 4 sides skirt designed for all cover
- Left or right hand drain installation
- Capacity 81G / 306L
- Includes integral slot overflow & matching blu·stone™ waste cover
- Available in a range of blu·stone™ colors + finishes
- Alcove installation requires separate tile flange, TF.BTSB

Special Order Finishes

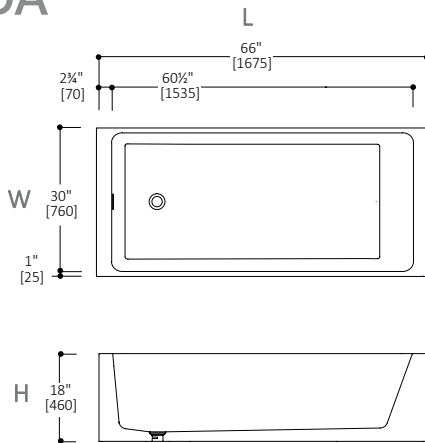


*Special Order finishes require a 20+ week lead time

*Special Order finishes are Made to Order and non-returnable

*Any Sherwin Williams color is available without additional up-charge and based on 1 round of sample

ADA



Metrix 66

BT0105.01-01M (matte white) (in stock)
 BT0105.01-01G* (gloss white) (special order)

- 66" L x 30" W x 18" H / 1675mm L x 760mm W x 460mm H
- Seamless, one-piece blu·stone™ bathtub
- End drain for versatile left/right drain installation
- Capacity: 95G / 360L
- Includes integral slot overflow & matching blu·stone™ waste cover
- Available in a range of blu·stone™ colors + finishes
- Alcove installation requires separate tile flange, TF.BTSB

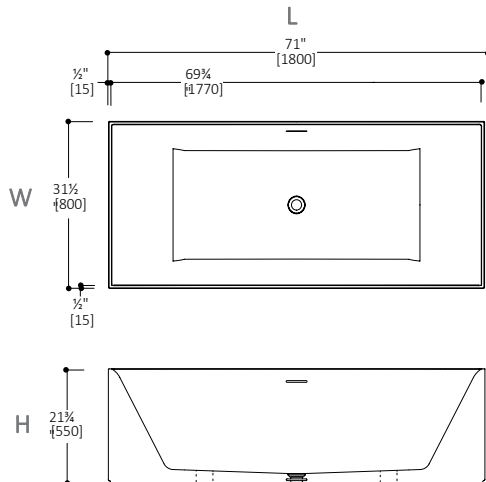
Special Order Finishes



*Special Order finishes require a 20+ week lead time

*Special Order finishes are Made to Order and non-returnable

*Any Sherwin Williams color is available without additional up-charge and based on 1 round of sample



Metrix 71

BT0203.01-01M (matte white) (in stock)
 BT0203.01-01G* (gloss white) (special order)

- 71" L x 31 1/2" W x 21 1/4" H / 1800mm L x 800mm W x 550mm H
- Seamless, one-piece blu·stone™ bathtub
- Center drain
- Capacity: 107G / 405L
- Includes integral slot overflow & matching blu·stone™ waste cover
- Available in a range of blu·stone™ colors + finishes

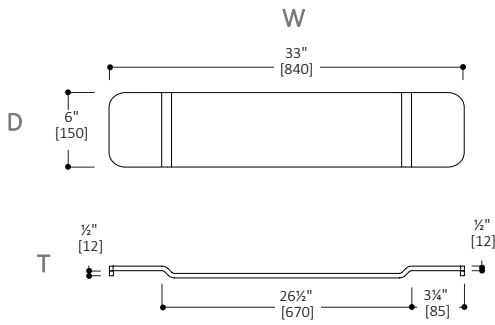
Special Order Finishes



*Special Order finishes require a 20+ week lead time

*Special Order finishes are Made to Order and non-returnable

*Any Sherwin Williams color is available without additional up-charge and based on 1 round of sample



BTDeck840-01M (matte white) (in stock)
BTDeck840-01G* (gloss white) (special order)

- 33" W x 6" D x 1/2" T / 840mm W x 150mm D x 12mm T
- Seamless blu-stone™ bathtub deck tray
- Available in a range of blu-stone™ colors + finishes

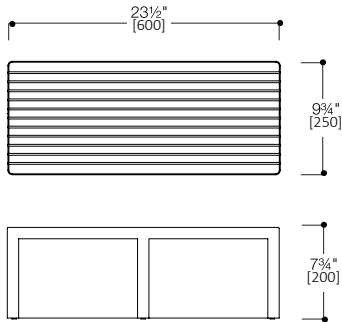
Special Order Finishes



*Special Order finishes require a 20+ week lead time

*Special Order finishes are Made to Order and non-returnable

*Any Sherwin Williams color is available without additional up-charge and based on 1 round of sample



BTStep1184-01M (matte white) (in stock)
BTStep1184-01G (gloss white) (special order)

- 23 1/2" W x 9 3/4" D x 7 3/4" H / 600mm L x 250mm D x 200mm H
- blu-stone™ step for deep soaking blu-stone™ bathtub
- Available in a range of blu-stone™ colors + finishes

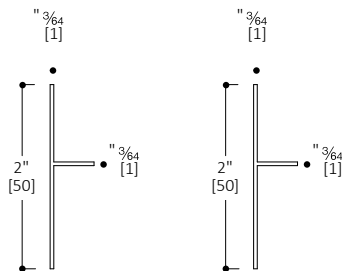
Special Order Finishes



*Special Order finishes require a 20+ week lead time

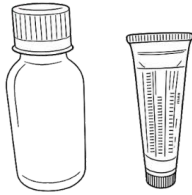
*Special Order finishes are Made to Order and non-returnable

*Any Sherwin Williams color is available without additional up-charge and based on 1 round of sample



TF.BTSB

- Pair of 72" high density Polyethylene tile flanges
- Suitable for alcove bathtub and shower base installation



BluMaterialW-01

- Tube of blu-stone™ mix
- Liquid Hardener Reactor

Special Order Finishes



Echo Collection



Fluted



Non fluted

Ofuro Collection





Azure Collection



Halo Collection



Sereno Collection



Lago Collection



Pacific Collection



Metrix Collection

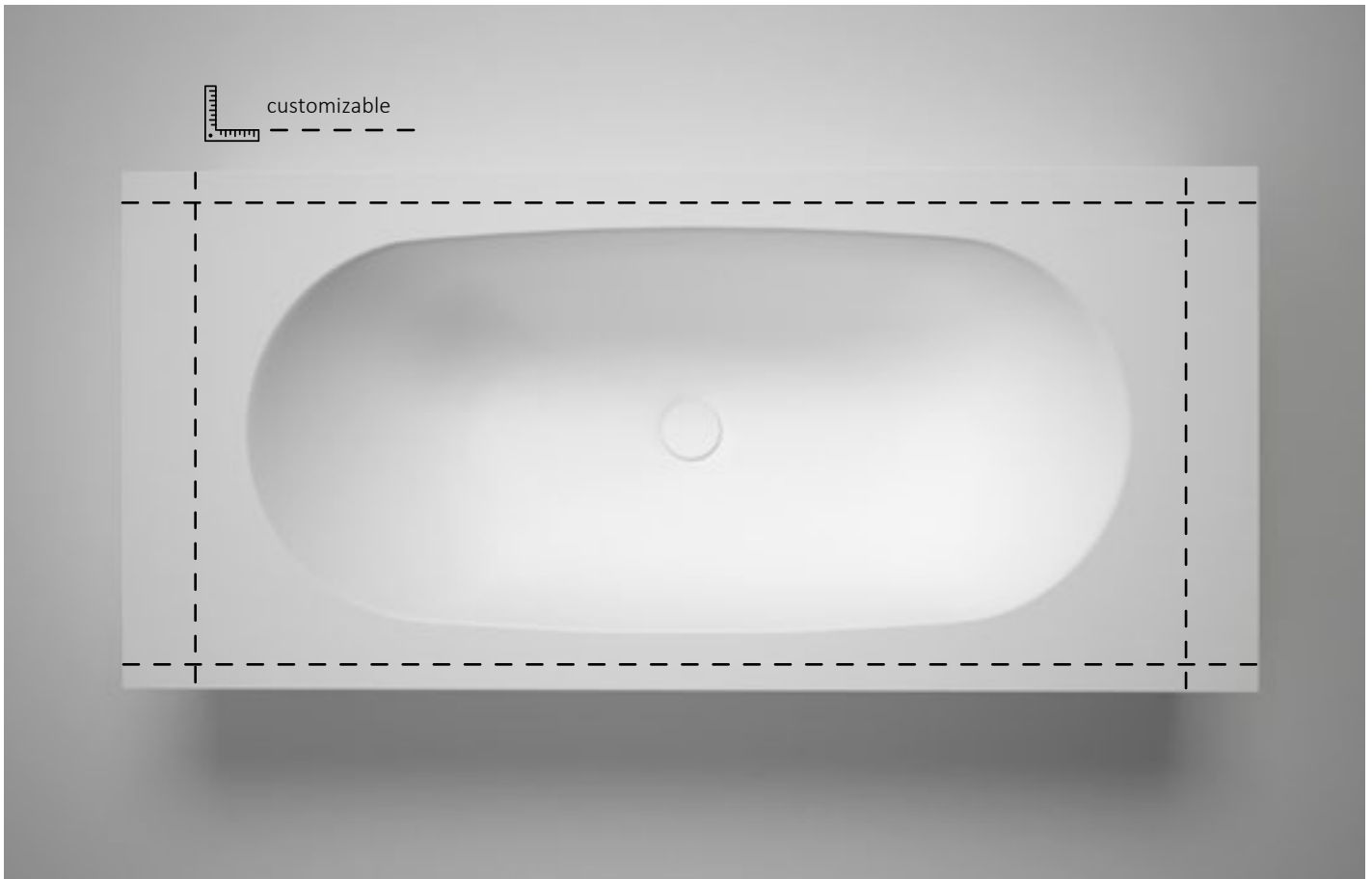


designer series

made to measure bathtubs



made to measure



Envisioned to support custom design solutions to meet any project specifications, Blu Bathworks® signature eco-friendly blu·stone™ collection has expanded to offer a range of made to measure, customizable bathtubs. Simply select your desired design and model, then customize dimensions to meet your specific design requirements, and allow lead-time from the approved order confirmation date. Additionally, further customization requirements like special drilling holes are available on request. The possibilities are endless.

Material:

blu·stone™
Solid Surface Material: 70%
quartzite + 30% bio-resin,
injection molded

Finish:

matte white (01M)
or
gloss white (01G)

Leadtime:

Any selection in the
Designer series require 20
weeks after drawing sign-
off

how to order

step 1 - select bathtub size

The first step in creating your custom blu-stone™ bathtub is to select the desired bathtub size.



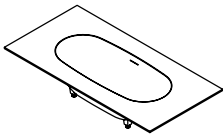
BT7000
end drain
as small as 60"



BT7100
center drain
at least 70"

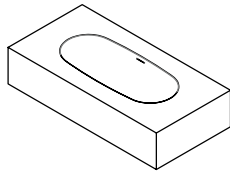
step 2 - choose bathtub design

Once you have decided on a bathtub size, you can then choose desired design that will best suit your needs.



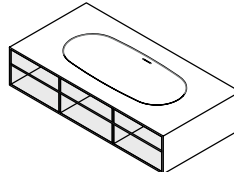
DECK / UNDERMOUNT

base unit
deck extension



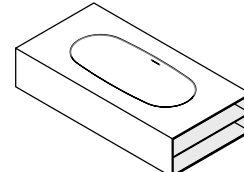
APRON / SKIRTS

base unit
front/back/side apron(s)



FRONT SHELVING

base unit
front shelving
back/side apron(s)

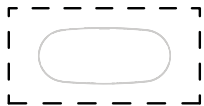


SIDE SHELVING

base unit
side shelving
front/back/side apron

step 3 - choose skirts & shelves options

Once you have decided on a bathtub design, you can then complete design details that will best suit your needs.



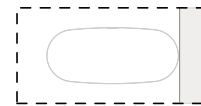
60" - BT7000
70" - BT7100
all sides



60" - BT7010
70" - BT7110 front



60" - BT7031
70" - BT7131
2 sides



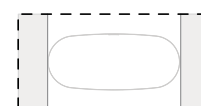
60" - BT7042
70" - BT7142 front,
back + 2 sides



60" - BT7020
70" - BT7120
front + 1 side Listing



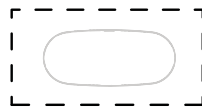
60" - BT7041
70" - BT7141
back + 2 sides



60" - BT7043
70" - BT7143
front, back + 2 sides



60" - BT7030
70" - BT7130
front + 2 sides Listing



60" - BT7040
70" - BT7140
front, back + 2 sides

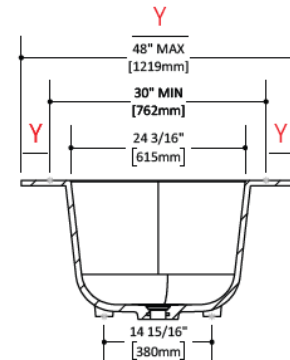
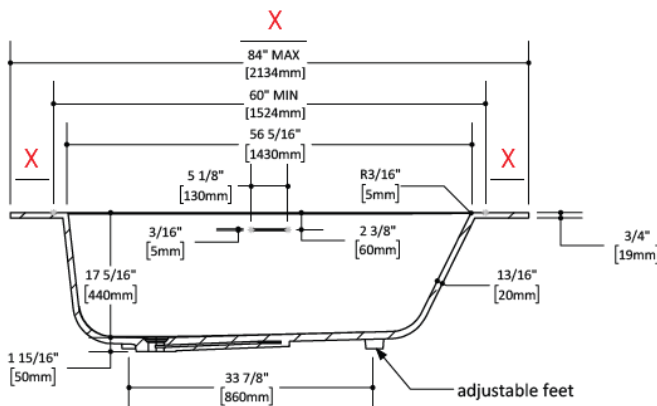
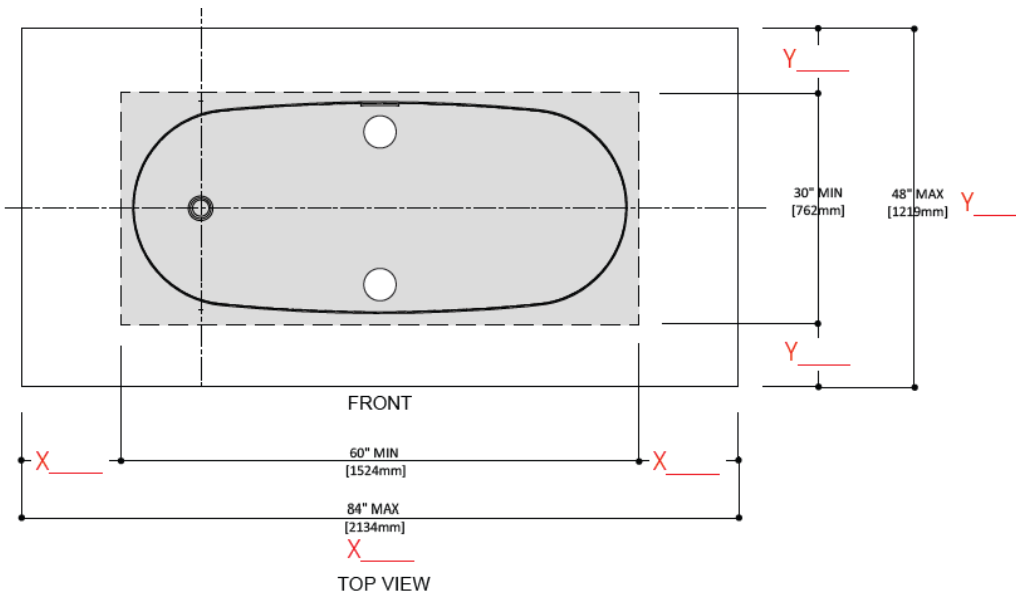
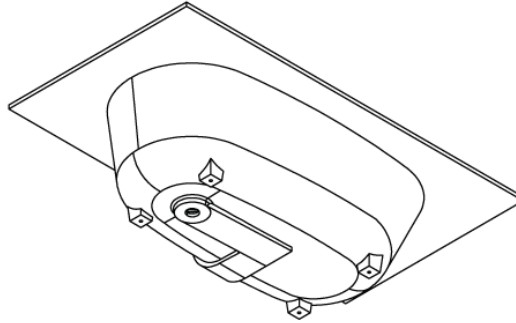
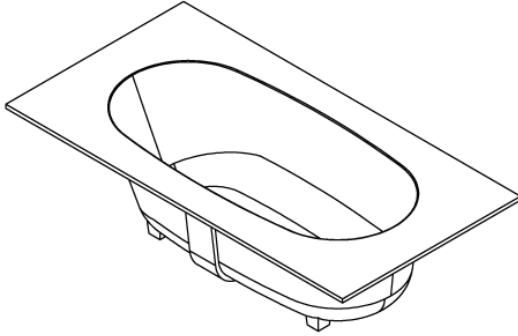
step 4 - complete order template

Each bathtub model, shown above, has a custom order template included within the specification sheet. Upon completing and submitting your custom bathtub order template, a Blu Bathworks customer service representative will contact you with confirmation & a technical drawing will be created for final review and approval. Orders require a 50% non-refundable deposit at time of acceptance.

sample order template example

** Please fill in the red section of the form **

BT7000



Tolerances Rate: L +/- 10mm, W +/-5mm

| | |
|----------------------|----------------------|
| Order Reference No.: | Approved Signature*: |
| Project Name: | |
| Product SKU: | |
| Start Date: | Approved Date: |

*Please ensure all required selections/dimensions are provided and correct prior to signing

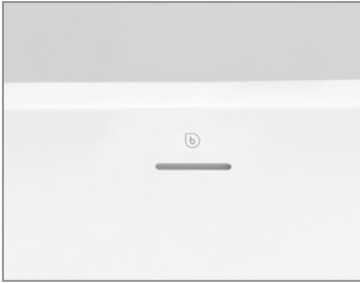


acrylic bathtubs



features + benefits

Modern sophistication meets effortless functionality with Blu Bathworks selection of white matte or high gloss European-style acrylic bathtubs. Compact by design, these one-piece acrylic bathtubs require no assembling, making them manageable and easy to install in any bathroom environment.



Durable + Integral Slot Overflow

Constructed with high-quality Lucite acrylic ensures durability and ease of repair. With a range of timeless designs for product longevity, Blu's acrylic bathtub minimizes waste and energy consumption.

Both blu-stone™ and acrylic bathtubs share the same integral slot overflow design, ensuring a seamless design and look in every bathroom.



Anti-Rust Steel Frame + Adjustable Legs

Hidden underneath Blu Bathworks acrylic bathtubs are anti-rust steel frames to give the product extra reinforcement to ensure strength and longevity.

The addition of four adjustable legs will ensure the weight of the water is evenly distributed and the bathtub is installed perfectly leveled with the ground.



Light Weight

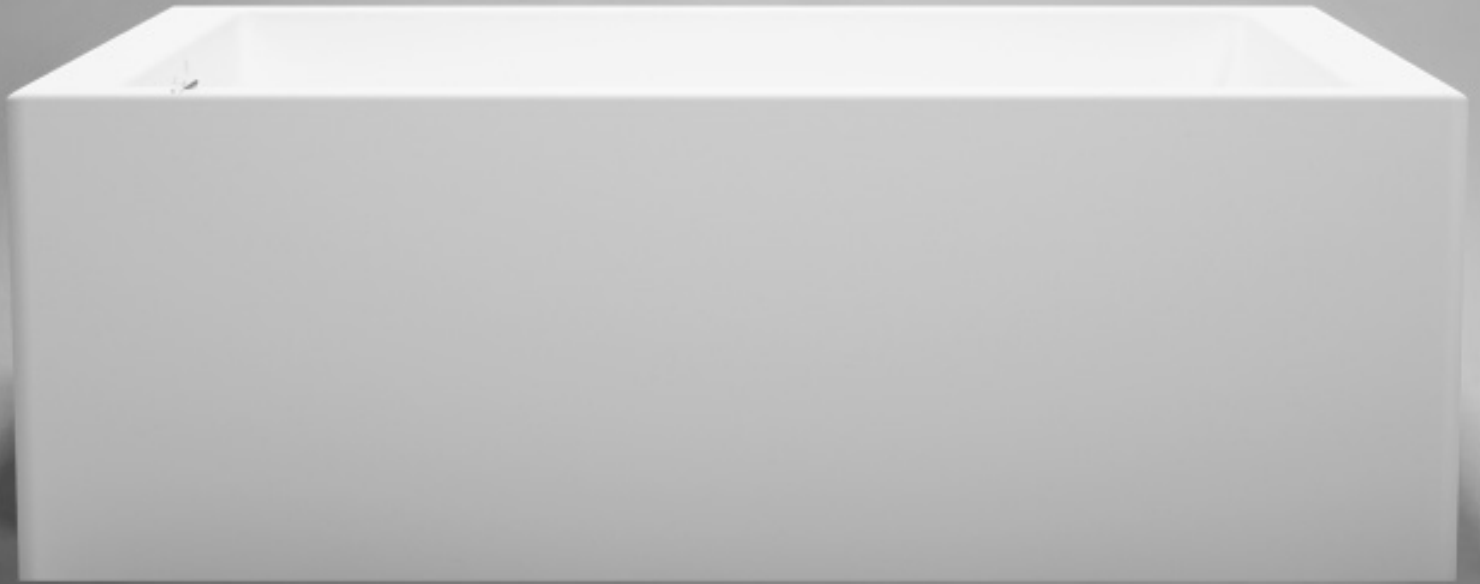
Acrylic bathtubs by Blu are light in weight making them perfect for apartments or weight restricted areas. The lighter weight also makes moving and installing an acrylic bathtub an ease.



Matte Finish

Blu Bathworks acrylic bathtubs in a modern white matte finish ensures a seamless design aesthetic throughout the home, eliminating any sacrifices for style and comfort at affordable price points.

colors + finishes



acrylic bathtub box-1 BT8001-01M

Material:

Acrylic

Acrylic bathtubs are made of vacuum-formed sheets of acrylic, reinforced for added durability

finishes

Gloss: European high-gloss evokes a clean and contemporary quality

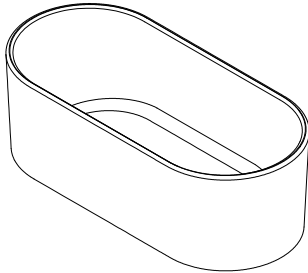
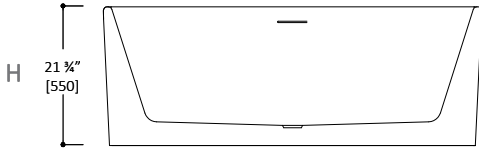
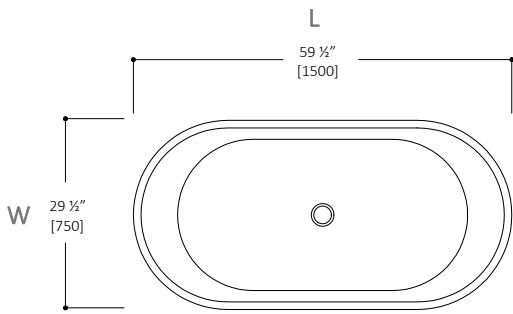
Matte: adding a modern touch and enhances design coordination

How to order matte Acrylic bathtubs:

Acrylic bathtub SKU + color & finish
eg. acrylic bathtub in White Matte (01M) finish = BT8004B16-01M

2026 New releases

freestanding - Echo Collection

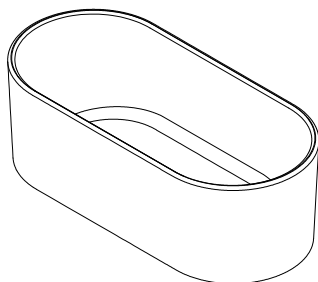
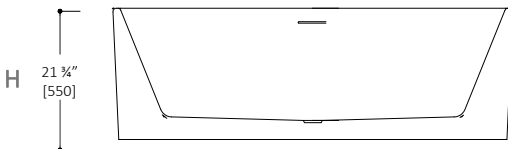
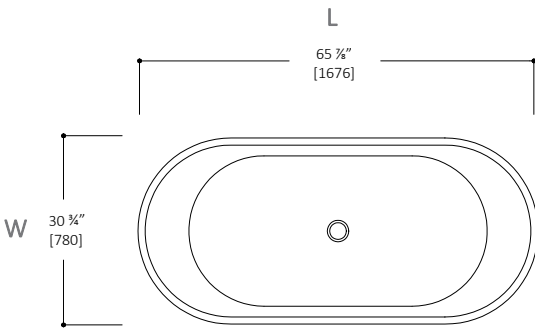


Echo 59

BT0402A59-01G (gloss white) *(in stock)*

BT0402A59-01M (matte white) *(in stock)*

- 59" L x 29 1/2" W x 21 3/4" H / 1650mm L x 800mm W x 550mm H
- Seamless, one-piece acrylic bathtub & integral slot overflow
- Center drain
- Capacity: 66G / 250L
- Includes matching white drain + waste cover
- Available in white acrylic gloss or matte finish



Echo 66

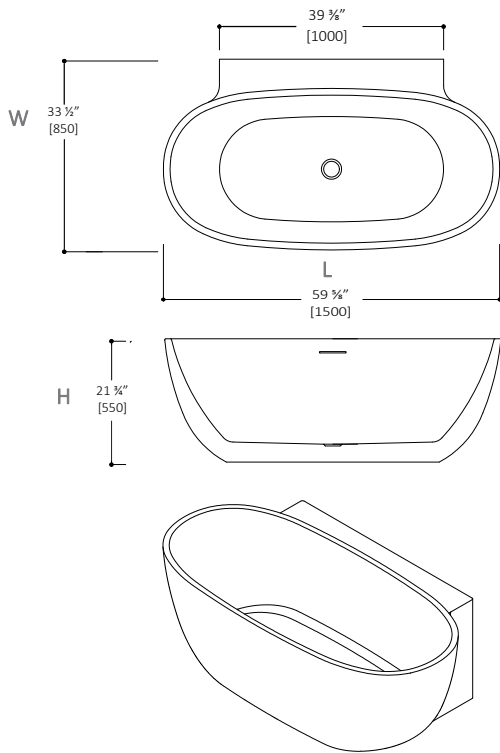
BT0402A66-01G (gloss white) *(in stock)*

BT0402A66-01M (matte white) *(in stock)*

- 66" L x 30 3/4" W x 21 3/4" H / 1676mm L x 780mm W x 550mm H
- Seamless, one-piece acrylic bathtub & integral slot overflow
- Center drain
- Capacity: 63G / 238L
- Includes matching white drain + waste cover
- Available in white acrylic gloss or matte finish

2026 New releases

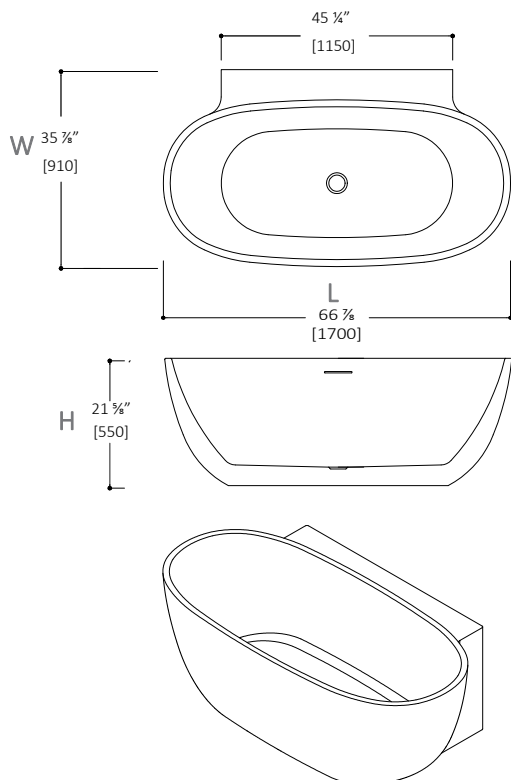
freestanding - Siena Collection



Siena BW 59

BT8006B15BW-01G (gloss white) *(in stock)*
BT8006B15BW-01M (matte white) *(in stock)*

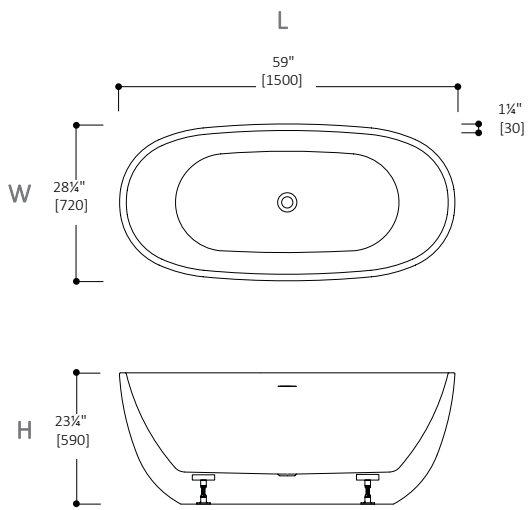
- 59" L x 33 1/2" W x 21 3/4" H / 1500mm L x 850mm W x 550mm H
- Seamless, one-piece acrylic bathtub & integral slot overflow
- Center drain
- Capacity: 63G / 238L
- Includes matching white drain + waste cover
- Available in white acrylic gloss or matte finish



Siena BW 67

BT8006B17BW-01G (gloss white) *(in stock)*
BT8006B17BW-01M (matte white) *(in stock)*

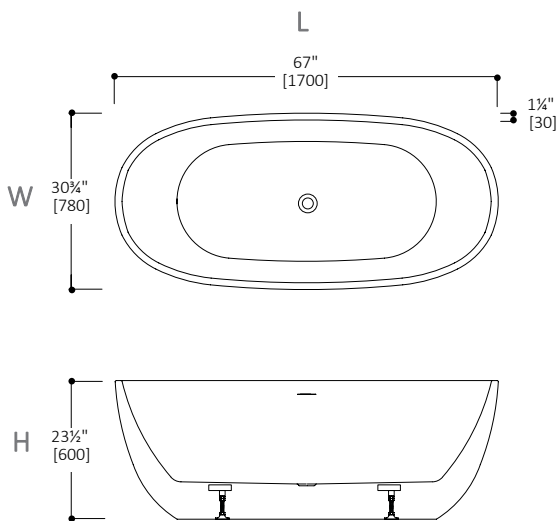
- 67" L x 35 3/4" W x 21 3/8" H / 1700mm L x 910mm W x 550mm H
- Seamless, one-piece acrylic bathtub & integral slot overflow
- Center drain
- Capacity: 79G / 300L
- Includes matching white drain + waste cover
- Available in white acrylic gloss or matte finish



Siena 59

| | | |
|----------------------|---------------|------------|
| BT8006B15-01G | (gloss white) | (in stock) |
| BT8006B15-01M | (matte white) | (in stock) |

- 59" L x 28 1/4" W x 23 3/4" H / 1500mm L x 720mm W x 590mm H
- Seamless, one-piece acrylic bathtub with thin rim & integral slot overflow
- Center drain
- Capacity: 63G / 240L
- Includes matching white drain + waste cover
- Available in white acrylic gloss or matte finish

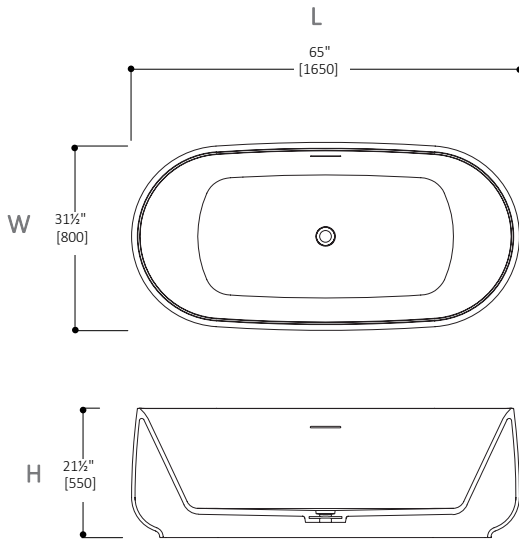


Siena 67

| | | |
|----------------------|---------------|------------|
| BT8006B17-01G | (gloss white) | (in stock) |
| BT8006B17-01M | (matte white) | (in stock) |

- 67" L x 30 3/4" W x 23 3/4" H / 1700mm L x 780mm W x 600mm H
- Seamless, one-piece acrylic bathtub with thin rim & integral slot overflow
- Center drain
- Capacity: 79G / 300L
- Includes matching white drain + waste cover
- Available in white acrylic gloss or matte finish

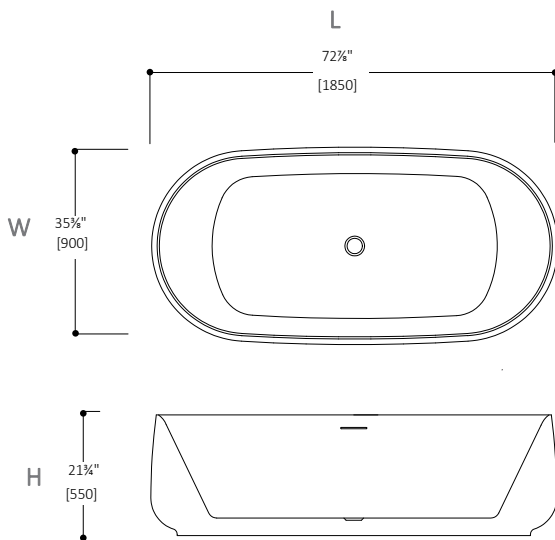
freestanding - Sereno Collection



Sereno 65

BT0207N16A- 01G (gloss white) (in stock)
BT0207N16A- 01M (matte white) (in stock)

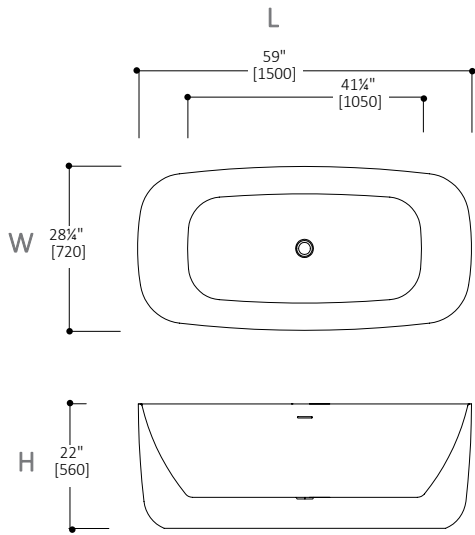
- 65" L x 31 1/2" W x 21 3/4" H / 1650mm L x 800mm W x 550mm H
- Seamless, one-piece acrylic bathtub & integral slot overflow
- Center drain
- Capacity: 63G / 238L
- Includes matching white drain + waste cover
- Available in white acrylic gloss or matte finish



Sereno 72

BT0207N18A- 01G (gloss white) (in stock)
BT0207N18A- 01M (matte white) (in stock)

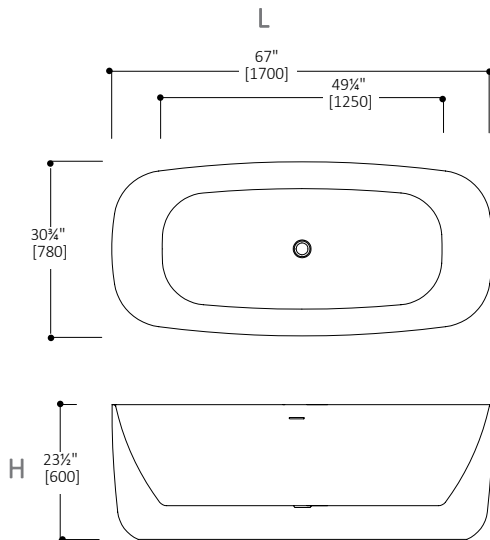
- 72" L x 35 3/8" W x 21 3/4" H / 1650mm L x 900mm W x 550mm H
- Seamless, one-piece acrylic bathtub & integral slot overflow
- Center drain
- Capacity: 100G / 380L
- Includes matching white drain + waste cover
- Available in white acrylic gloss or matte finish



Messina 59

BT8008B15-01G (gloss white) (in stock)
BT8008B15-01M (matte white) (in stock)

- 59" L x 28 3/4" W x 22" H / 1500mm L x 720mm W x 560mm H
- Seamless, one-piece acrylic bathtub with thin rim & integral slot overflow
- Center drain
- Capacity: 60G / 230L
- Includes matching white drain + waste cover
- Available in white acrylic gloss or matte finish

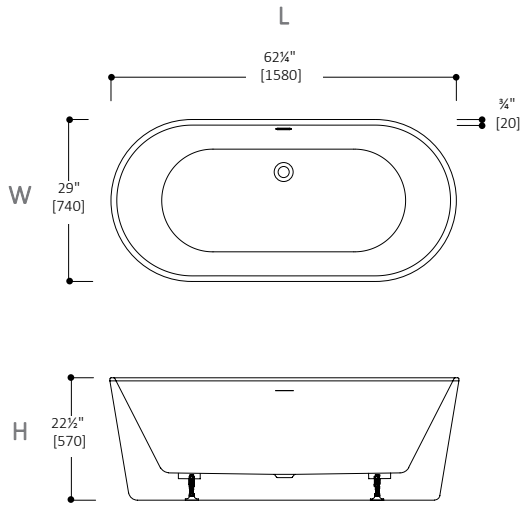


Messina 67

BT8008B17-01G (gloss white) (in stock)
BT8008B17-01M (matte white) (in stock)

- 67" L x 30 3/4" W x 23 1/2" H / 1700mm L x 780mm W x 600mm H
- Seamless, one-piece acrylic bathtub with thin rim & integral slot overflow
- Center drain
- Capacity: 74G / 280L
- Includes matching white drain + waste cover
- Available in white acrylic gloss or matte finish

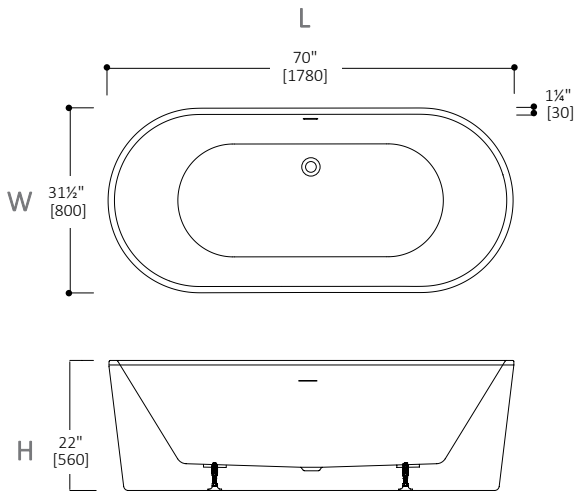
freestanding - Pisa Collection



Pisa 62

BT8004B16-01G (gloss white) (in stock)
BT8004B16-01M (matte white) (in stock)

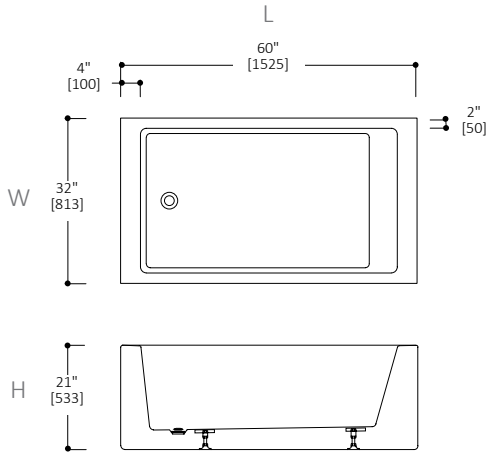
- 62 1/4" L x 29" W x 22 1/2" H / 1580mm L x 740mm W x 500mm H
- Seamless, one-piece acrylic bathtub with thin rim & integral slot overflow
- Off center drain
- Capacity: 66G / 250L
- Includes matching white drain + waste cover
- Available in white acrylic gloss or matte finish



Pisa 70

BT8004B18-01G (gloss white) (in stock)
BT8004B18-01M (matte white) (in stock)

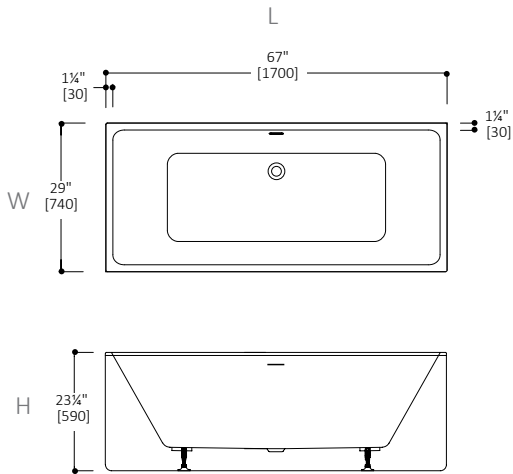
- 70" L x 31 1/2" W x 22" H / 1780mm L x 800mm W x 560mm H
- Seamless, one-piece acrylic bathtub with thin rim & integral slot overflow
- Capacity: 82G / 310L
- Off center drain
- Includes matching white drain + waste cover
- Available in white acrylic gloss or matte finish



Box 60

| | | |
|-------------------|---------------|------------|
| BT8001-01G | (gloss white) | (in stock) |
| BT8001-01M | (matte white) | (in stock) |

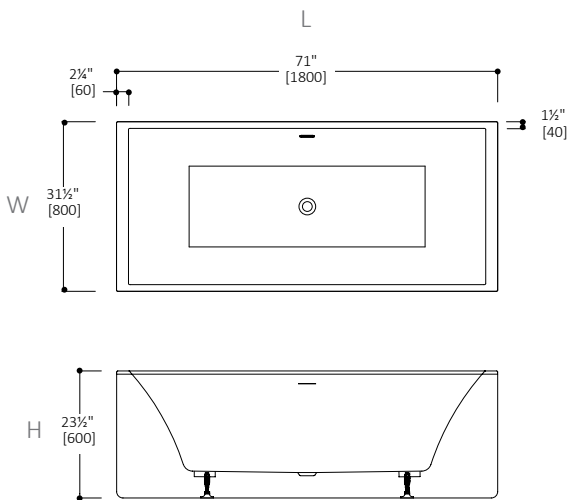
- 60" L x 32" W x 21" H / 1580mm L x 740mm W x 570mm H
- Seamless, one-piece acrylic bathtub with integral slot overflow
- End drain for versatile left/right drain installation
- Capacity: 68G / 258L
- Includes matching white drain + waste cover
- Only available in white acrylic gloss or matte finish
- Alcove installation requires separate tile flange, TF.BTSB



Box 67

| | | |
|-------------------|---------------|------------|
| BT8005-01G | (gloss white) | (in stock) |
| BT8005-01M | (matte white) | (in stock) |

- 67" L x 29" W x 23 3/4" H / 1700mm L x 740mm W x 590mm H
- Seamless, one-piece acrylic bathtub with thin rim & integral slot overflow
- Off center drain
- Capacity: 80G / 304L
- Includes matching white drain + waste cover
- Only available in white acrylic gloss or matte finish
- Alcove installation requires separate tile flange, TF.BTSB

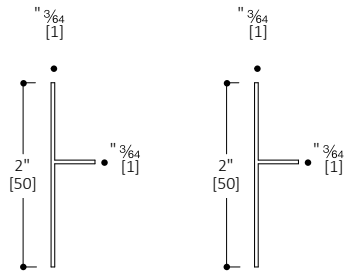


Box 71

| | | |
|-------------------|---------------|------------|
| BT8007-01G | (gloss white) | (in stock) |
| BT8007-01M | (matte white) | (in stock) |

- 71" L x 31 1/2" W x 23 3/4" H / 1800mm L x 800mm W x 600mm H
- Seamless, one-piece acrylic bathtub with integral slot overflow
- Capacity 80G / 303L
- Center drain
- Includes matching white drain + waste cover
- Only available in white acrylic gloss or matte finish
- Alcove installation requires separate tile flange, TF.BTSB

tile flange



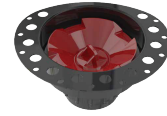
TF.BTSB

- Pair of 72" high density Polyethylene tile flanges
- Suitable for alcove bathtub and shower base installation

drains

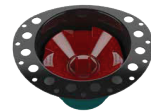
BTWaste.RN

- Freestanding tub rough-in, can be used for blu-stone™ & acrylic bathtubs (install before tile installation)
- 18 Gauge Epoxy coated Metal Deck Flange
- Designed to be installed in an 8"/10" joist space
- Can be installed with Waterproofing Membrane
- Brass tailpiece
- Built-in snap-off test cap - allows for water/air/smoke testing (rated to 30PSI)
- Material: Metal, ABS



BTWaste.RN.CI

- Freestanding tub rough-in, can be used for blu-stone™ & acrylic bathtubs (install before tile installation)
- 18 Gauge Epoxy coated Metal Deck Flange
- Designed to be installed in an 8"/10" joist space
- Brass tailpiece
- Built-in snap-off test cap - allows for water/air/smoke testing (rated to 30PSI)
- Material: ABS + Cast Iron body



BTWaste-01

- blu•stone™ Pop-Up Bathtub Waste w/of + chrome cap
- INCLUDED IN ALL BLU.STONE BATHTUBS.



BTWaste-02

- Acrylic pop-up bathtub waste- Polish chrome finish and a cap matching tub finish.
- INCLUDED IN ALL ACRYLIC BATHTUBS.



BTCap-W-01M

(matte white)

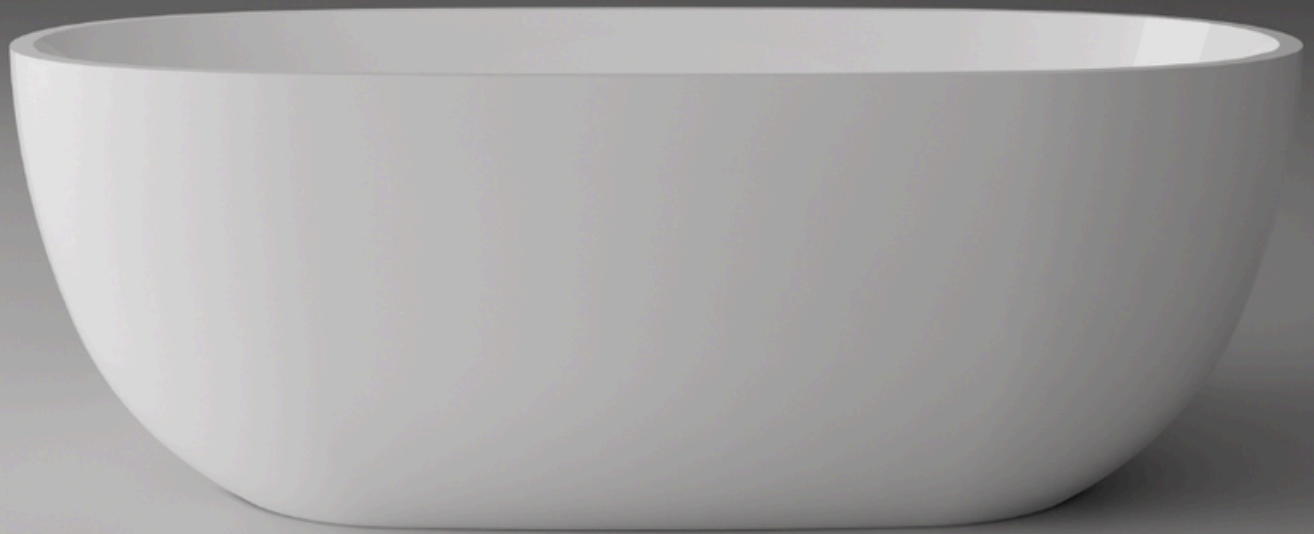
BTCAP-W-01G

(gloss white)

- Blu•Stone™ Pop-Up Bathtub Drain Flat Cover
- Available in all color and finishes
- INCLUDED IN ALL BLU.STONE BATHTUBS.



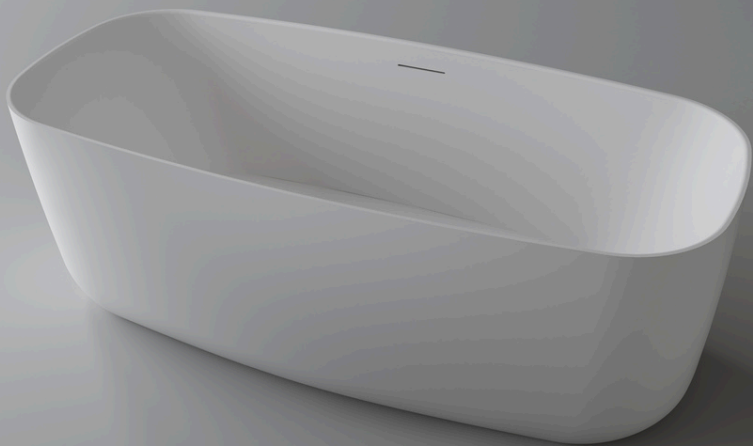
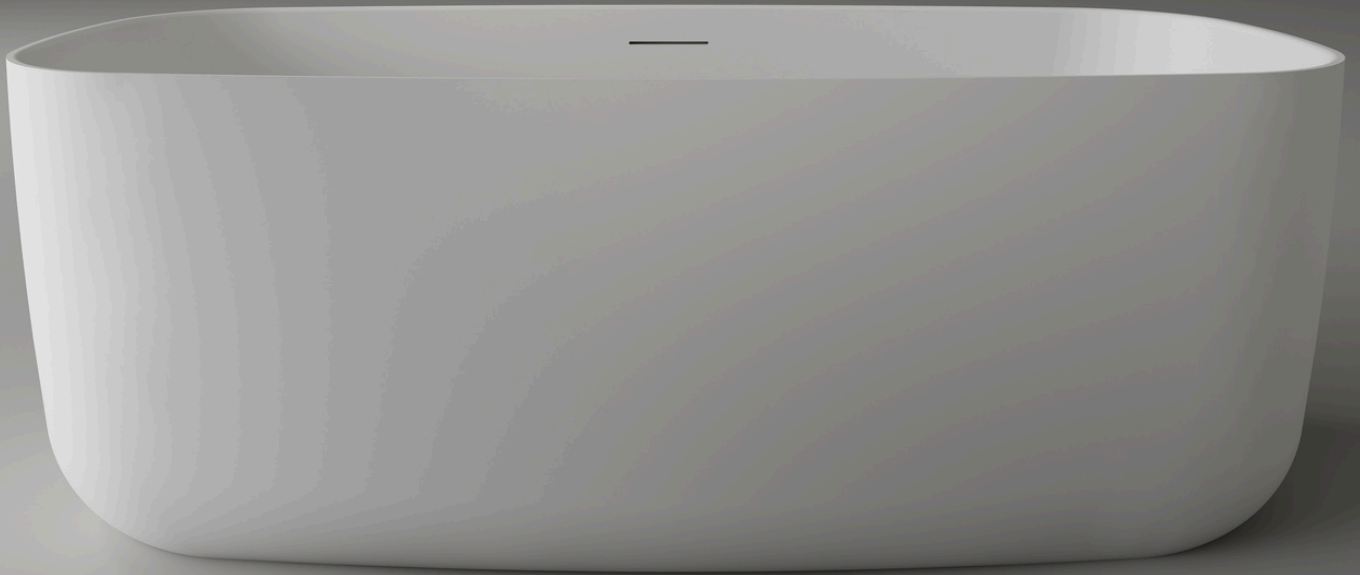
Siena



Siena back to wall



Messina



blu•stone™ basins

vessel
pedestal
vanity top
countertop
backsplash



features + benefits

The blu·stone™ basin collection continues to grow, building on the success of signature pieces such as the coco freestanding pedestal. This carefully curated collection includes a range of basin models for vessel, pedestal, and vanity top applications – all embodying the brand’s minimalist aesthetic and seamless design.



blu·stone™

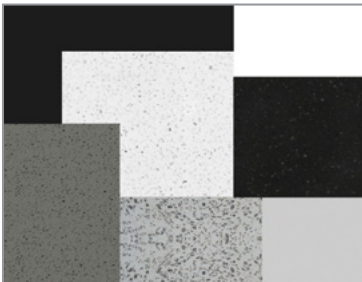
Basins are created from our signature blu·stone™ material that is high pressure injection molded from 70% quartzite. This dynamic material is durable and eco-friendly. Crafted in Italy, blu·stone™ requires less energy to produce and is recyclable and repairable in nature.



Durable, One-Piece Design

blu·stone™ basins are non-porous, stain and impact resistant making them hygienic and durable for daily uses. Easy to remove stains and can be readily repairable, blu·stone™ basins are perfect for any household.

Beautiful one-piece design offers a cleaner and more modern aesthetic. Also, there are no seams or cracks, making it easy to clean.



Colors + Finishes

A selection of blu·stone™ basins are available in a range of modern stone-like colors including quartz (white), marble (gray), slate (black) and more. Homogeneous in nature, the color is consistent throughout, resulting in a finish that will last a lifetime.



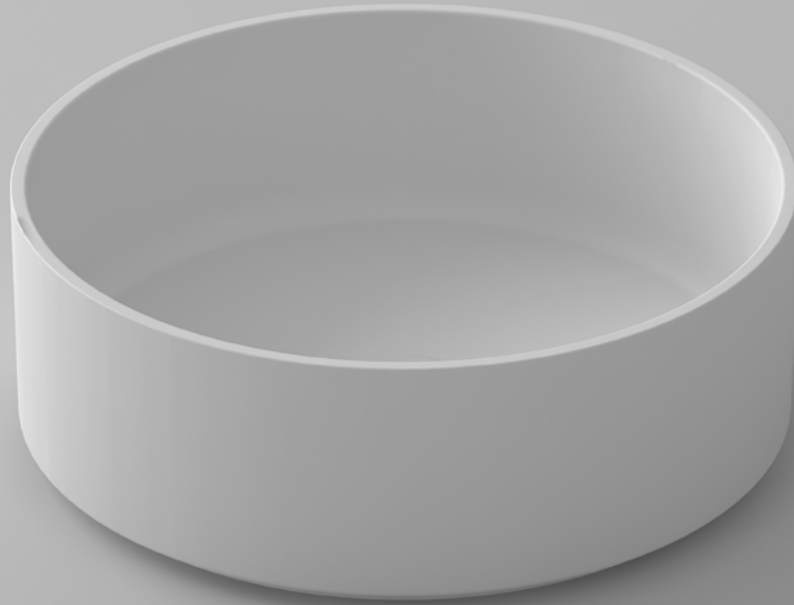
Design Flexibility

Besides being easily molded, blu·stone™ integrated vanity tops and countertops can be cut accordingly to fit projects on-site. Similar to wood’s tangibility, it can be sawed, drilled, milled, and ground with hard tipped tools.



blu-stone™ vessel basin metrix SA0305N37.01-01M
source series wall mixer handle 1343.00-AS
wall spout BC017-AS

colors + finishes



blu-stone™ vessel basin coco SA0107N37.01-01M

Material:

blu-stone™

Solid Surface Material: 70% quartzite + 30% bio-resin, injection molded

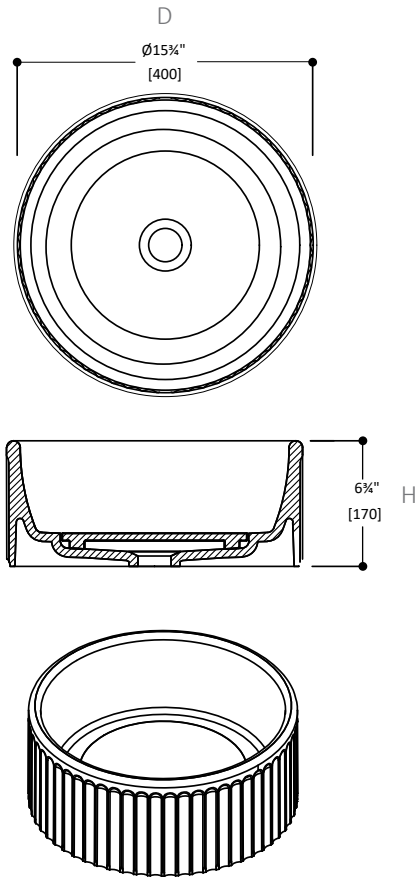
finishes

Matte: Visually luminous and highly tactile, matte finish is soft and almost warm to the touch and evokes a minimalist architectural quality

Gloss: High gloss finish is available for select blu-stone™ pieces, which adds a modern touch and enhances design coordination

How to order blu-stone™ basins:

Basin SKU + blu-stone™ color/finish code
eg. coco vessel basin in Quartz Gloss (02G) finish = SA0107N10-02G



Echo Fluted 15

SA0202.1FL-01M

(matte white)

(in stock)

SA0202.1FL-01G*

(gloss white)

(special order)

- 15 3/4" DIA. x 5 3/4" H / 400mm DIA x 170mm H
- Round blu·stone™ vessel basin without overflow, seamless design
- Includes matching blu·stone™ waste cover
- Available in a range of blu·stone™ colors + finishes
- Recommend SC015 or QTW-0121 push button waste (sold separately)

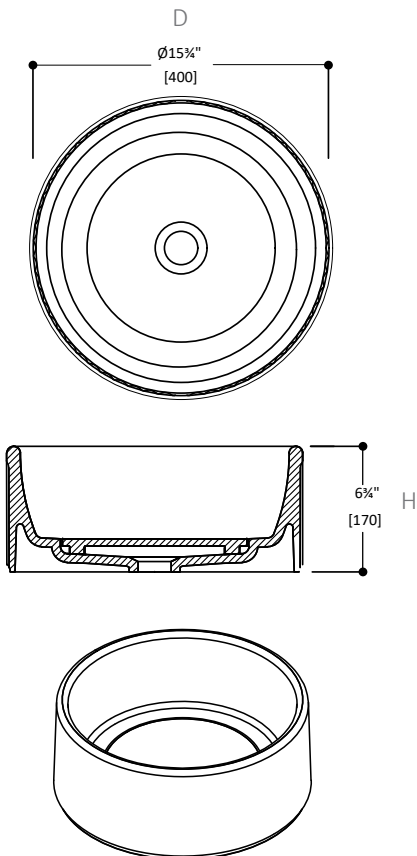
Special Order Finishes



*Special Order finishes require a 20+ week lead time

*Special Order finishes are Made to Order and non-returnable

*Any Sherwin Williams color is available without additional up-charge and based on 1 round of sample



Echo Non-Fluted 15

SA0202.1NF-01M

(matte white)

(in stock)

SA0202.1NF-01G*

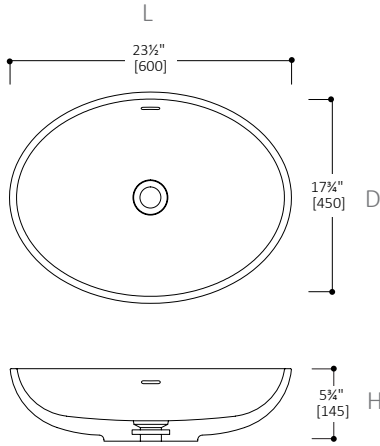
(gloss white)

(special order)

- 15 3/4" DIA. x 5 3/4" H / 400mm DIA x 170mm H
- Round blu·stone™ vessel basin without overflow, seamless design
- Includes matching blu·stone™ waste cover
- Available in a range of blu·stone™ colors + finishes
- Recommend SC015 or QTW-0121 push button waste (sold separately)

Special Order Finishes





Halo 23

SA0102.01-01M (matte white) (in stock)
SA0102.01-01G* (gloss white) (special order)

- 23 1/2" L x 17 1/4" D x 5 1/4" H / 600mm L x 450mm D x 145mm H
- Oval blu-stone™ countertop vessel basin with slot overflow
- Includes matching blu-stone™ waste cover
- Available in a range of blu-stone™ colors + finishes
- Recommend QTW-0121 push button waste; designed for use with blu-stone™

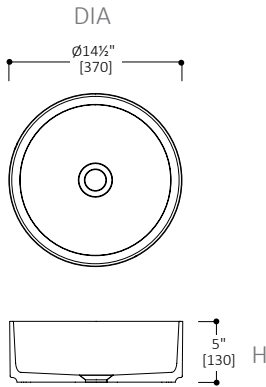
Special Order Finishes



*Special Order finishes require a 20+ week lead time

*Special Order finishes are Made to Order and non-returnable

*Any Sherwin Williams color is available without additional up-charge and based on 1 round of sample



Coco 14

SA0107N37.01-01M (matte white) (in stock)
SA0107N37.01-01G* (gloss white) (special order)

- 14 1/2" DIA x 5" H / 370mm DIA x 130mm H
- Round blu-stone™ countertop vessel basin without overflow
- Includes matching blu-stone™ waste cover
- Available in a range of blu-stone™ colors + finishes
- Recommend QTW-0120 push button waste; designed for use with blu-stone™ waste cover or SC015 universal push button waste

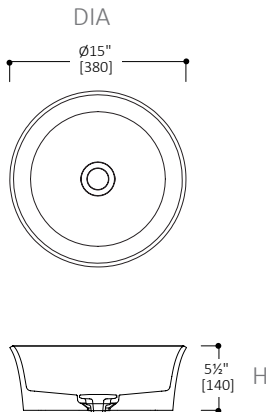
Special Order Finishes



*Special Order finishes require a 20+ week lead time

*Special Order finishes are Made to Order and non-returnable

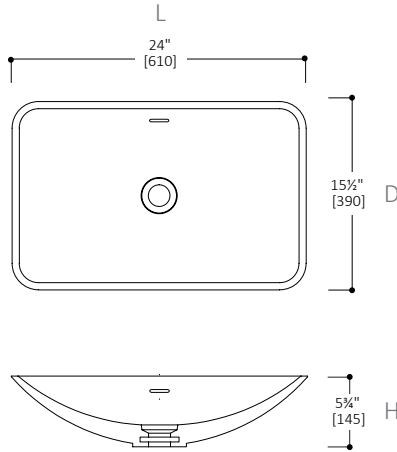
*Any Sherwin Williams color is available without additional up-charge and based on 1 round of sample



Luna 15

SA0107N38-01M (matte white) (in stock)

- 15" DIA x 5 1/2" H / 380mm DIA x 140mm H
- Round blu-stone™ countertop vessel basin without overflow
- Includes matching blu-stone™ waste cover
- Only available in White Matte finish
- Recommend QTW-0120 push button waste; designed for use with blu-stone™ waste cover or SC015 universal push button waste
- Limited stock item



Metrix 24

SA0204.01-01M
SA0204.01-01G*

(matte white)
 (gloss white)

(in stock)
 (special order)

- 24" L x 15½" D x 5¾" H / 610mm L x 390mm D x 145mm H
- Rectangular blu-stone™ countertop vessel basin with slot overflow
- Includes matching blu-stone™ waste cover
- Available in a range of blu-stone™ colors + finishes
- Recommend QTW-0121 push button waste; designed for use with blu-stone™

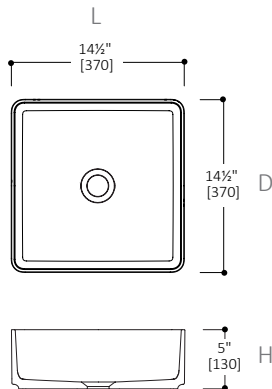
Special Order Finishes



*Special Order finishes require a 20+ week lead time

*Special Order finishes are Made to Order and non-returnable

*Any Sherwin Williams color is available without additional up-charge and based on 1 round of sample



Metrix 14

SA0209N37.01-01M
SA0209N37.01-01G*

(matte white)
 (gloss white)

(in stock)
 (special order)

- 14½" L x 14½" D x 5" H / 370mm L x 370mm D x 130mm H
- Square blu-stone™ countertop vessel basin without overflow
- Includes matching blu-stone™ waste cover
- Available in a range of blu-stone™ colors + finishes
- Recommend QTW-0120 push button waste; designed for use with blu-stone™ waste cover or SC015 universal push button waste

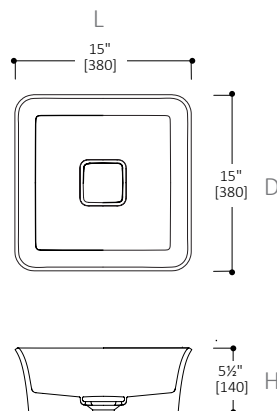
Special Order Finishes



*Special Order finishes require a 20+ week lead time

*Special Order finishes are Made to Order and non-returnable

*Any Sherwin Williams color is available without additional up-charge and based on 1 round of sample



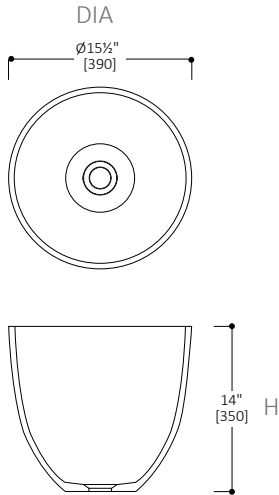
Luna 15

SA0209N38-01M

(matte white)

(in stock)

- 15" L x 15" D x 5½" H / 380mm L x 380mm D x 140mm H
- Square blu-stone™ countertop vessel basin without overflow
- Includes matching blu-stone™ waste cover
- Available in a range of blu-stone™ colors + finishes
- Recommend QTW-0120 push button waste; designed for use with blu-stone™ waste cover or SC015 universal push button waste
- Limited stock item



Coco 15

SA0107N10-01M

(matte white)

(in stock)

SA0107N10-01G*

(gloss white)

(special order)

- 15½" DIA x 14" H / 390mm DIA x 350mm H
- Round blu-stone™ countertop vessel basin without overflow
- Includes matching blu-stone™ waste cover
- Available in a range of blu-stone™ colors + finishes
- Recommend QTW-0120 push button waste; designed for use with blu-stone™ waste cover or SC015 universal push button waste

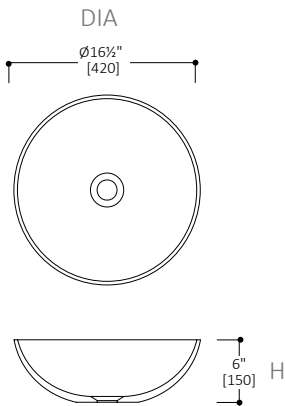
Special Order Finishes



*Special Order finishes require a 20 + week lead time

*Special Order finishes are Made to Order and non-returnable

*Any Sherwin Williams color is available without additional up-charge and based on 1 round of sample



Coco 16

SA0107N11-01M

(matte white)

(in stock)

SA0107N11-01G*

(gloss white)

(special order)

- 16½" DIA x 6" H / 420mm DIA x 150mm H
- Round blu-stone™ countertop vessel basin without overflow
- Includes matching blu-stone™ waste cover
- Available in a range of blu-stone™ colors + finishes
- Recommend QTW-0120 push button waste; designed for use with blu-stone™ waste cover or SC015 universal push button waste

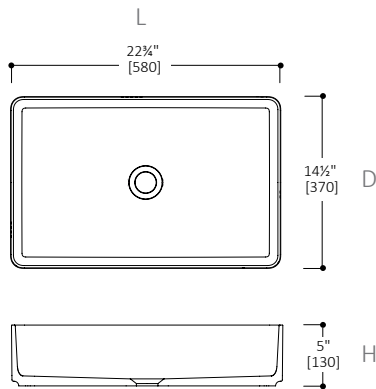
Special Order Finishes



*Special Order finishes require a 20 + week lead time

*Special Order finishes are Made to Order and non-returnable

*Any Sherwin Williams color is available without additional up-charge and based on 1 round of sample



Metrix 22

SA0305N37.01-01M

(matte white)

(in stock)

SA0305N37.01-01G*

(gloss white)

(special order)

- 22¾" L x 14½" D x 5" H / 580mm L x 370mm D x 130mm H
- Rectangular blu-stone™ countertop vessel basin without overflow
- Includes matching blu-stone™ waste cover
- Available in a range of blu-stone™ colors + finishes
- Recommend QTW-0120 push button waste; designed for use with blu-stone™ waste cover or SC015 universal push button waste

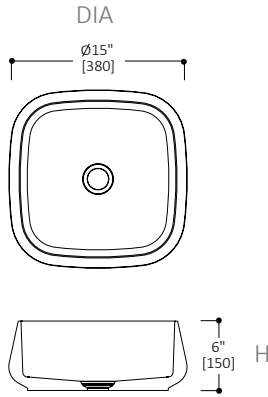
Special Order Finishes



*Special Order finishes require a 20 + week lead time

*Special Order finishes are Made to Order and non-returnable

*Any Sherwin Williams color is available without additional up-charge and based on 1 round of sample



Sereno 15

SA0208.01-01M (matte white) *(in stock)*
 SA0208.01-01G* (gloss white) *(special order)*

- 15" DIA x 6" H / 380mm DIA x 150mm H
- round blu·stone™ countertop vessel basin without overflow
- Includes matching blu·stone™ waste cover
- Available in a range of blu·stone™ colors + finishes
- Recommend QTW-0120 push button waste; designed for use with blu·stone™ waste cover or SC015 universal push button waste

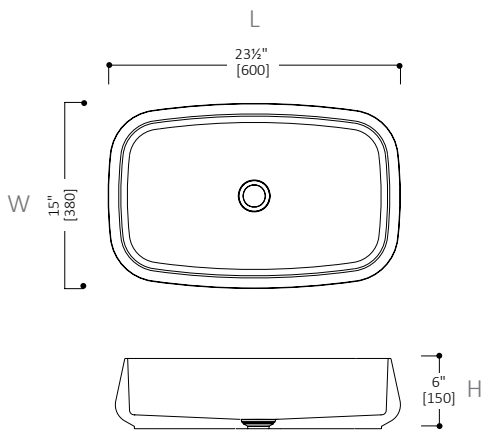
Special Order Finishes



**Special Order finishes require a 20 + week lead time*

**Special Order finishes are Made to Order and non-returnable*

**Any Sherwin Williams color is available without additional up-charge and based on 1 round of sample*



Sereno 23

SA0208N38-01M (matte white) *(in stock)*
 SA0208N38-01G* (gloss white) *(special order)*

- 23½" L x 15" W x 6" H / 600mm L x 380 W x 150mm H
- oval blu·stone™ countertop vessel basin without overflow
- Includes matching blu·stone™ waste cover
- Available in a range of blu·stone™ colors + finishes
- Recommend QTW-0120 push button waste; designed for use with blu·stone™ waste cover or SC015 universal push button waste

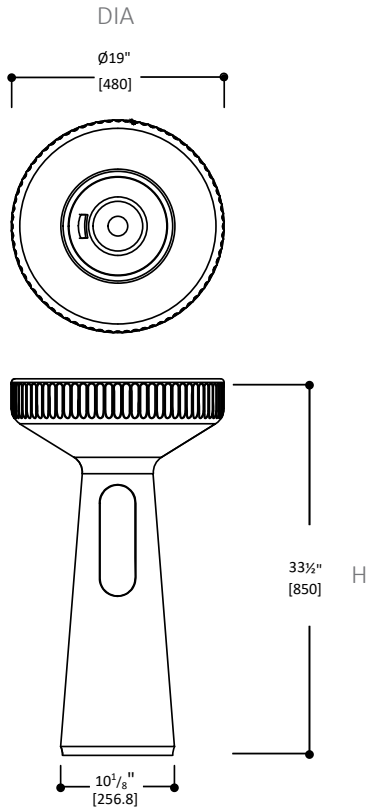
Special Order Finishes



**Special Order finishes require a 20 + week lead time*

**Special Order finishes are Made to Order and non-returnable*

**Any Sherwin Williams color is available without additional up-charge and based on 1 round of sample*



Echo Fluted 33

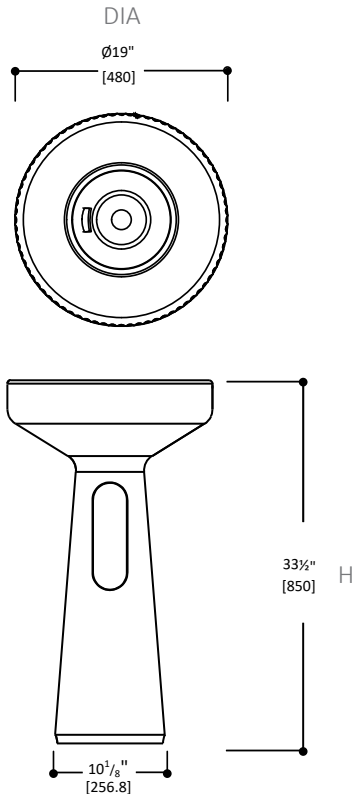
SA0502.1FL-01M (matte white) (in stock)
 SA0502.1FL-01G* (gloss white) (special order)

- 19" DIA. x 33½" H / 480mm DIA x 850mm H
- Cylindrical fluted blu·stone™ pedestal basin with slot overflow
- Includes matching blu·stone™ waste cover
- Free standing
- Available in a range of blu·stone™ colors + finishes
- Recommend SC015 or QTW-0121 push button waste (sold separately)

Special Order Finishes



*Special Order finishes require a 20+ week lead time
 *Special Order finishes are Made to Order and non-returnable
 *Any Sherwin Williams color is available without additional up-charge and based on 1 round of sample



Echo Non-Fluted 33

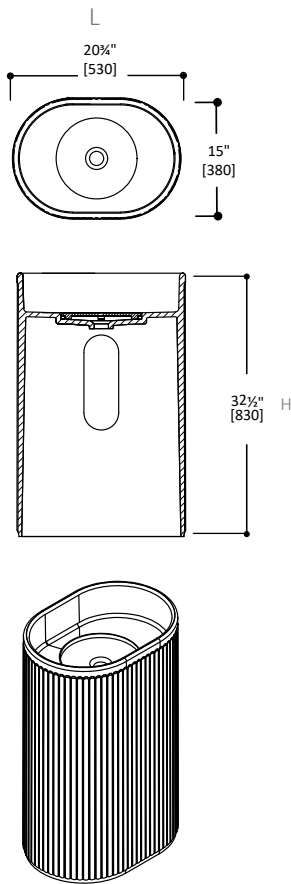
SA0502.1NF-01M (matte white) (in stock)
 SA0502.1NF-01G* (gloss white) (special order)

- 19" DIA. x 33½" H / 480mm DIA x 850mm H
- Cylindrical non-fluted blu·stone™ pedestal basin with slot overflow
- Includes matching blu·stone™ waste cover
- Free standing
- Available in a range of blu·stone™ colors + finishes
- Recommend SC015 or QTW-0121 push button waste (sold separately)

Special Order Finishes



*Special Order finishes require a 20+ week lead time
 *Special Order finishes are Made to Order and non-returnable
 *Any Sherwin Williams color is available without additional up-charge and based on 1 round of sample



Echo Fluted 32

SA0502.2FL-01M
SA0502.2FL-01G*

(matte white) (in stock)
(gloss white) (special order)

- 20 3/4" L x 15" D x 32 1/2" H / 530mm L x 380mm D x 830mm H
- Oval fluted blu·stone™ pedestal basin with integral slot overflow
- Includes matching blu·stone™ waste cover
- Free standing
- Available in a range of blu·stone™ colors + finishes
- Recommend SC015 or QTW-0121 push button waste (sold separately)

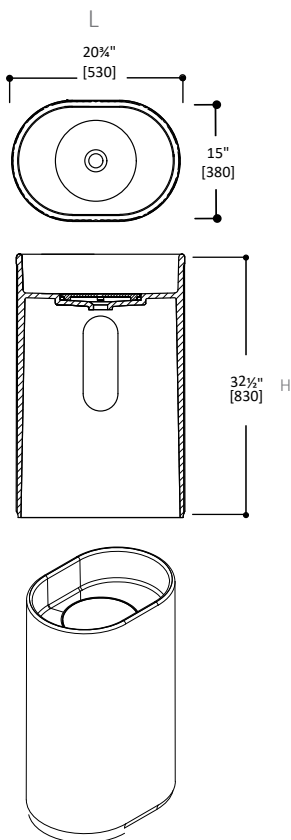
Special Order Finishes



*Special Order finishes require a 20+ week lead time

*Special Order finishes are Made to Order and non-returnable

*Any Sherwin Williams color is available without additional up-charge and based on 1 round of sample



Echo Non-Fluted 32

SA0502.2NF-01M
SA0502.2NF-01G*

(matte white) (in stock)
(gloss white) (special order)

- 20 3/4" L x 15" D x 32 1/2" H / 530mm L x 380mm D x 830mm H
- Oval non-fluted blu·stone™ pedestal basin with integral slot overflow
- Includes matching blu·stone™ waste cover
- Free standing
- Available in a range of blu·stone™ colors + finishes
- Recommend SC015 or QTW-0121 push button waste (sold separately)

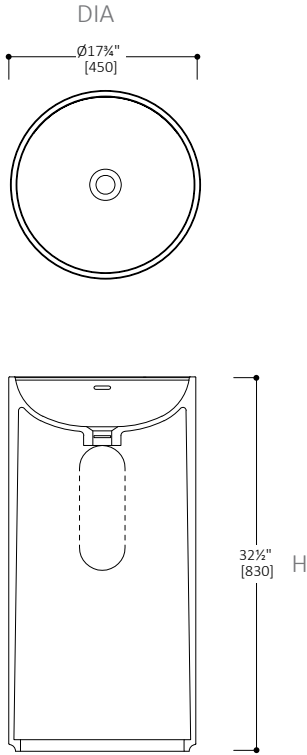
Special Order Finishes



*Special Order finishes require a 20+ week lead time

*Special Order finishes are Made to Order and non-returnable

*Any Sherwin Williams color is available without additional up-charge and based on 1 round of sample



Coco 32

SA0510.01-01M
SA0510.01-01G*

(matte white)
 (gloss white)

(in stock)
 (special order)

- 17¾" DIA x 32½" H / 450mm DIA x 830mm H
- Round blu·stone™ freestanding pedestal basin with slot overflow
- Includes matching blu·stone™ waste cover
- Available in a range of blu·stone™ colors + finishes
- Recommend QTW-0121 push button waste; designed for use with blu·stone™ waste cover or SC015 universal push button waste

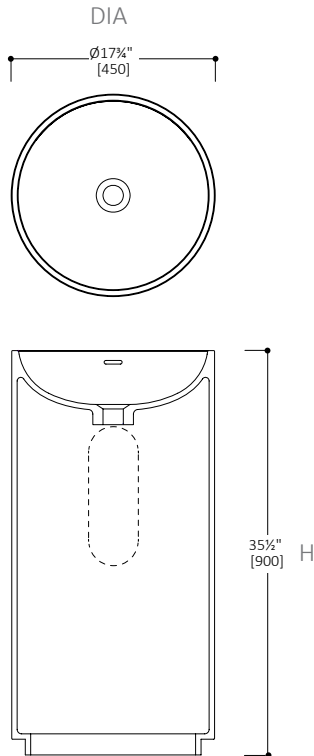
Special Order Finishes



*Special Order finishes require a 20 + week lead time

*Special Order finishes are Made to Order and non-returnable

*Any Sherwin Williams color is available without additional up-charge and based on 1 round of sample



Coco 35

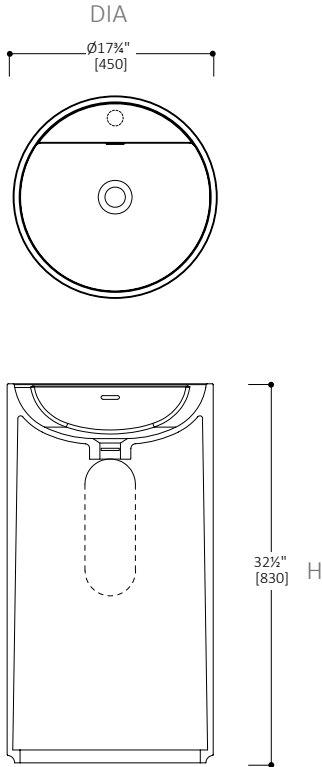
SA0510-01M

(matte white)

(in stock)

- 17¾" DIA x 35½" H / 450mm DIA x 900mm H
- Round blu·stone™ freestanding pedestal basin with slot overflow
- Includes matching blu·stone™ waste cover
- Only available in White Matte finish
- Recommend QTW-0121 push button waste; designed for use with blu·stone™ waste cover or SC015 universal push button waste
- Limited stock item

* dashed line is cut out for drain connection



Coco 32D

SA0511.01-01M

(matte white)

(in stock)

SA0511.01-01G*

(gloss white)

(special order)

- 17 1/4" DIA x 32 1/2" H / 450mm DIA x 830mm H
- Round blu-stone™ freestanding, single-hole pedestal basin with overflow
- Includes matching blu-stone™ waste cover
- Knockout pre-drilled for deck-mount faucet
- Available in a range of blu-stone™ colors + finishes
- Recommend QTW-0121 push button waste; designed for use with blu-stone™ waste cover or SC015 universal push button waste

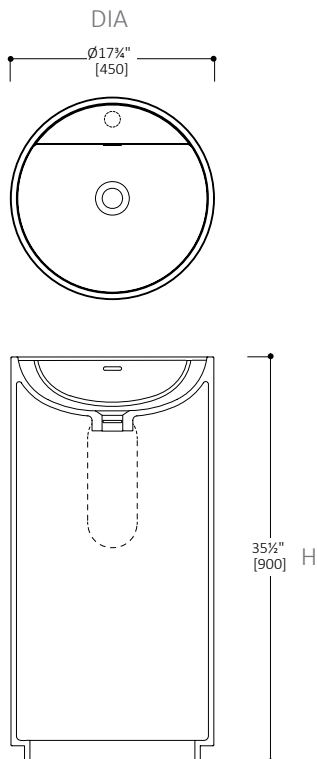
Special Order Finishes



*Special Order finishes require a 20+ week lead time

*Special Order finishes are Made to Order and non-returnable

*Any Sherwin Williams color is available without additional up-charge and based on 1 round of sample



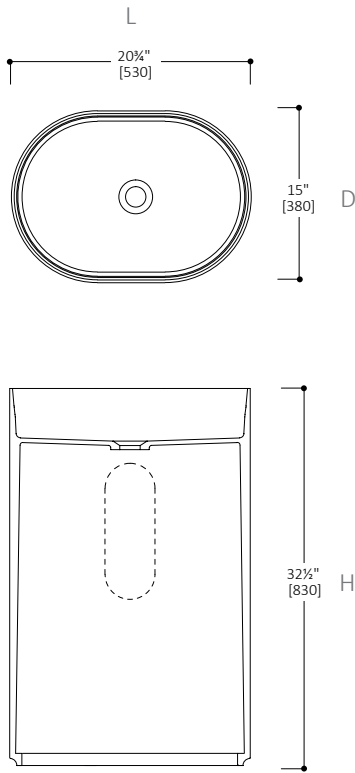
Coco 35D

SA0511-01M

- 17 1/4" DIA x 35 1/2" H / 450mm DIA x 900mm H
- Round blu-stone™ freestanding, single-hole pedestal basin with overflow
- Includes matching blu-stone™ waste cover
- Knockout pre-drilled for deck-mount faucet
- Only available in White Matte finish
- Recommend QTW-0121 push button waste; designed for use with blu-stone™ waste cover or SC015 universal push button waste
- Limited stock item

* dashed line is cut out for drain connection

pedestal



Halo 32

SA0512.01-01M
SA0512.01-01G*

(matte white)

(in stock)

(gloss white)

(special order)

- 20 3/4" L x 15" D x 32 1/2" H / 530mm L x 380mm D x 850mm H
- Oval blu-stone™ freestanding pedestal basin without overflow
- Includes matching blu-stone™ waste cover
- Available in a range of blu-stone™ colors + finishes
- Recommend QTW-0120 push button waste; designed for use with blu-stone™ waste cover or SC015 universal push button waste

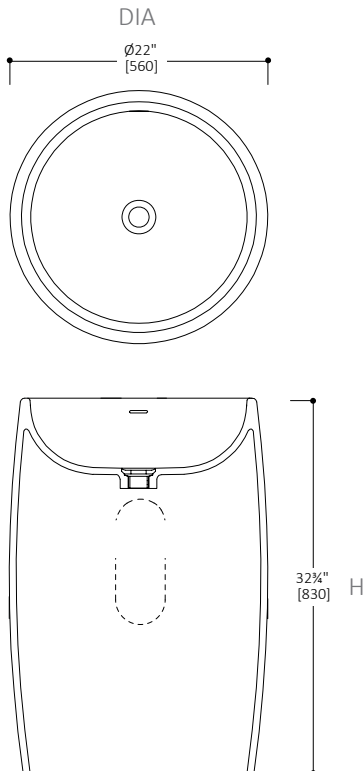
Special Order Finishes



*Special Order finishes require a 20 + week lead time

*Special Order finishes are Made to Order and non-returnable

*Any Sherwin Williams color is available without additional up-charge and based on 1 round of sample



Halo 32C

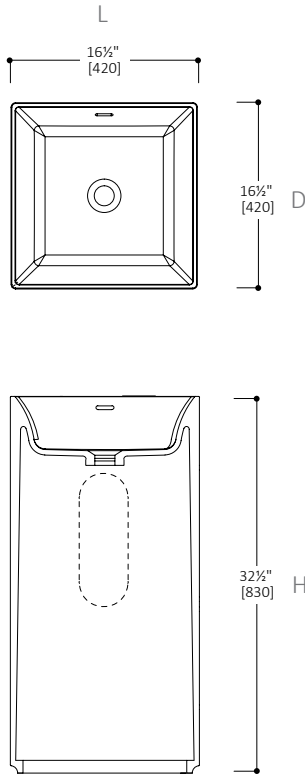
SA0507.01-01M

(matte white)

(in stock)

- 22" DIA x 32 1/2" H / 560mm DIA x 830mm H
- Round blu-stone™ freestanding pedestal basin with slot overflow
- Includes matching blu-stone™ waste cover
- Recommend QTW-0121 push button waste; designed for use with blu-stone™ waste cover or SC015 universal push button waste
- Limited stock item

* dashed line is cut out for drain connection



Metrix 32

SA0508.01-01M
SA0508.01-01G*

(matte white)

(in stock)

(gloss white)

(special order)

- 16½" L x 16½" D x 32½" H / 420mm L x 420mm D x 830mm H
- Square blu-stone™ freestanding pedestal basin with overflow
- Includes matching blu-stone™ waste cover
- Available in a range of blu-stone™ colors + finishes
- Recommend QTW-0121 push button waste; designed for use with blu-stone™ waste cover or SC015 universal push button waste

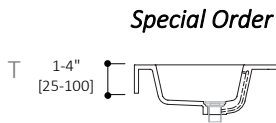
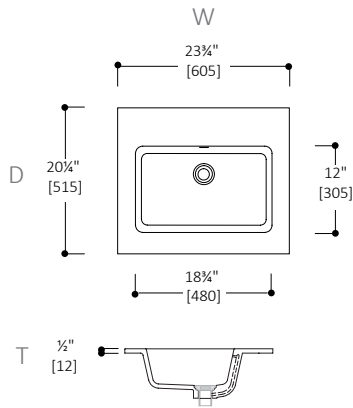
Special Order Finishes



*Special Order finishes require a 20+ week lead time

*Special Order finishes are Made to Order and non-returnable

*Any Sherwin Williams color is available without additional up-charge and based on 1 round of sample



Top 23

SA0600.01-01M
SA0600.01-01G*

(matte white)

(in stock)

(gloss white)

(special order)

- 23¾" W x 20¼" D x ½" T / 605mm W x 515mm D x 12mm T
- blu·stone™ vanity top with integrated basin and integral slot overflow
- Basin: 18¾" W x 5" H x 12" D / 480mm W x 128mm H x 305mm D
- Knockouts may be drilled on-site for deck-mount faucet
- Includes matching blu·stone™ waste cover
- Available in a range of blu·stone™ colors + finishes
- Designed to coordinate with series 600 51 collection vanity only
- Recommend QTW-0121 push button waste; designed for use with blu·stone™ waste cover or SC015 universal push button waste

Special Order Finishes

for ½" or 1" - 4" apron thickness:



*Special Order finishes require a 20+ week lead time

*Special Order finishes are Made to Order and non-returnable

*Any Sherwin Williams color is available without additional up-charge and based on 1 round of sample

Top 27

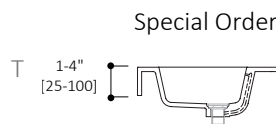
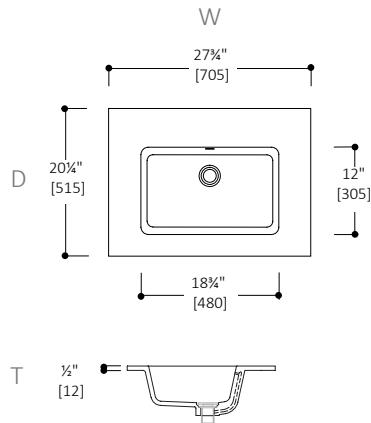
SA0700.01-01M
SA0700.01-01G*

(matte white)

(in stock)

(gloss white)

(special order)



- 27¾" W x 20¼" D x ½" T / 705mm W x 515mm D x 12mm T
- blu·stone™ vanity top with integrated basin and integral slot overflow
- Basin: 18¾" W x 5" H x 12" D / 480mm W x 128mm H x 305mm D
- Knockouts may be drilled on-site for deck-mount faucet
- Includes matching blu·stone™ waste cover
- Available in a range of blu·stone™ colors + finishes
- Designed to coordinate with series 700 45^o or 51 collection vanities (refer to pg 102 B)
- Recommend QTW-0121 push button waste; designed for use with blu·stone™ waste cover or SC015 universal push button waste

Special Order Finishes

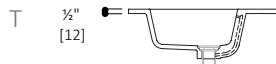
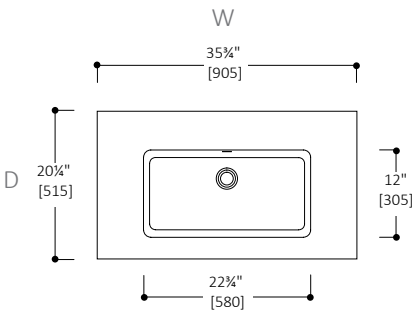
for ½" or 1" - 4" apron thickness:



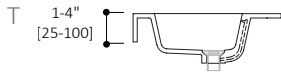
*Special Order finishes require a 20+ week lead time

*Special Order finishes are Made to Order and non-returnable

*Any Sherwin Williams color is available without additional up-charge and based on 1 round of sample



Special Order



Top 35

SA0900.01-01M

(matte white)

(in stock)

SA0900.01-01G*

(gloss white)

(special order)

- 35 1/4" W x 20 1/4" D x 1/2" T / 905mm W x 515mm D x 12mm T
- blu-stone™ vanity top with integrated basin and integral slot overflow
- Basin: 18 3/4" W x 5" H x 12" D / 480mm W x 128mm H x 305mm D
- Knockouts may be drilled on-site for deck-mount faucet
- Includes matching blu-stone™ waste cover
- Available in a range of blu-stone™ colors + finishes
- Designed to coordinate with series 900 45° or 51 collection vanities
- Recommend QTW-0121 push button waste; designed for use with blu-stone™ waste cover or SC015 universal push button waste

Special Order Finishes

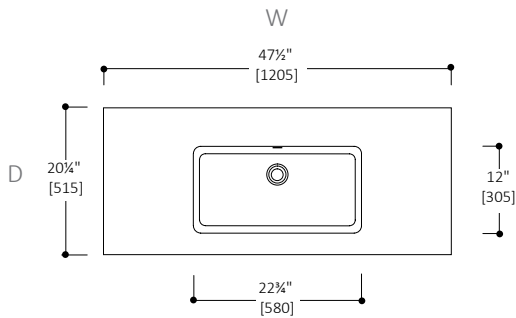
for 1/2" or 1" - 4" apron thickness:



*Special Order finishes require a 20+ week lead time

*Special Order finishes are Made to Order and non-returnable

*Any Sherwin Williams color is available without additional up-charge and based on 1 round of sample



Special Order



Top 47

SA1200.01-01M

(matte white)

(in stock)

SA1200.01-01G*

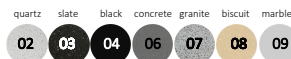
(gloss white)

(special order)

- 47 1/2" W x 20 1/4" D x 1/2" T / 1205mm W x 515mm D x 12mm T
- blu-stone™ vanity top with integrated basin and integral slot overflow
- Basin: 22 3/4" W x 5" H x 12" D / 580mm W x 128mm H x 305mm D
- Knockouts may be drilled on-site for deck-mount faucet
- Includes matching blu-stone™ waste cover
- Available in a range of blu-stone™ colors + finishes
- Designed to coordinate with series 1200 45° or 51 collection vanities
- Recommend QTW-0121 push button waste; designed for use with blu-stone™ waste cover or SC015 universal push button waste

Special Order Finishes

for 1/2" or 1" - 4" apron thickness:

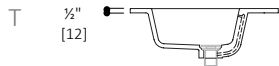
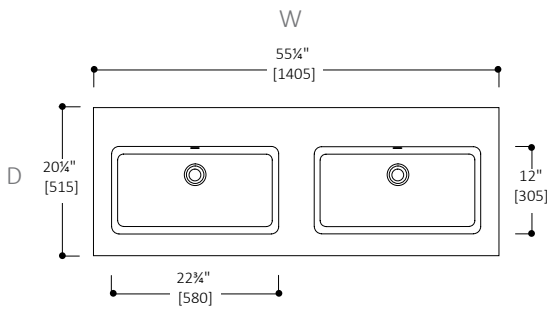


*Special Order finishes require a 20+ week lead time

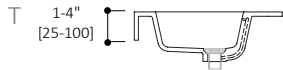
*Special Order finishes are Made to Order and non-returnable

*Any Sherwin Williams color is available without additional up-charge and based on 1 round of sample

vanity top



Special Order



Top 55

SA1400.01-01M
SA1400.01-01G*

(matte white)

(in stock)

(gloss white)

(special order)

- 55 1/4" W x 20 3/4" D x 1/2" T / 1405mm W x 515mm D x 12mm T
- blu·stone™ double vanity top with integrated basins and integral slot overflows
- Basins: 22 3/4" W x 5" H x 12" D / 580mm W x 128mm H x 305mm D
- Knockouts may be drilled on-site for deck-mount faucet
- Includes matching blu·stone™ waste covers
- Only available in White Matte or White Gloss finish
- Designed to coordinate with series 1400 45° or 51 collection vanities
- Recommend QTW-0121 push button waste; designed for use with blu·stone™ waste cover or SC015 universal push button waste (refer to pg 31 A)

Special Order Finishes

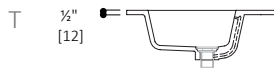
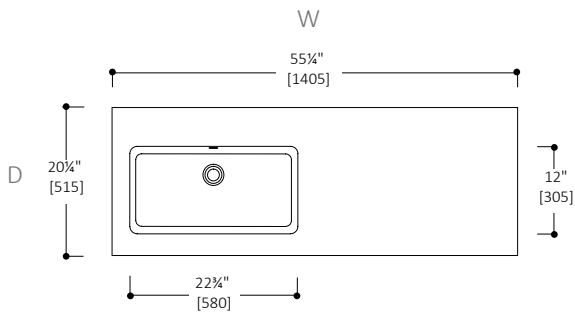
for 1/2" or 1" - 4" apron thickness:



*Special Order finishes require a 20+ week lead time

*Special Order finishes are Made to Order and non-returnable

*Any Sherwin Williams color is available without additional up-charge and based on 1 round of sample



Special Order



Top 55L

SA1401.01-01M
SA1401.01-01G*

(matte white)

(in stock)

(gloss white)

(special order)

- 55 1/4" W x 20 3/4" D x 1/2" T / 1405mm W x 515mm D x 12mm T
- blu·stone™ vanity top with integrated left offset basin and integral slot overflow
- Basin: 22 3/4" W x 5" H x 12" D / 580mm W x 128mm H x 305mm D
- Knockouts may be drilled on-site for deck-mount faucet
- Includes matching blu·stone™ waste cover
- Only available in White Matte or White Gloss finish
- Designed to coordinate with series 1400 45° or 51 collection vanities
- Recommend QTW-0121 push button waste; designed for use with blu·stone™ waste cover or SC015 universal push button waste

Special Order Finishes

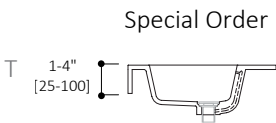
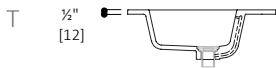
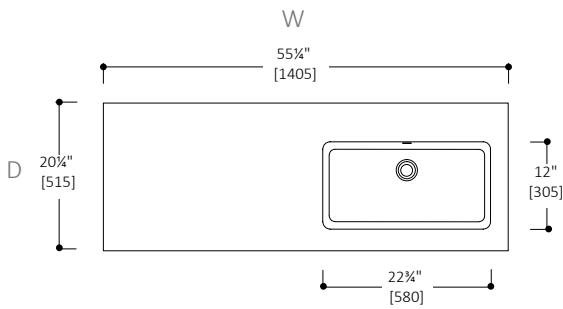
for 1/2" or 1" - 4" apron thickness:



*Special Order finishes require a 20+ week lead time

*Special Order finishes are Made to Order and non-returnable

*Any Sherwin Williams color is available without additional up-charge and based on 1 round of sample



Top 55R

SA1402.01-01M

(matte white)

(in stock)

SA1402.01-01G*

(gloss white)

(special order)

- 55¼" W x 20¼" D x ½" T / 1405mm W x 515mm D x 12mm T
- blu·stone™ vanity top with integrated right offset basin and integral slot overflow
- Basin: 22¾" W x 5" H x 12" D / 580mm W x 128mm H x 305mm D
- Knockouts may be drilled on-site for deck-mount faucet
- Includes matching blu·stone™ waste cover
- Only available in White Matte or White Gloss finish
- Designed to coordinate with series 1400 45° or 51 collection vanities
- Recommend QTW-0121 push button waste; designed for use with blu·stone™ waste cover or SC015 universal push button waste

Special Order Finishes

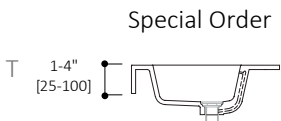
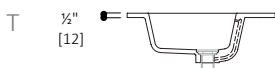
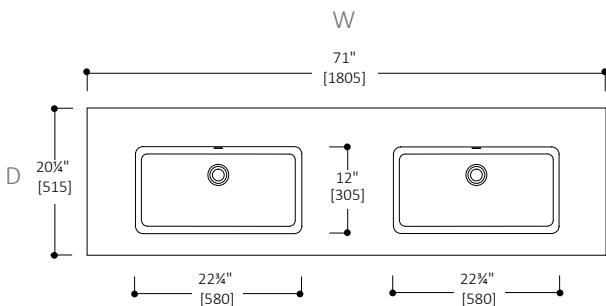
for ½" or 1" - 4" apron thickness:



*Special Order finishes require a 20+ week lead time

*Special Order finishes are Made to Order and non-returnable

*Any Sherwin Williams color is available without additional up-charge and based on 1 round of sample



Top 71

SA1800.01-01M

(matte white)

(in stock)

SA1800.01-01G*

(gloss white)

(special order)

- 71" W x 20¼" D x ½" T / 1805mm W x 515mm D x 12mm T
- blu·stone™ double vanity top with integrated basins and integral slot overflows
- Basins: 22¾" W x 5" H x 12" D / 580mm W x 128mm H x 305mm D
- Knockouts may be drilled on-site for deck-mount faucet
- Includes matching blu·stone™ waste covers
- Only available in White Matte or White Gloss finish
- Designed to coordinate with series 1800 45° or 51 collection vanities.
- Recommend QTW-0121 push button waste; designed for use with blu·stone™ waste cover or SC015 universal push button waste

Special Order Finishes

for ½" or 1" - 4" apron thickness:

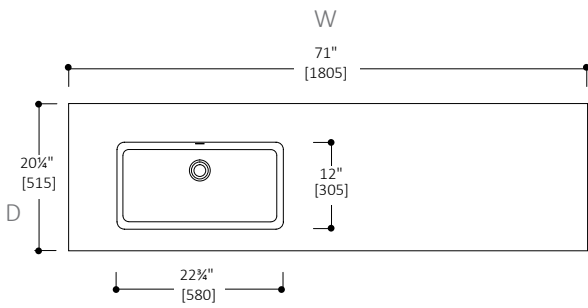


*Special Order finishes require a 20+ week lead time

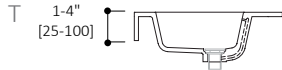
*Special Order finishes are Made to Order and non-returnable

*Any Sherwin Williams color is available without additional up-charge and based on 1 round of sample

vanity top



Special Order



Top 71L

SA1801.01-01M*

(matte white)

(in stock)

SA1801.01-01G*

(gloss white)

(special order)

- 71" W x 20 1/4" D x 1/2" T / 1805mm W x 515mm D x 12mm T
- blu·stone™ vanity top with integrated left offset basin and integral slot overflow
- Basin: 22 3/4" W x 5" H x 12" D / 580mm W x 128mm H x 305mm D
- Knockouts may be drilled on-site for deck-mount faucet
- Includes matching blu·stone™ waste cover
- Only available in White Matte or White Gloss finish
- Designed to coordinate with series 1800 45° or 51 collection vanities
- Recommend QTW-0121 push button waste; designed for use with blu·stone™ waste cover or SC015 universal push button waste

Special Order Finishes

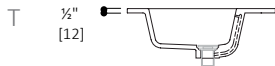
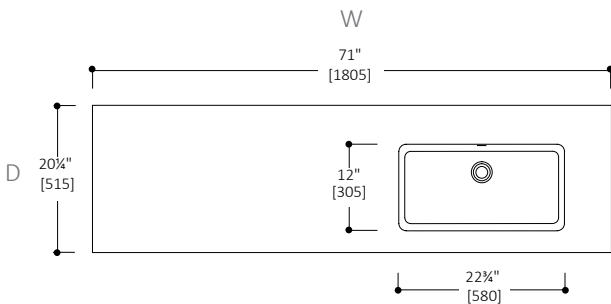
for 1/2" or 1" - 4" apron thickness:



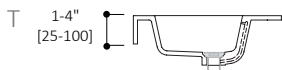
*Special Order finishes require a 20+ week lead time

*Special Order finishes are Made to Order and non-returnable

*Any Sherwin Williams color is available without additional up-charge and based on 1 round of sample



Special Order



Top 71R

SA1802.01-01M*

(matte white)

(in stock)

SA1802.01-01G*

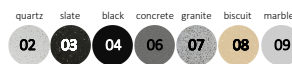
(gloss white)

(special order)

- 71" W x 20 1/4" D x 1/2" T / 1805mm W x 515mm D x 12mm T
- blu·stone™ vanity top with integrated right offset basin and integral slot overflow
- Basins: 22 3/4" W x 5" H x 12" D / 580mm W x 128mm H x 305mm D
- Knockouts may be drilled on-site for deck-mount faucet
- Includes matching blu·stone™ waste covers
- Only available in White Matte or White Gloss finish
- Designed to coordinate with series 1800 45° or 51 collection vanities
- Recommend QTW-0121 push button waste; designed for use with blu·stone™ waste cover or SC015 universal push button waste

Special Order Finishes

for 1/2" or 1" - 4" apron thickness:



*Special Order finishes require a 20+ week lead time

*Special Order finishes are Made to Order and non-returnable

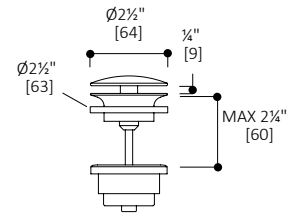
*Any Sherwin Williams color is available without additional up-charge and based on 1 round of sample

SC015

- Universal push button waste,
- Suitable for both overflow and no overflow applications
- Shrouded threads + tailpiece included with waste
- Stainless steel AISI316L

finish

- AS
- ON*
- OC*

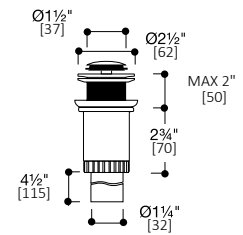


QTW-0120

- Push button waste without overflow
- Shrouded threads + tailpiece included with waste
- Stainless steel AISI316L
- Designed for use with blu·stone™ waste cover

finish

- AS

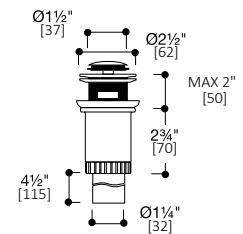


QTW-0121

- Push button waste with overflow
- Shrouded threads + tailpiece included with waste
- Stainless steel AISI316L
- Designed for use with blu·stone™ waste cover

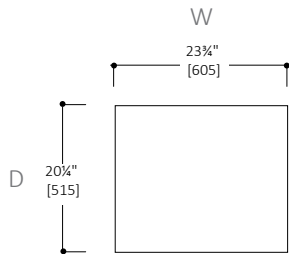
finish

- AS





vanity countertop

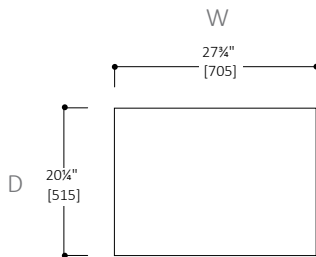


1/2" thickness

SAC0600.01-01M*

- 23 3/4" W x 20 1/4" D x 1/2" T / 605mm W x 515mm D x 12mm T
- blu·stone™ vanity countertop
- May be drilled on-site for deck-mount faucet installation
- Only available in White Matte finish
- Designed to coordinate with series 600 51 collection vanity only

**Special Order finishes require a 20+ week lead time*

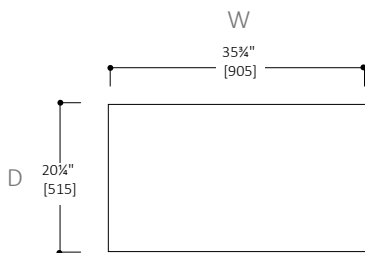


1/2" thickness

SAC0700.01-01M*

- 27 3/4" W x 20 1/4" D x 1/2" T / 705mm W x 515mm D x 12mm T
- blu·stone™ vanity countertop
- May be drilled on-site for deck-mount faucet installation
- Only available in White Matte finish
- Designed to coordinate with series 700 45° or 51 collection vanities

**Special Order finishes require a 20+ week lead time*



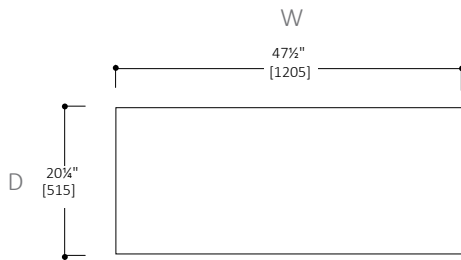
1/2" thickness

SAC0900.01-01M*

- 35 3/4" W x 20 1/4" D x 1/2" T / 905mm W x 515mm D x 12mm T
- blu·stone™ vanity countertop
- May be drilled on-site for deck-mount faucet installation
- Only available in White Matte finish
- Designed to coordinate with series 900 45° or 51 collection vanities

**Special Order finishes require a 20+ week lead time*

vanity countertop

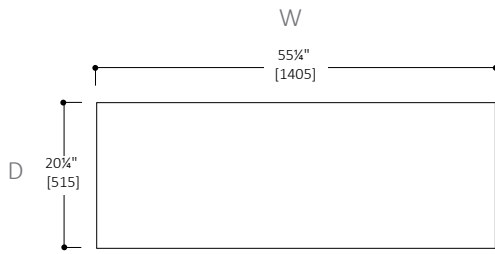


1/2" thickness

SAC1200.01-01M*

- 47 1/2" W x 20 1/4" D x 1/2" T / 1205mm W x 515mm D x 12mm T
- blu·stone™ vanity countertop
- May be drilled on-site for deck-mount faucet installation
- Only available in White Matte finish
- Designed to coordinate with series 1200 45° or 51 collection vanity

**Special Order finishes require a 20+ week lead time*

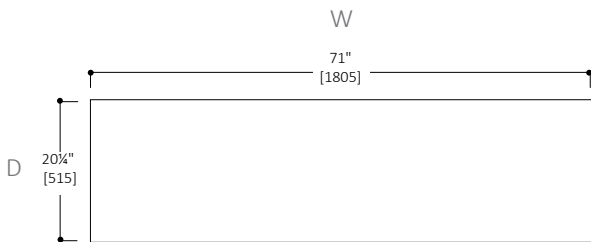


1/2" thickness

SAC1400.01-01M*

- 55 1/2" W x 20 1/4" D x 1/2" T / 1405mm W x 515mm D x 12mm T
- blu·stone™ vanity countertop
- May be drilled on-site for deck-mount faucet installation
- Only available in White Matte finish
- Designed to coordinate with series 1400 45° or 51 collection vanities

**Special Order finishes require a 20+ week lead time*



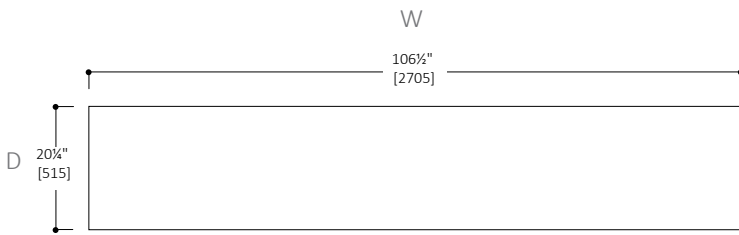
1/2" thickness

SAC1800.01-01M*

- 71" W x 20 1/4" D x 1/2" T / 1805mm W x 515mm D x 12mm T
- blu·stone™ vanity countertop
- May be drilled on-site for deck-mount faucet installation
- Only available in White Matte finish
- Designed to coordinate with series 1800 45° or 51 collection vanities .

**Special Order finishes require a 20+ week lead time*

vanity countertop



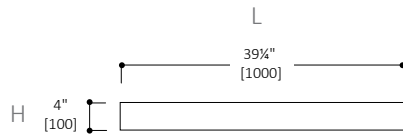
1/2" thickness

SAC2700.01-01M*

- 106 1/2" W x 20 1/4" D x 1/2" T / 2705mm W x 515mm D x 12mm T
- blu-stone™ vanity countertop
- May be drilled on-site for deck-mount faucet installation
- Can be cut to fit on-site
- Only available in White Matte finish
- Coordinate with custom-built vanities or with multiple 45° or 51 collection vanity combinations, including:
 - 3x series 900 vanities,
 - 2x series 1200 vanities
 - 1x series 1400 vanity + 1x series 900 vanity
 - 1x series 1800 vanity + 1x series 900 vanity
 - 1x series 1800 vanity, allowing for additional counter space

*Special Order finishes require a 20+ week lead time

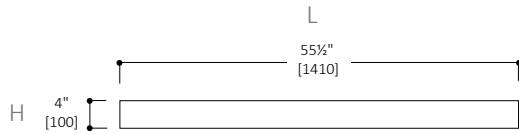
vanity backsplash



1/2"thickness

SABS1000.01-01M*

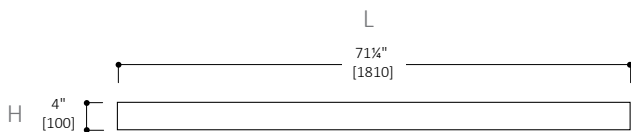
- 39 1/4" W x 4" H x 1/2" D / 1000mm W x 100mm H x 12mm D
- Seamless, blu·stone™ vanity backsplash
- Can be cut to fit on-site
- Only available in White Matte finish
- Coordinate with 45° or 51 collection vanities including: series 600 / 700 / 900



1/2"thickness

SABS1400.01-01M*

- 55 1/2" W x 4" H x 1/2" D / 1410mm W x 100mm H x 12mm D
- Seamless, blu·stone™ vanity backsplash
- Can be cut to fit on-site
- Only available in White Matte finish
- Coordinate with 45° or 51 collection vanities including: series 1200 (to be cut on-site) / 1400



1/2"thickness

SABS1800.01-01M*

- 71 1/4" W x 4" H x 1/2" D / 1810mm W x 100mm H x 12mm D
- Seamless, blu·stone™ vanity backsplash
- Can be cut to fit on-site
- Only available in White Matte finish
- Coordinate with 45° or 51 collection vanities including: series 1800

Echo Pedestal





blu·stone™

designer series

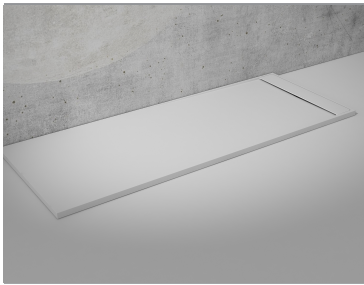
shower bases



blu·stone™ shower base SB3684-01M

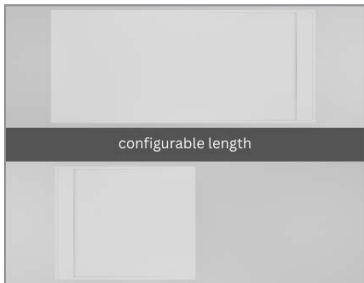
features + benefits

Blu Bathworks blu-stone™ shower bases are crafted from our signature, eco-friendly blu-stone™ material, offering a sleek, low-profile 1¼" threshold for a seamless, modern look. Unlike traditional tile showers, they install faster, with lower costs and minimal maintenance, no grout lines to clean or risk of leaks. Designed for exceptional durability, they are available in multiple lengths with 32" or 36" width options and can be cut on-site for a precise fit, providing greater design flexibility.



blu-stone™

Shower bases are molded from our blu-stone™ material that looks and feels like natural stone. This 70% quartzite, high pressure injection mold is exceptionally durable, repairable, and is both stain and scratch resistant. Also, our blu-stone™ shower bases do not require regular maintenance like tile and alternative materials, such as resealing grout.



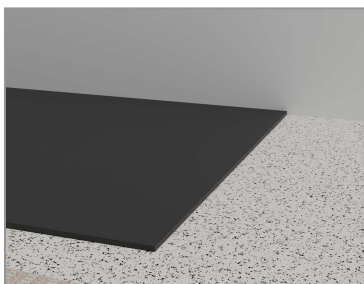
Design Flexibility

This versatile shower base offers adjustable length customization from 48" to 96" , making it ideal for new construction and renovations. Designed for adaptability, it can be trimmed on-site to fit unique layouts or work around architectural constraints. With multiple width options and center drain configurations, it accommodates various installation needs. For a seamless aesthetic, it pairs effortlessly with our blu-stone™ bathtubs, sinks, and vanity countertops.



One-Piece Design

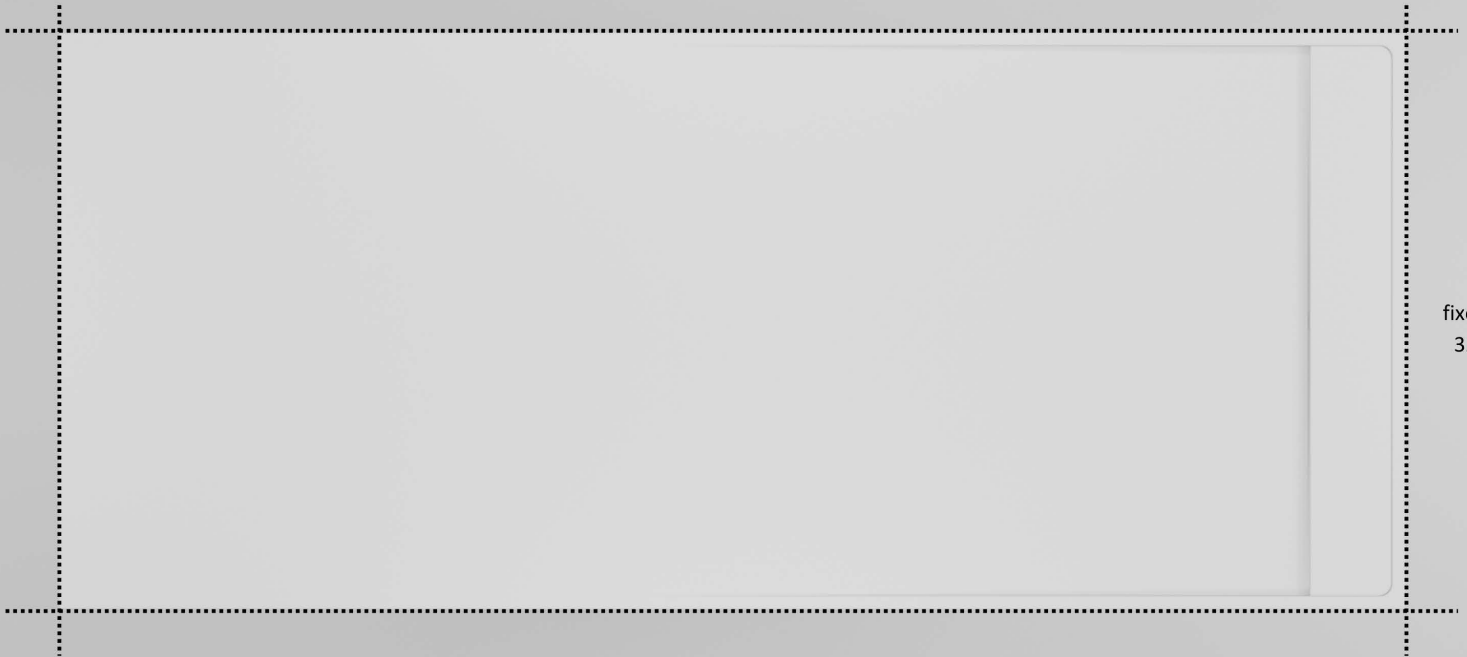
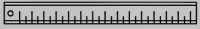
Architecturally beautiful, the practical benefits of a seamless one-piece blu-stone™ shower base include the prevention of growth of mildew and mold, that typically occurs with grout. One-piece design also reduces the likelihood of leakage from the cracks in tiles and other alternatives. The shower base is thoughtfully molded to include a sloped floor that ensures water run-off through the drain only.



Easy Installation

Precision engineered with a low 1¼" threshold makes the blu-stone™ shower base an ease to install in any bathroom application. Whether it is surface-mounted or recessed, the shower base requires less labor and its associated cost to install.

customizable length (48" - 96")



fixed widths
32" & 36"

colors + finishes

Material:

blu-stone™

Solid Surface Material: 70%
quartzite + 30% bio-resin

finishes

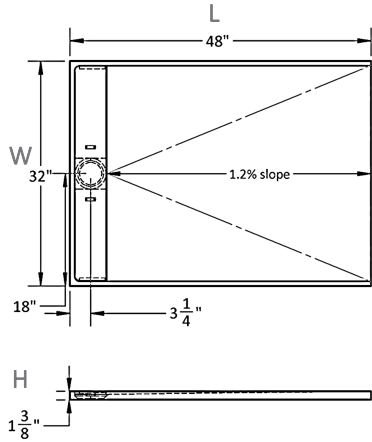
Matte: Visually luminous and
highly tactile, matte finish is
soft and almost warm to the
touch and evokes a minimalist
architectural quality

How to order blu-stone™ shower bases:

Showerbase SKU + blu-stone™ color & finish

eg. blu-stone™ shower base in Black Matte (04M) finish = SB3672-04M

shower base - 32"W



1 3/4" thickness

SB3248-01M

(matte white)

(in stock)

- 48" L x 32" W x 1 3/4" H / 1220mm L x 813mm W x 35mm H
- One-piece blu-stone™ shower base with removable blu-stone™ drain cover
- End drain with standard 3 1/2" drain opening
- Cement-like textured, non-slip surface
- Easily customizable, can be cut to fit on-site using a circular saw with a diamond blade.
- Available in all range of blu-stone™ colors
- Alcove installation requires separate tile flange, TF.BTSB
- Matte finishes only

Special Order Finishes



*Special Order finishes require a 20 + week lead time

*Special Order finishes are Made to Order, non-returnable

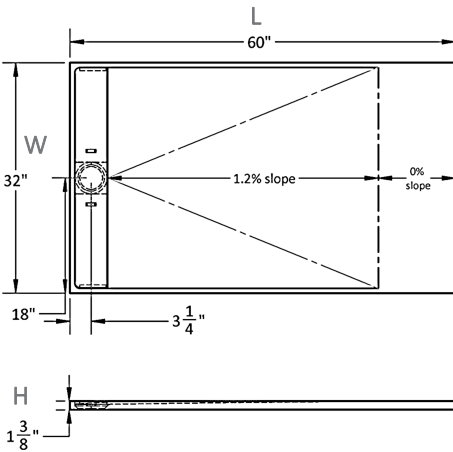
*Any Sherwin Williams color is available without additional up-charge and based on 1 round of sample

1 3/4" thickness

SB3260-01M

(matte white)

(in stock)



- 60" L x 32" W x 1 3/4" H / 1524mm L x 813mm W x 35mm H
- One-piece blu-stone™ shower base with removable blu-stone™ drain cover
- End drain with standard 3 1/2" drain opening
- Cement-like textured, non-slip surface
- Easily customizable, can be cut to fit on-site using a circular saw with a diamond blade.
- Available in all range of blu-stone™ colors
- Alcove installation requires separate tile flange, TF.BTSB
- Matte finishes only

Special Order Finishes



*Special Order finishes require a 20 + week lead time

*Special Order finishes are Made to Order, non-returnable

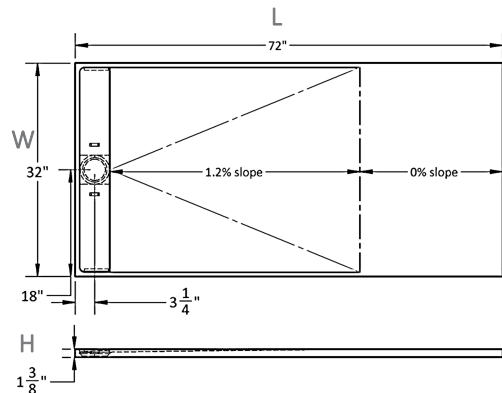
*Any Sherwin Williams color is available without additional up-charge and based on 1 round of sample

1 3/4" thickness

SB3272-01M

(matte white)

(in stock)



- 72" L x 32" W x 1 3/4" H / 1829mm L x 813mm W x 35mm H
- One-piece blu-stone™ shower base with removable blu-stone™ cover
- End drain with standard 3 1/2" drain opening
- Cement-like textured, non-slip surface
- Easily customizable, can be cut to fit on-site using a circular saw with a diamond blade.
- Available in all range of blu-stone™ colors
- Alcove installation requires separate tile flange, TF.BTSB
- Matte finishes only

Special Order Finishes



*Special Order finishes require a 20 + week lead time

*Special Order finishes are Made to Order, non-returnable

*Any Sherwin Williams color is available without additional up-charge and based on 1 round of sample

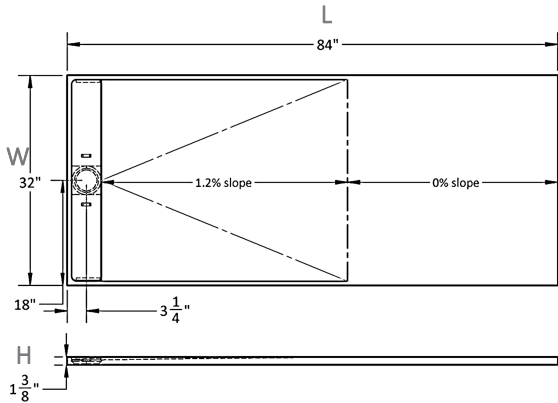
shower base - 32"

1 3/4" thickness

SB3284-01M

(matte white)

(in stock)



- 84" L x 32" W x 1 3/4" H / 2135mm L x 813mm W x 35mm H
- One-piece blu-stone™ shower base with removable blu-stone™ drain cover
- End drain with standard 3 1/2" drain opening
- Cement-like textured, non-slip surface
- Easily customizable, can be cut to fit on-site using a circular saw with a diamond blade.
- Available in all range of blu-stone™ colors
- Alcove installation requires separate tile flange, TF.BTSB
- Matte finishes only

Special Order Finishes



*Special Order finishes require a 20+ week lead time

*Special Order finishes are Made to Order, non-returnable

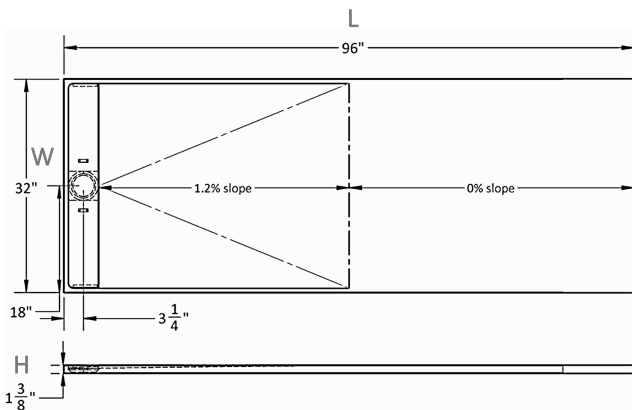
*Any Sherwin Williams color is available without additional up-charge and based on 1 round of sample

1 3/4" thickness

SB3296-01M

(matte white)

(in stock)



- 96" L x 32" W x 1 3/4" H / 2438mm L x 813mm W x 35mm H
- One-piece blu-stone™ shower base with removable blu-stone™ drain cover
- End drain with standard 3 1/2" drain opening
- Cement-like textured, non-slip surface
- Easily customizable, can be cut to fit on-site using a circular saw with a diamond blade.
- Available in all range of blu-stone™ colors
- Alcove installation requires separate tile flange, TF.BTSB
- Matte finishes only

Special Order Finishes

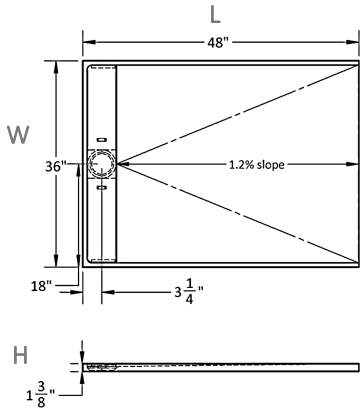


*Special Order finishes require a 20+ week lead time

*Special Order finishes are Made to Order, non-returnable

*Any Sherwin Williams color is available without additional up-charge and based on 1 round of sample

shower base - 36"



1 3/4" thickness

SB3648-01M

(matte white)

(in stock)

- 48" L x 36" W x 1 3/4" H / 1220mm L x 914mm W x 35mm H
- One-piece blu-stone™ shower base with removable blu-stone™ drain cover
- End drain with standard 3 1/2" drain opening
- Cement-like textured, non-slip surface
- Easily customizable, can be cut to fit on-site using a circular saw with a diamond blade.
- Available in all range of blu-stone™ colors
- Alcove installation requires separate tile flange, TF.BTSB
- Matte finishes only

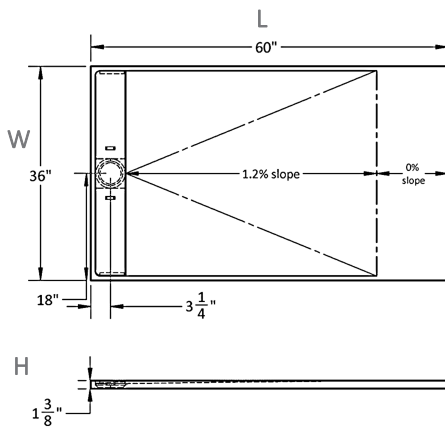
Special Order Finishes



*Special Order finishes require a 20+ week lead time

*Special Order finishes are Made to Order, non-returnable

*Any Sherwin Williams color is available without additional up-charge and based on 1 round of sample



1 3/4" thickness

SB3660-01M

(matte white)

(in stock)

- 60" L x 36" W x 1 3/4" H / 1524mm L x 914mm W x 35mm H
- One-piece blu-stone™ shower base with removable blu-stone™ drain cover
- End drain with standard 3 1/2" drain opening
- Cement-like textured, non-slip surface
- Easily customizable, can be cut to fit on-site using a circular saw with a diamond blade.
- Available in all range of blu-stone™ colors
- Alcove installation requires separate tile flange, TF.BTSB
- Matte finishes only

Special Order Finishes



*Special Order finishes require a 20+ week lead time

*Special Order finishes are Made to Order, non-returnable

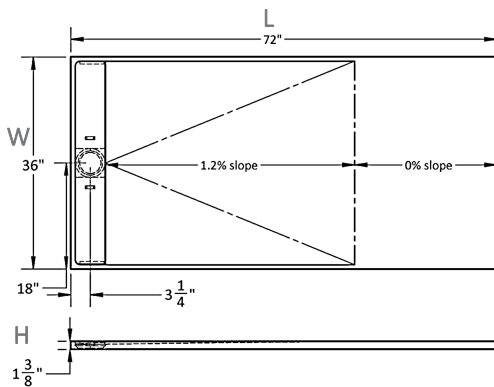
*Any Sherwin Williams color is available without additional up-charge and based on 1 round of sample

1 3/4" thickness

SB3672-01M

(matte white)

(in stock)



72" L x 36" W x 1 3/4" H / 1829mm L x 914mm W x 35mm H

- One-piece blu-stone™ shower base with removable blu-stone™ drain cover.
- End drain with standard 3 1/2" drain opening
- Cement-like textured, non-slip surface
- Easily customizable, can be cut to fit on-site using a circular saw with a diamond blade.
- Available in all range of blu-stone™ colors
- Alcove installation requires separate tile flange, TF.BTSB
- Matte finishes only

Special Order Finishes

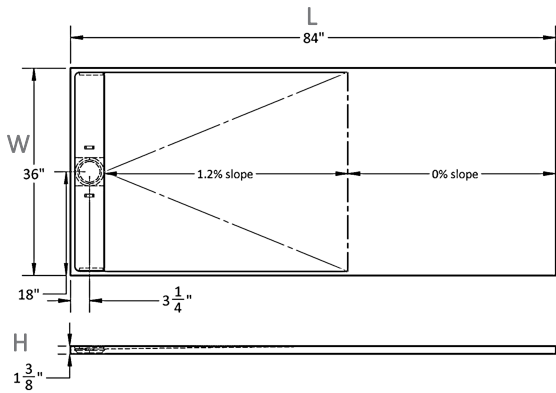


*Special Order finishes require a 20+ week lead time

*Special Order finishes are Made to Order, non-returnable

*Any Sherwin Williams color is available without additional up-charge and based on 1 round of sample

shower base - 36"



1 3/4" thickness

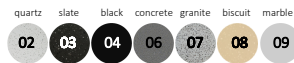
SB3684-01M

(matte white)

(in stock)

- 84" L x 36" W x 1 3/4" H / 2135mm L x 914mm W x 35mm H
- One-piece blu·stone™ shower base with removable blu·stone™ drain cover
- End drain with standard 3 1/2" drain opening
- Cement-like textured, non-slip surface
- Easily customizable, can be cut to fit on-site using a circular saw with a diamond blade.
- Available in all range of blu·stone™ colors
- Alcove installation requires separate tile flange, TF.BTSB
- Matte finishes only

Special Order Finishes



*Special Order finishes require a 20+ week lead time

*Special Order finishes are Made to Order, non-returnable

*Any Sherwin Williams color is available without additional up-charge and based on 1 round of sample

1 3/4" thickness

SB3696-01M

- 96" L x 36" W x 1 3/4" H / 2438mm L x 914mm W x 35mm H
- One-piece blu·stone™ shower base with removable blu·stone™ drain cover
- End drain with standard 3 1/2" drain opening
- Cement-like textured, non-slip surface
- Easily customizable, can be cut to fit on-site using a circular saw with a diamond blade.
- Available in all range of blu·stone™ colors
- Alcove installation requires separate tile flange, TF.BTSB
- Matte finishes only

Special Order Finishes



*Special Order finishes require a 20+ week lead time

*Special Order finishes are Made to Order, non-returnable

*Any Sherwin Williams color is available without additional up-charge and based on 1 round of sample

Natural Stone



Carrara



colors + finishes + shapes

Material:

Marble

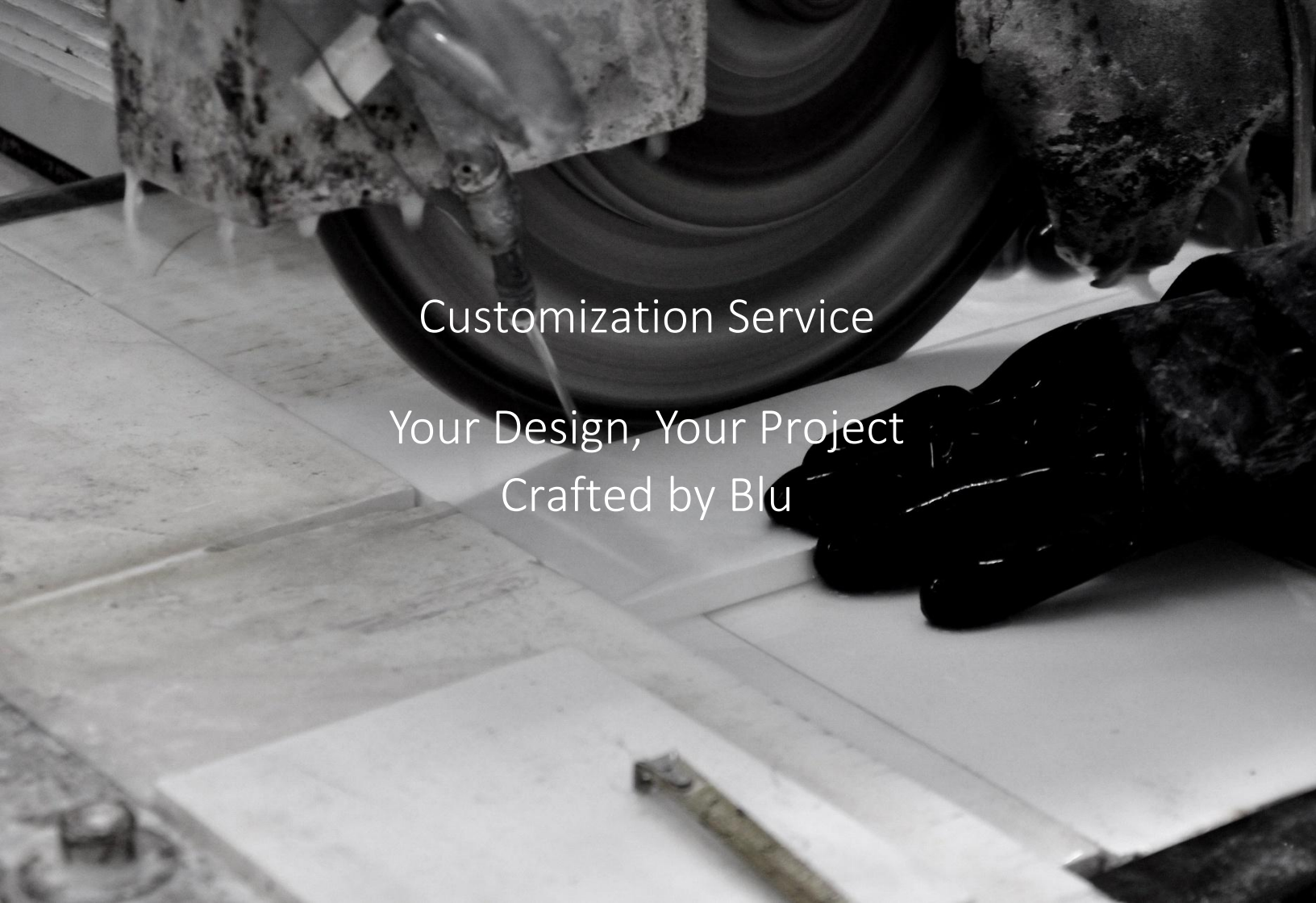
finishes + color

Gloss: High gloss finish adds a modern touch and enhances design coordination

Please refer to actual sample for finishes and colors

shapes

All of our blu-stone™ models for tub and basins can be done in natural stone



Customization Service

Your Design, Your Project
Crafted by Blu

At Blu Bathworks, customization is part of how we work.

From subtle adjustments to fully bespoke pieces, our team collaborates with you to develop solutions aligned with your design intent.

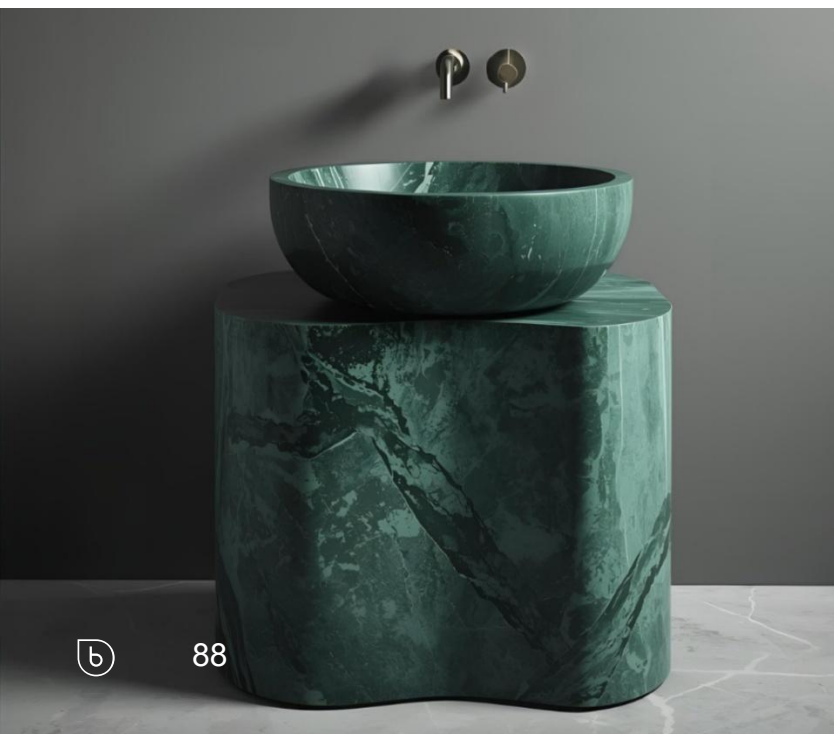
What we can customize

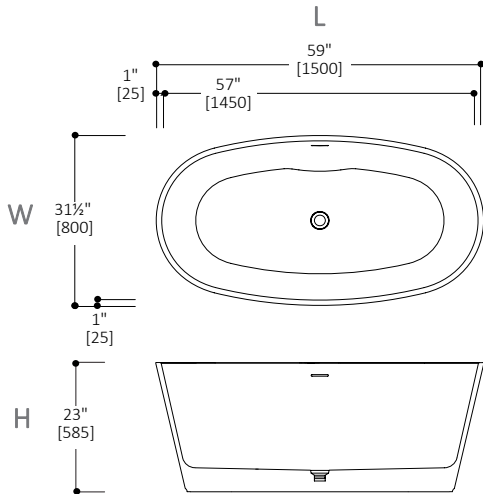
- Materials (blu·stone™, marble, concrete, Corian®)
- Textures (smooth matte, terrazzo, sandstone, fluted or ribbed)
- Tub designs (shapes, profiles, angles, drain position)
- Color matching (from Pantone to paint references such as Sherwin-Williams)
- Basin designs (bowl forms, custom sizes, pedestal variations, installation options)



What You Need to Know

- No limits for project drawings and inspiration.
- Multiple customization options (design, colour, materials).
- Mould fees start at 1,000 USD.
- Lead times start at 16 weeks.
- No minimum quantities required.
- Colour samples available upon request.





Coco 59NS

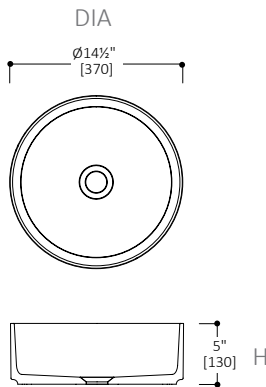
BT0402.NS

(special order)

- 59" L x 31 1/2" W x 23 1/2" H / 1500mm L x 800mm W x 585mm H
- Seamless, one-piece blu:stone™ bathtub
- Center drain
- Capacity: 74G / 280L
- Includes integral slot overflow & matching marble waste cover
- Available in a range of marble colors



**Special Order finishes require a 20 + week lead time upon*
**Special Order finishes are Made to Order, non-returnable*



Coco 14NS

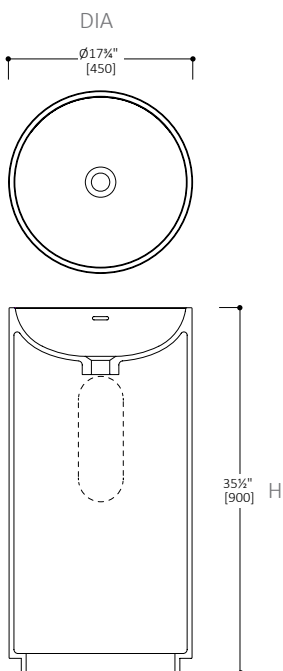
SA0107N37.NS

(special order)

- 14 1/2" DIA x 5" H / 370mm DIA x 130mm H
- Round marble countertop vessel basin without overflow
- Includes matching natural stone waste cover
- Recommend QTW-0120 push button waste; designed for use with marble waste cover or SC015 universal push button waste
- Available in a range of marble colors



**Special Order finishes require a 20 + week lead time upon*
**Special Order finishes are Made to Order, non-returnable*



Coco 35NS

SA0510.NS

(special order)

- 17 1/4" DIA x 35 1/2" H / 450mm DIA x 900mm H
- Round marble freestanding pedestal basin with slot overflow
- Includes matching marble waste cover
- Recommend QTW-0121 push button waste; designed for use with marble waste cover or SC015 universal push button waste
- Available in a range of marble colors



**Special Order finishes require a 20 + week lead time upon*
**Special Order finishes are Made to Order, non-returnable*



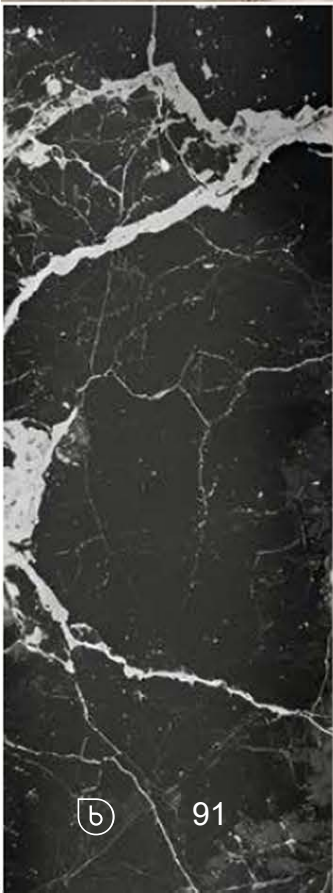
Nero Marquina



Cream Marfil



Coco Basin



Coco Pedestal

warranty

limited blu-stone™ residential warranty

Blu Bathworks® (“Blu”) blu-stone™ products are warranted to the original purchaser to be free from defects in all material and workmanship during normal residential use for a period of five (5) years from the date of purchase. Blu will, at its election, repair, provide a replacement part or product, or make appropriate adjustment, subject to the terms and conditions set forth in this warranty. Blu Bathworks does not recommend exceeding US/Canada maximum hot water temperature regulations of 150°F / 65°C, respectively. Exceeding stated temperatures could result in damage to blu-stone™ basins and bathtubs. Bathtub/basin drains and parts are warranted for a period of 1 year.

limited acrylic residential warranty

Blu Bathworks® (“Blu”) acrylic bathtubs are warranted to the original purchaser to be free from defects in all material and workmanship during normal residential use for a period of five (5) years from the date of purchase. Blu will, at its election, repair, provide a replacement part or product, or make appropriate adjustment, subject to the terms and conditions set forth in this warranty. Acrylic bathtub drains are warranted for a period of 1 year.

limited natural stone, concrete and custom materials residential warranty

Blu Bathworks® (“Blu”) custom products are warranted to the original purchaser to be free from defects in all material and workmanship during normal residential use for a period of one (5) years from the date of purchase. Blu will, at its election, repair, provide a replacement part or product, or make an appropriate adjustment, subject to the terms and conditions set forth in this warranty. Please note: Chips, cracks, and scratches in natural stone, concrete, or custom materials surfaces may not be repairable due to the material composition and may not be covered under warranty.

limited furniture residential warranty

Blu Bathworks® (“Blu”) furniture products are warranted to the original purchaser to be free from defects in all material and workmanship during normal residential use for a period of one (5) years from the date of purchase. Blu will, at its election, repair, provide a replacement part or product, or make appropriate adjustment, subject to the terms and conditions set forth in this warranty. The painted finish is warranted for a period of 2 years; furniture accessories and parts are warranted for a period of 1 year.

limited tapware residential warranty

Blu Bathworks® (“Blu”) tapware products are warranted to the original purchaser to be free from defects in all mechanical parts during normal residential use for as long as the original purchaser owns his or her home. Blu will, at its election, repair, provide a replacement part or product, or make appropriate adjustment, subject to the terms and conditions set forth in this warranty. Normal wear and tear on parts is warranted for a period of 1 year. The PVD finish is warranted for a period of 5 years, powder coat finish is warranted for a period of 2 years, polish chrome finish is warranted for a period of 2 years.

limited commercial warranty

Blu Bathworks® (“Blu”) products are warranted to the original purchaser to be free from defects in all material and workmanship during normal usage for a period of one (1) year from the date of purchase. Blu will, at its election, repair, provide a replacement part or product, or make appropriate adjustment, subject to the terms and conditions set forth in this warranty.

terms + conditions

This warranty applies only to Blu Bathworks® ("Blu") products distributed in North America.

This warranty is non-transferable and is for the exclusive benefit of the original purchaser of a Blu product. This warranty may be exercised by the original purchaser of a unit in a new residential development. Blu recommends using a professional plumber for all installation and repair.

This warranty does not apply to products that have been installed in any manner other than as set out in Blu's installation guides, or to products that have been altered in any way.

For further clarity, the above stated warranty does not cover or apply to damage attributable to:

- a. neglect, misuse, abuse, accident or negligence;
- b. normal wear and tear, such as gloss reduction, scratching or fading over time due to use, cleaning practices or water or atmospheric condition, including but not limited to, the use of bleach, alkali, acid cleaners, dry (powder) cleaners or any other abrasive cleaners or the use of metal or nylon scrubbers.
- c. dirt or lime scale, or improper care, cleaning, or maintenance of the Product, or the use of inappropriate cleaners (such as those containing abrasives, ammonia, acids, waxes, bleaches, solvents, alcohol, or any product not recommended for chrome);
- d. damage caused by transportation, or improper storage;
- e. a natural calamity such as fire, earthquake, flood, thunder, electrical storm, etc.;
- f. sediments or foreign matter contained in a water system;
- g. damage or loss resulting from improper installation or from installation of the Product in a harsh and/or hazardous environment, or improper removal, repair or modification of the Product;
- h. electrical surges or lightning strikes or other acts which are not the fault of Blu Bathworks or which the Product is not specified to tolerate;
- i. the use of any Product in a manner inconsistent with the Product instructions / owners manual; and
- j. any failure, or damage to, this Product caused by either chloramines in the treatment of public water supply or cleaners containing chlorine (calcium hypochlorite).

NOTE: The use of high concentrate chlorine or chlorine related products can seriously damage the fittings. This damage can cause leakage and serious property damage

- k. tub and basin drain caps, aerators, cartridges/check valves included in some Tapware and Blu.stone products, due to being an expendable item
- l. The supply lines must be flushed out to prevent clogging of the filter screens. Failure to flush the lines will permanently damage the cartridges and void the warranty

This is the only warranty of Blu, which makes no other warranty of any kind. Blu disclaims any liability for special, incidental or consequential damages.

In no event shall the liability of Blu under this warranty exceed the purchase price of the product.

PROCEDURE FOR WARRANTY SERVICE

Refer to blubathworks.com for policy and procedures relating to requests for service under the terms of this warranty.

Original proof of purchase is required. Blu is not responsible for removal or installation costs, or the costs of shipping and handling associated with any service. Repaired or replaced products or parts are warranted only for the period remaining under the initial warranty.

For warranty eligibility, a completed & signed Return Goods Authorization (RGA) form must be emailed to Blu Bathworks® at support@blubathworks.com, which includes all relevant information regarding your claim, including:

- Product /SKU number
- Proof-of-purchase (copy of your original sales receipt, purchase order, or invoice), the date the product was purchased and installation date
- Complete description of the problem with supporting documentation as applicable (such as photographs)

Note: Failure to provide any required information will void the warranty.

Any damages resulting from transportation or missing parts must be reported to Blu within 5 days of receipt by the consignee. Please allow 7 to 14 business days for warranty processing.

Special Order items are not subject to cancellation or return.

inventory

Blu Bathworks' categorizes standard in-stock inventory items versus special order items and provides an estimated guideline for fulfillment of custom blu-stone™ + amanpuri items, as outlined below.

Lead times indicated are approximative from order confirmation date and do not include shipping within North America. Designer Bathtubs require a 50% non-refundable deposit at time of order acceptance.

Note: The maximum Dealer discount on blu-stone™ colored products + custom orders is 50% (.5 multiplier)

blu-stone™ Stock: inventory *Special Order: 20+ week

basins + bathtubs + showerbase

| | | | |
|-------|---------------|-------|---------------|
| 01M | stock | 07M/G | special order |
| 01G | special order | 09M/G | special order |
| 02M/G | special order | 08M/G | special order |
| 03M/G | special order | | |
| 04M/G | special order | | |
| 06M/G | special order | | |

designer series bathtubs *Special Order: 20+ week

| | | |
|-------------|---------------|------|
| 7000 series | special order | 7100 |
|-------------|---------------|------|

Acrylic bathtubs

| | |
|--------------|-------|
| 01M | stock |
| gloss finish | stock |

contact

We pride ourselves in customer service – we’re here to help you and your clients experience the best in design, functionality & service. For your convenience, please use the contact support information listed below.

Phone

Toll free: +1.866.907.0122

Local: +1.604.299.0122

Email

Orders: orders@blubathworks.com

Inquiries: info@blubathworks.com

Technical/After-sales: support@blubathworks.com

Marketing: marketing@blubathworks.com

Online

Website: blubathworks.com

Social Media: [@blubathworks](https://www.instagram.com/blubathworks)

