

blu

BATHWORKS®

blu·stone™



product catalogue

2025

Blu Bathworks®

Blu is a complete modern bathware solution, certified for use in the North American market.

The full range of collections were created with the same design DNA and work in harmony to provide an entire bathroom solution or as standalone statement pieces.

blu·stone™ bathtubs

features + benefits	10
color + finish guide	12
alcove + freestanding	14
accessories	21
designer series	24

acrylic bathtubs

features + benefits	32
color + finish guide	34
alcove + freestanding	36
drains	40

blu·stone™ basins

features + benefits	45
color + finish guide	47
vessel/countertop	49
pedestal	53
vanity top	58
basin accessories	63
countertop + backsplash	66

blu·stone™ shower bases

features + benefits	72
color + finish guide	74
shower bases	76

warranty + terms	80
inventory	82
contact information	83

where water meets modern™





blu·stone™
eco-friendly
stone material

exclusive to Blu Bathworks®

modern architectural sustainable design

With an inherent passion for water conservation, Blu Bathworks® is committed to developing sustainable products for an ecological future.

This passion motivated us to create our signature eco-friendly blu·stone™ material, which – in addition to its low-energy production process and recyclable nature – provides superior water temperature retention, requiring less water consumption for an optimum bathing experience.



Our newest product selection reflects our continued vision and pursuit of design and product innovation.



Our eco-friendly blu·stone™ collection, is available in a wide range of luxury basins, bathtubs, shower bases, countertops, backsplashes and even a tray for our freestanding tubs.

Sustainability is an expression of our corporate culture, expressed in our attitude, product offering, as well as our production processes. We continue to evolve our working relationships to constantly review and optimize our production practices from an ecology viewpoint.

codes + compliance

Blu is proud to feature a selection of sustainable and certified products, that meet or exceed the highest standards, including:



CalGreen compliant

AB1953

AB1953 compliant, lead-free tapware



LEED certified products



IAPMO



UPC/cUPC



Massachusetts code



California Energy Commission



UL Listed



CSA certified products

blu·stone™ bathtubs

freestanding
alcove



blu·stone™ bathtub azure-1 BT0304N17.01-01M source
series deck faucet 1201-AS
blu·stone™ vanity top SA0900.01-01M
51 vanity + mirror F51V1-0900-K16 + F51M2-0900

features + benefits

Luminous and highly tactile, Blu Bathworks offers durable and versatile blu-stone™ bathtubs for the modern and transitional bathroom environment. Available in freestanding and alcove applications with a wide range of size and style for maximum design flexibility and optimum bathing experience.



Durable

Crafted from 70% quartzite, blu-stone™ is an exceptionally durable material, which looks and feels like natural stone. It is high-pressure injection molded, anti-microbial and non-porous. Low maintenance and repairable, blu-stone™ products are stain + scratch resistant.



One-Piece Design

Beautiful one-piece blu-stone™ bathtubs offer a clean and modern design aesthetic. blu-stone™ one-piece tubs are non-porous, stain and impact resistant making them hygienic & durable for daily uses. Also easily repairable, blu-stone™ bathtubs are perfect for any household.



Design Flexibility

The blu-stone™ bathtub collection provides the flexibility to coordinate materials across the bathroom, with bathtub options to suit every design requirement. Choose from freestanding to alcove bathtubs, condo-proportioned to deep-soaker tubs. blu-stone™ is the ideal material for creating custom design solutions to support project specifications.



Colors + Finishes

A selection of blu-stone™ bathtubs are available in a range of modern stone-like colors including quartz (white), marble (gray), slate (black) and more. Homogeneous in nature, the color is consistent throughout, resulting in a finish that will last a lifetime.

All blu-stone™ color products in gloss finish are defined as a "live finish". This is due to the gloss finish being several layers of wax that have been applied and buffed onto the products natural matte finish. The high gloss finish will fade as a result of usage and typically limited to the bathing well of the tub where the usage occurs. Wax refinishing can occur at anytime and is detailed in the installation and maintenance guide for blu-stone™ products.



colors + finishes



blu-stone™ bathtub coco·2 BT0402.02-01M

Material:

blu-stone™

Solid Surface Material: 70% quartzite + 30% bio-resin, injection molded

finishes

Matte: Visually luminous and highly tactile, matte finish is soft and almost warm to the touch and evokes a minimalist architectural quality

Gloss: High gloss finish is available for select blu-stone™ pieces, which adds a modern touch and enhances design coordination

How to order blu-stone™ bathtubs:

Bathtub SKU + blu-stone™ color/finish code

eg. azure·1 freestanding bathtub in Marble Matte (09M) finish = BT0304N17.01-09M

blu·stone™ bathtubs

Please refer to blu·stone™ sample chips for true finish and color.

stocked

white



matte - 01M

special order*
(Max 50% discount)

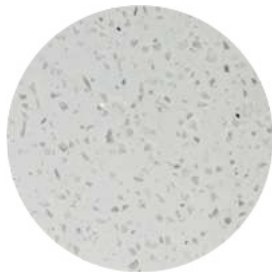
*Special Order finishes require a 16+ week lead time upon 50% confirmation.
*Special Order finishes are Made to Order and therefore non-returnable

white



gloss - 01G

quartz



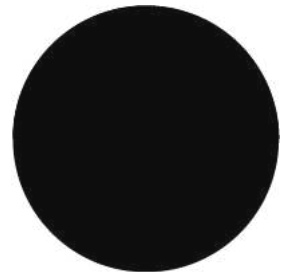
matte - 02M
gloss - 02G

slate



matte - 03M
gloss - 03G

black - 04



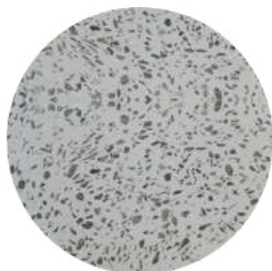
matte - 04M
gloss - 04G

concrete



matte - 06M
gloss - 06G

granite



matte - 07M
gloss - 07G

biscuit

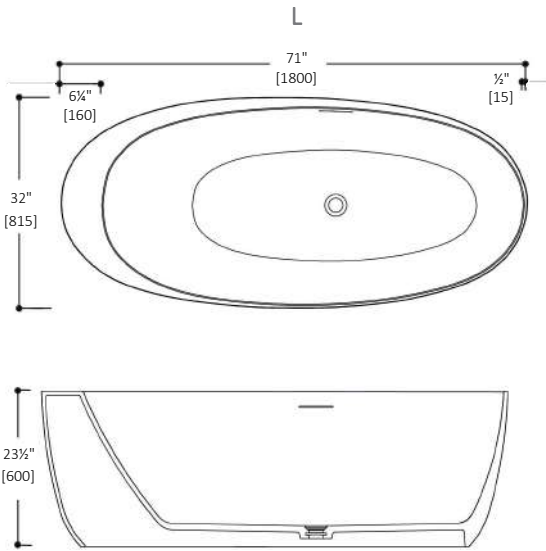


matte - 08M
gloss - 08G

marble



matte - 09M
gloss - 09G



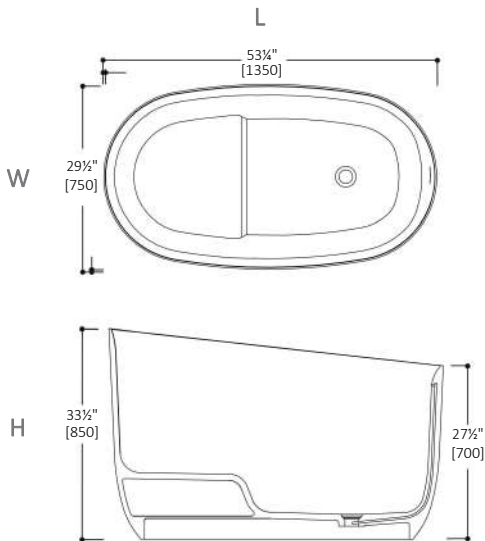
pacific

BT0305N71-01M
BT0305N71-01G*

- 71" L x 32" W x 23⁵/₈" H / 1800mm L x 815mm W x 600mm H
- Seamless, one-piece blu-stone™ bathtub
- Center drain
- Includes integral slot overflow & matching blu-stone™ waste cover
- Available in a range of blu-stone™ colors + finishes

BT0305N71 - 02M, 03M, 04M, 06M, 07M, 08M, 09M*

BT0305N71 - 02G, 03G, 04G, 06G, 07G, 08G, 09G*



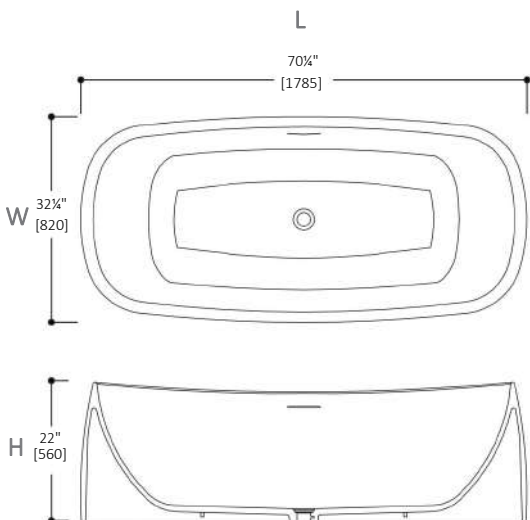
ofuro-03

BT0203N53-01M
BT0203N53-01G*

- 53" L x 29¹/₂" W x 33¹/₂" H / 1350mm L x 750mm W x 850mm H
- Seamless, one-piece blu-stone™ bathtub
- End drain for versatile left/right drain installation
- Includes integral slot overflow & matching blu-stone™ waste cover
- Available in a range of blu-stone™ colors + finishes

BT0203N53 - 02M, 03M, 04M, 06M, 07M, 08M, 09M*

BT0203N53 - 02G, 03G, 04G, 06G, 07G, 08G, 09G*



lago

BT0408N70-01M
BT0408N70-01G*

- 70¹/₄" L x 32¹/₄" W x 21³/₄" H / 1785mm L x 820mm W x 550mm H
- Seamless, one-piece blu-stone™ bathtub
- Capacity: 84G / 317L
- Center drain
- Includes integral slot overflow & matching blu-stone™ waste cover

• Available in a range of blu-stone™ colors + finishes

BT0408N70 - 02M, 03M, 04M, 06M, 07M, 08M, 09M*

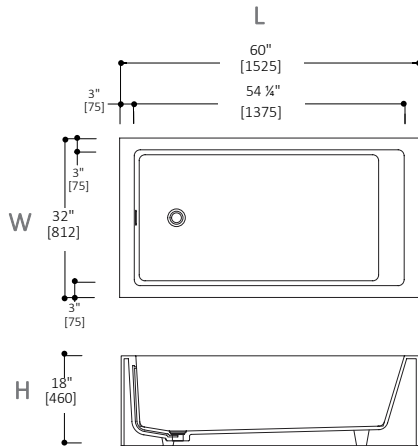
BT0408N70 - 02G, 03G, 04G, 06G, 07G, 08G, 09G*

Special Order Finishes



*Special Order finishes require a 16+ week lead time upon 50% deposit confirmation

ADA



metrix-2

BT0104.02-01M
BT0104.02-01G*
[BT0110]

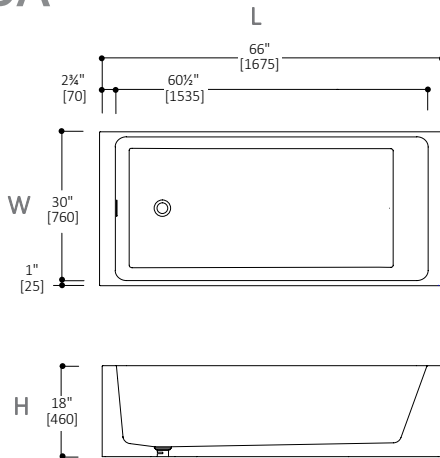
- 60" L x 32" W x 18" H / 1525mm L x 812mm W x 460mm H
- Skirted blu-stone™ freestanding / alcove bathtub with 4 sides skirt, designed for all alcove installation.
- Capacity: 81G / 306L
- Left or right hand drain installation
- Includes integral slot overflow & matching blu-stone™ waste cover
- Available in a range of blu-stone™ colors + finishes
- Alcove installation requires separate tile flange, TF.BTSB

Colors (Matte-M or Gloss-G):

BT0104.02 - 02M, 03M, 04M, 06M, 07M, 08M, 09M*

BT0104.02 - 02G, 03G, 04G, 06G, 07G, 08G, 09G*

ADA



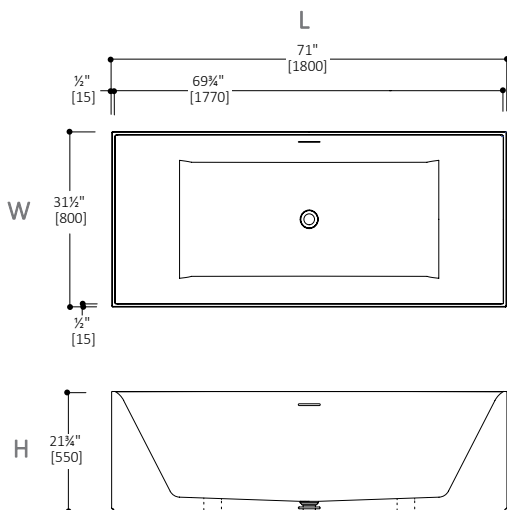
metrix-4

BT0105.01-01M
BT0105.01-01G*

- 66" L x 30" W x 18" H / 1675mm L x 760mm W x 460mm H
- Seamless, one-piece blu-stone™ bathtub
- Capacity: 95G / 360L
- End drain for versatile left/right drain installation
- Includes integral slot overflow & matching blu-stone™ waste cover
- Available in a range of blu-stone™ colors + finishes
- Alcove installation requires separate tile flange, TF.BTSB

BT0105.01 - 02M, 03M, 04M, 06M, 07M, 08M, 09M*

BT0105.01 - 02G, 03G, 04G, 06G, 07G, 08G, 09G*



metrix-6

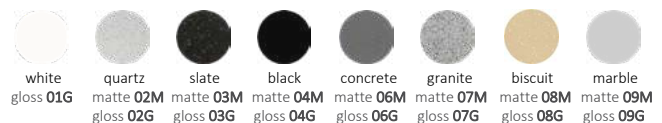
BT0203.01-01M
BT0203.01-01G*

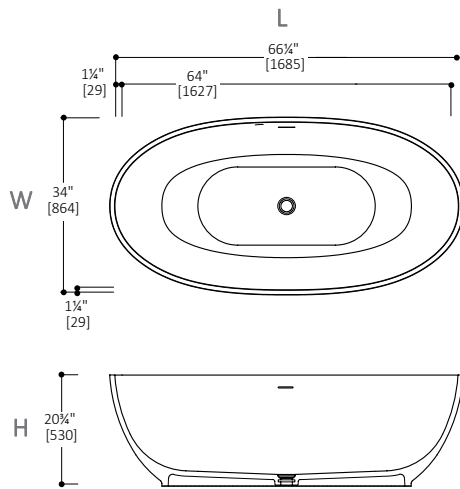
- 71" L x 31½" W x 21¾" H / 1800mm L x 800mm W x 550mm H
- Seamless, one-piece blu-stone™ bathtub
- Capacity: 107G / 405L
- Center drain
- Includes integral slot overflow & matching blu-stone™ waste cover
- Available in a range of blu-stone™ colors + finishes
- Alcove installation requires separate tile flange, TF.BTSB

BT0203.01 - 02M, 03M, 04M, 06M, 07M, 08M, 09M*

BT0203.01 - 02G, 03G, 04G, 06G, 07G, 08G, 09G*

Special Order Finishes



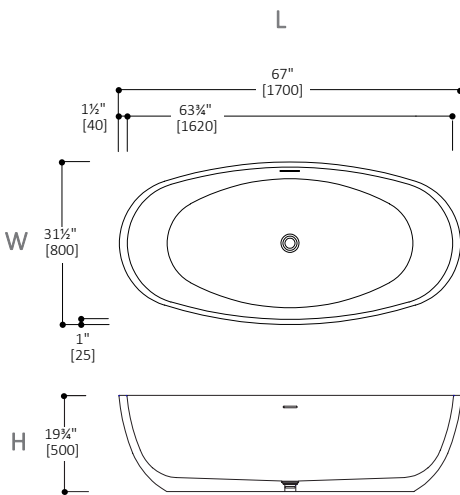


azure-1

BT0304N17.01-01M
BT0304N17.01-01G*

- 66 1/2" L x 34" W x 20 3/4" H / 1685mm L x 864mm W x 530mm H
- Seamless, one-piece blu-stone™ bathtub
- Capacity: 84G / 319L
- Center drain
- Includes integral slot overflow & matching blu-stone™ waste cover
- Available in a range of blu-stone™ colors + finishes

BT0304N17.01 - 02M, 03M, 04M, 06M, 07M, 08M, 09M*
BT0304N17.01 - 02G, 03G, 04G, 06G, 07G, 08G, 09G*

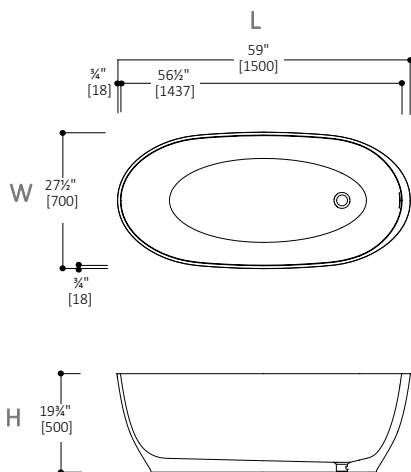


azure-2

BT0305.02-01M
BT0305.02-01G*

- 67" L x 31 1/2" W x 19 3/4" H / 1700mm L x 800mm W x 500mm H
- Seamless, one-piece blu-stone™ bathtub
- Capacity: 82G / 310L
- Center drain
- Includes integral slot overflow & matching blu-stone™ waste cover
- Available in a range of blu-stone™ colors + finishes

BT0305.02 - 02M, 03M, 04M, 06M, 07M, 08M, 09M*
BT0305.02 - 02G, 03G, 04G, 06G, 07G, 08G, 09G*



azure-3

BT0305N15.01-01M
BT0305N15.01-01G*

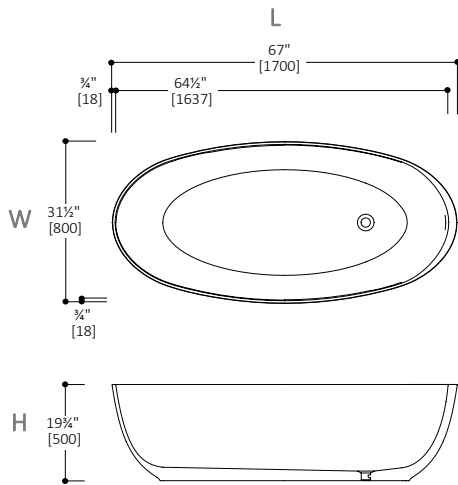
- 59" L x 27 1/2" W x 19 3/4" H / 1500mm L x 700mm W x 500mm H
- Seamless, one-piece blu-stone™ bathtub
- Capacity: 65G / 247L
- End drain for versatile left/right drain installation
- Includes integral slot overflow & matching blu-stone™ waste cover
- Available in a range of blu-stone™ colors + finishes

BT0305N15.01 - 02M, 03M, 04M, 06M, 07M, 08M, 09M*
BT0305N15.01 - 02G, 03G, 04G, 06G, 07G, 08G, 09G*

Special Order Finishes



*Special Order finishes require a 16+ week lead time upon 50% deposit confirmation



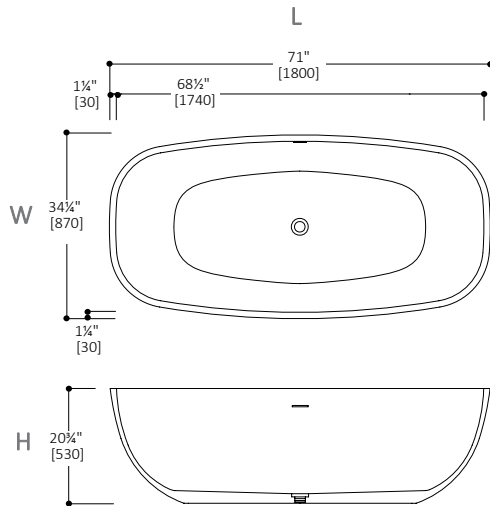
azure-4

BT0305N17.01-01M
BT0305N17.01-01G*

- 67" L x 31½" W x 19¾" H / 1700mm L x 864mm W x 500mm H
- Seamless, one-piece blu-stone™ bathtub
- Capacity: 83G / 314L
- End drain for versatile left/right drain installation
- Includes integral slot overflow & matching blu-stone™ waste cover
- Available in a range of blu-stone™ colors + finishes

BT0305N17.01 - 02M, 03M, 04M, 06M, 07M, 08M, 09M*

BT0305N17.01 - 02G, 03G, 04G, 06G, 07G, 08G, 09G*



azure-5

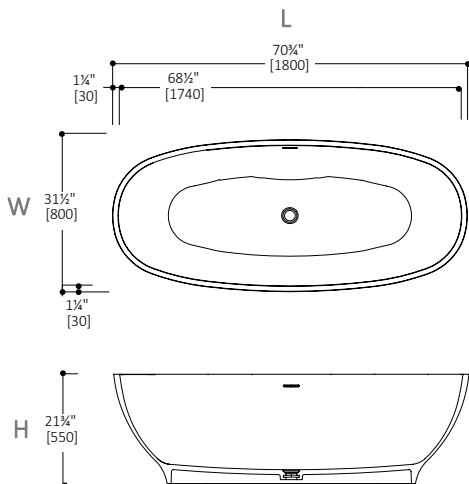
BT0305N18-01M
BT0305N18-01G*

[BT0308]

- 71" L x 34¾" W x 20¾" H / 1800mm L x 870mm W x 530mm H
- Seamless, one-piece blu-stone™ bathtub
- Capacity: 100G / 380L
- Center drain
- Includes integral slot overflow & matching blu-stone™ waste cover
- Available in a range of blu-stone™ colors + finishes

BT0305N18- 02M, 03M, 04M, 06M, 07M, 08M, 09M*

BT0305N18 - 02G, 03G, 04G, 06G, 07G, 08G, 09G*



fini-1

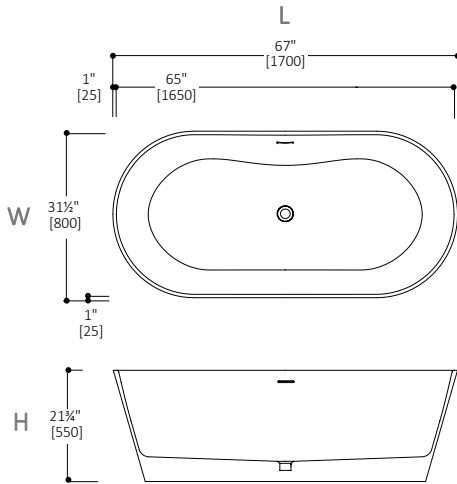
BT0402N18-01M
BT0402N18-01G*

- 70¾" L x 31½" W x 21¾" H / 1800mm L x 800mm W x 550mm H
- Seamless, one-piece blu-stone™ bathtub
- Capacity: 86G / 325L
- Center drain
- Includes integral slot overflow & matching blu-stone™ waste cover
- Available in a range of blu-stone™ colors + finishes

BT0402N18 - 02M, 03M, 04M, 06M, 07M, 08M, 09M*

BT0402N18 - 02G, 03G, 04G, 06G, 07G, 08G, 09G*





coco-1

BT0304.01-01M
BT0304.01-01G*

- 67" L x 31½" W x 21¾" H / 1700mm L x 750mm W x 550mm H
- Seamless, one-piece blu-stone™ bathtub
- Capacity: 91G / 345L
- Center drain
- Includes integral slot overflow & matching blu-stone™ waste cover
- Available in a range of blu-stone™ colors + finishes

BT0304.01- 02M, 03M, 04M, 06M, 07M, 08M, 09M*

BT0304.01 - 02G, 03G, 04G, 06G, 07G, 08G, 09G*

coco-2

BT0402.02-01M
BT0402.02-01G*

- 59" L x 31½" W x 23½" H / 1500mm L x 800mm W x 585mm H
- Seamless, one-piece blu-stone™ bathtub
- Capacity: 74G / 280L
- Center drain
- Includes integral slot overflow & matching blu-stone™ waste cover
- Available in a range of blu-stone™ colors + finishes

BT0402.02 - 02M, 03M, 04M, 06M, 07M, 08M, 09M*

BT0402.02 - 02G, 03G, 04G, 06G, 07G, 08G, 09G*

coco-3

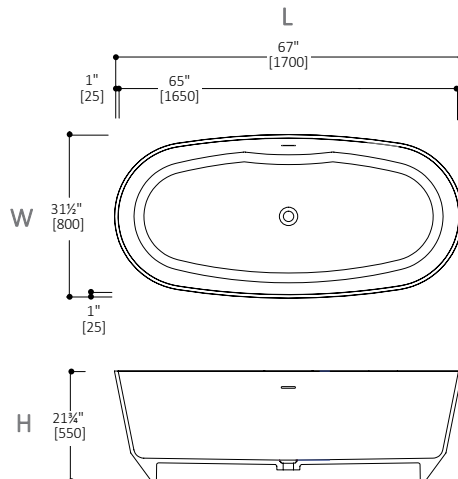
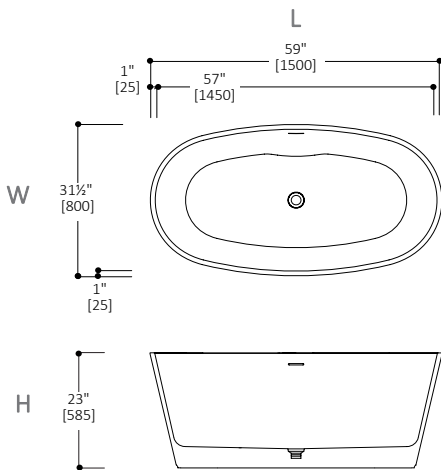
BT0207N17-01M
BT0207N17-01G*

[BT0310]

- 67" L x 31½" W x 21½" H / 1700mm L x 800mm W x 550mm H
- Seamless, one-piece blu-stone™ bathtub
- Capacity: 82G / 310L
- Center drain
- Includes integral slot overflow & matching blu-stone™ waste cover
- Available in a range of blu-stone™ colors + finishes

BT0207N17- 02M, 03M, 04M, 06M, 07M, 08M, 09M*

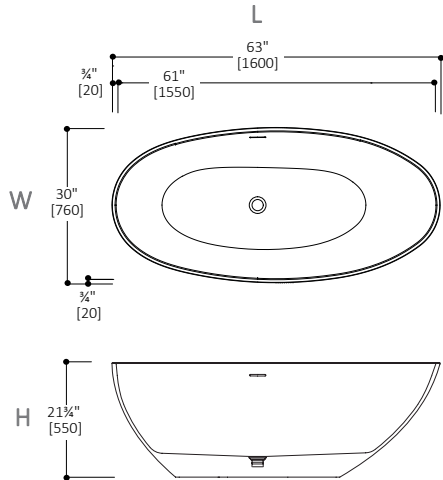
BT0207N17- 02G, 03G, 04G, 06G, 07G, 08G, 09G*



Special Order Finishes



*Special Order finishes require a 16+ week lead time upon 50% deposit confirmation

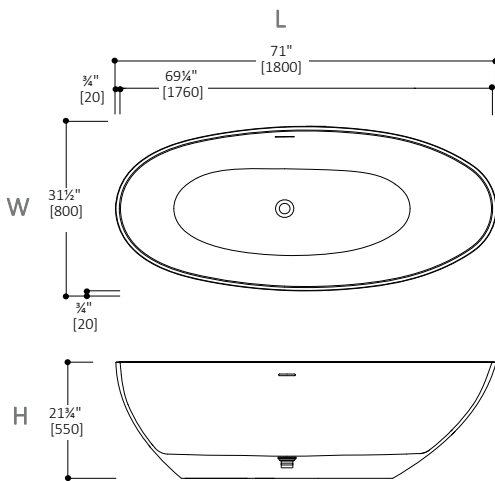


halo-1

BT0406.01-01M
BT0406.01-01G*

- 63" L x 30" W x 21¾" H / 1600mm L x 760mm W x 550mm H
- Seamless, one-piece blu-stone™ bathtub
- Capacity 70G / 265L
- Center drain
- Includes integral slot overflow & matching blu-stone™ waste cover
- Available in a range of blu-stone™ colors + finishes

BT0406.01- 02M, 03M, 04M, 06M, 07M, 08M, 09M*
BT0406.01 - 02G, 03G, 04G, 06G, 07G, 08G, 09G*

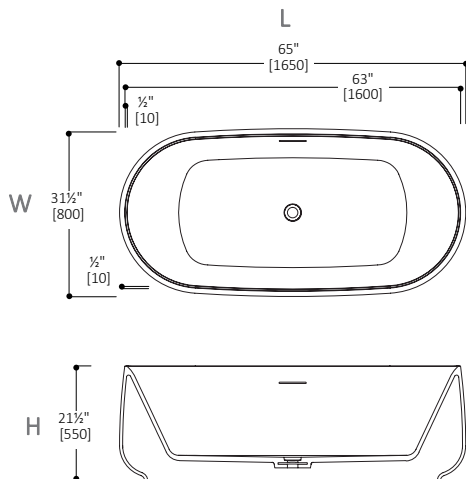


halo-2

BT0408.02-01M
BT0408.02-01G*

- 71" L x 31½" W x 21¾" H / 1800mm L x 800mm W x 550mm H
- Seamless, one-piece blu-stone™ bathtub
- Capacity 87G / 330L
- Center drain
- Includes integral slot overflow & matching blu-stone™ waste cover
- Available in a range of blu-stone™ colors + finishes

BT0408.02- 02M, 03M, 04M, 06M, 07M, 08M, 09M*
BT0408.02 - 02G, 03G, 04G, 06G, 07G, 08G, 09G*

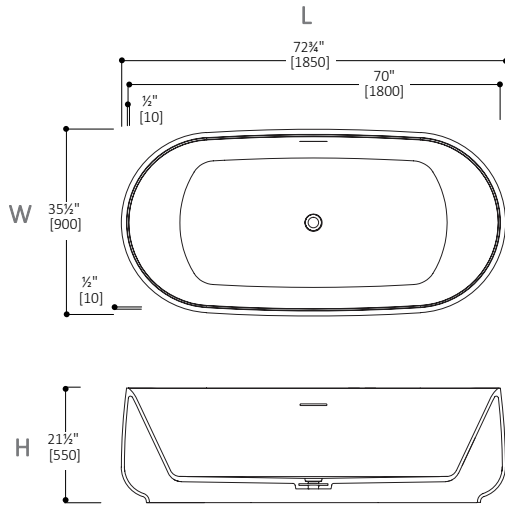


sereno-1

BT0207N16-01M
BT0207N16-01G*
[BT0307N16]

- 65" L x 31½" W x 21½" H / 1650mm L x 800mm W x 550mm H
- Seamless, one-piece blu-stone™ bathtub
- Capacity: 69G / 262L
- Center drain
- Includes integral slot overflow & matching blu-stone™ waste cover
- Only available in white

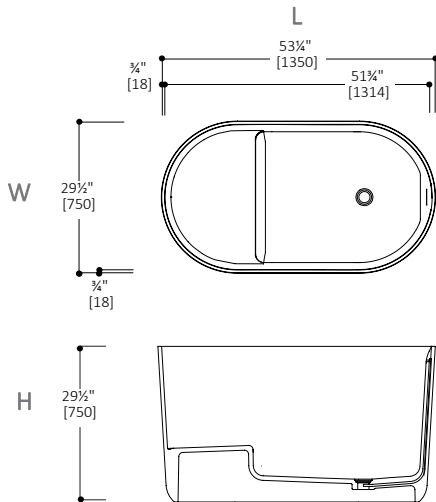




sereno-2

BT0207N18-01M
BT0207N18-01G*
 [BT0307N18]

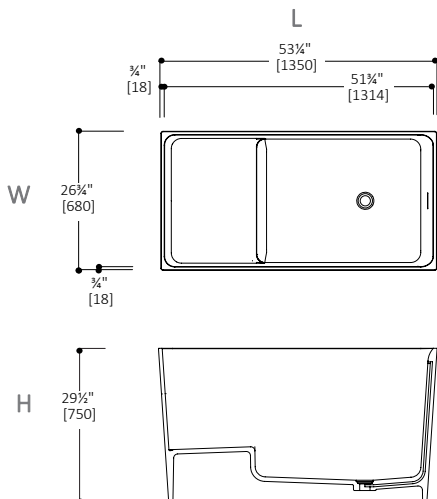
- 72 3/4" L x 35 1/2" W x 21 1/2" H / 1850mm L x 900mm W x 550mm H
- Seamless, one-piece blu-stone™ bathtub
- Capacity: 78G / 296L
- Center drain
- Includes integral slot overflow & matching blu-stone™ waste cover
- Only available in white.



ofuro-1

BT0304N11-01M
BT0304N11-01G*
 [BT0311]

- 53 3/4" L x 29 1/2" W x 29 1/2" H / 1350mm L x 750mm W x 750mm H
- Seamless, one-piece blu-stone™ bathtub
- Capacity: 84G / 320L
- End drain for versatile left/right drain installation
- Includes integral slot overflow & matching blu-stone™ waste cover
- Only available in white.



ofuro-2

BT0304N12-01M
BT0304N12-01G*
 [BT0312]

- 53 3/4" L x 26 3/4" W x 29 1/2" H / 1350mm L x 680mm W x 750mm H
- Seamless, one-piece blu-stone™ bathtub
- Capacity: 84G / 320L
- End drain for versatile left/right drain installation
- Includes integral slot overflow & matching blu-stone™ waste cover
- Available in a range of blu-stone™ colors + finishes
- Alcove installation requires separate tile flange, TF.BTSB (refer to pg 56 A)

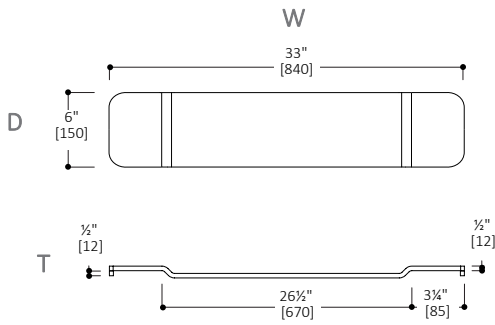
BT0304N12- 02M, 03M, 04M, 06M, 07M, 08M, 09M*

BT0304N12- 02G, 03G, 04G, 06G, 07G, 08G, 09G*

Special Order Finishes

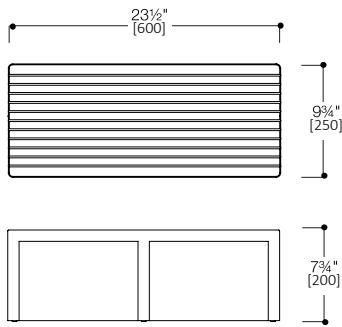


*Special Order finishes require a 16+ week lead time upon 50% deposit confirmation



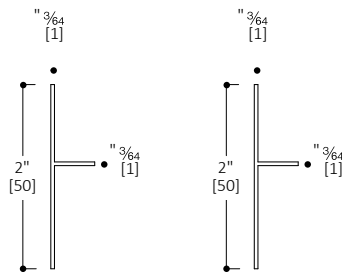
BTDeck840-01M
BTDeck840-01G*

- 33" W x 6" D x 1/2" T / 840mm W x 150mm D x 12mm T
- Seamless blu-stone™ bathtub deck tray
- Only available in White Matte or White Gloss finish
- Coordinates with a range of blu-stone™ bathtubs



BTStep1184-01M

- 23 1/2" W x 9 3/4" D x 7 3/4" H / 600mm L x 250mm D x 200mm H
- blu-stone™ step for deep soaking blu-stone™ bathtub



TF.BTSB

- Pair of 72" high density Polyethylene tile flanges
- Suitable for alcove bathtub and shower base installation



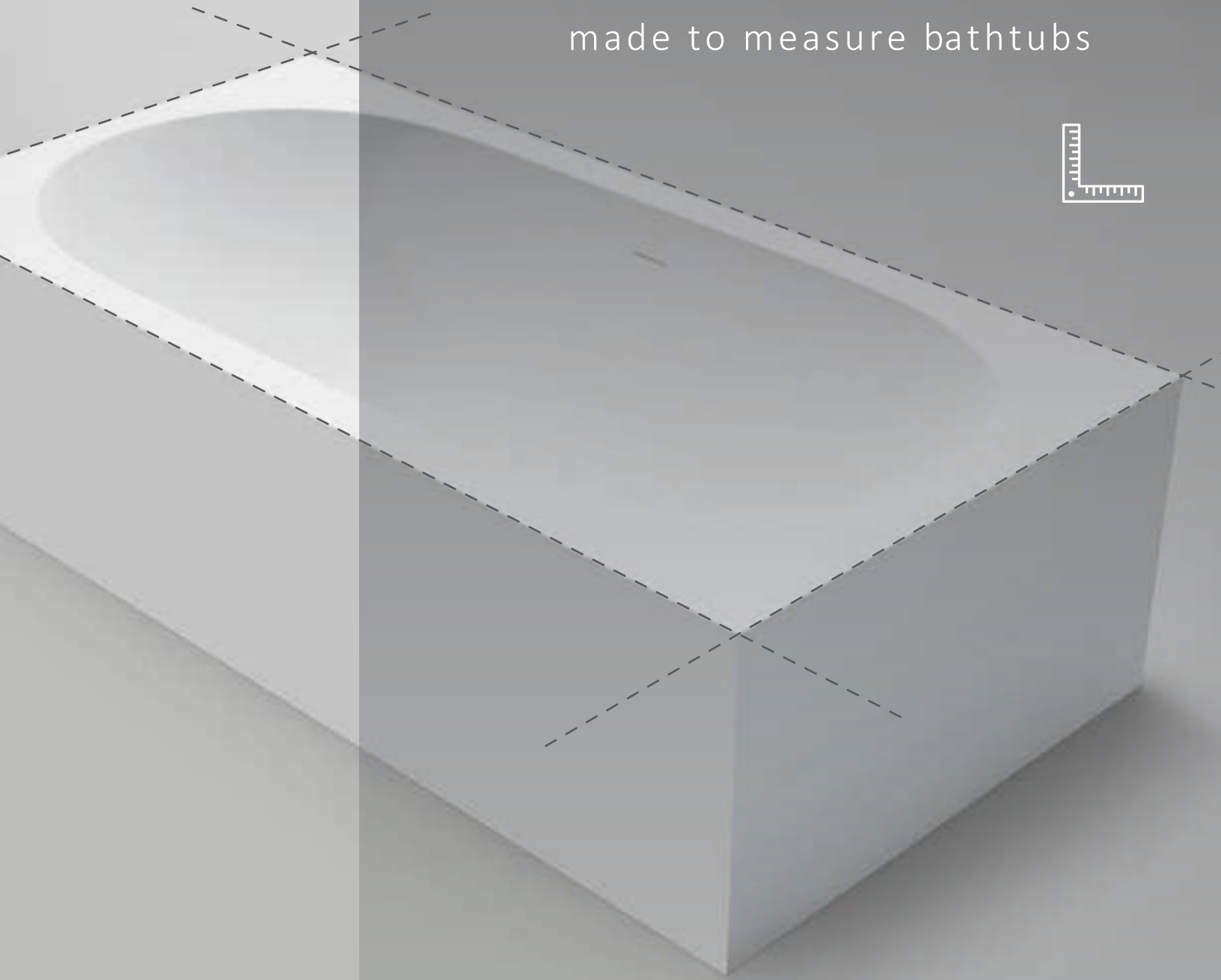
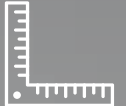
blu-stone™ bathtub step BTStep-1184-01M

blu-stone™ bathtub Designer series BT7050-01M
source series deck mixer handle 1252-AS
deck tubfiller spout BC203-AS + QPT-0002



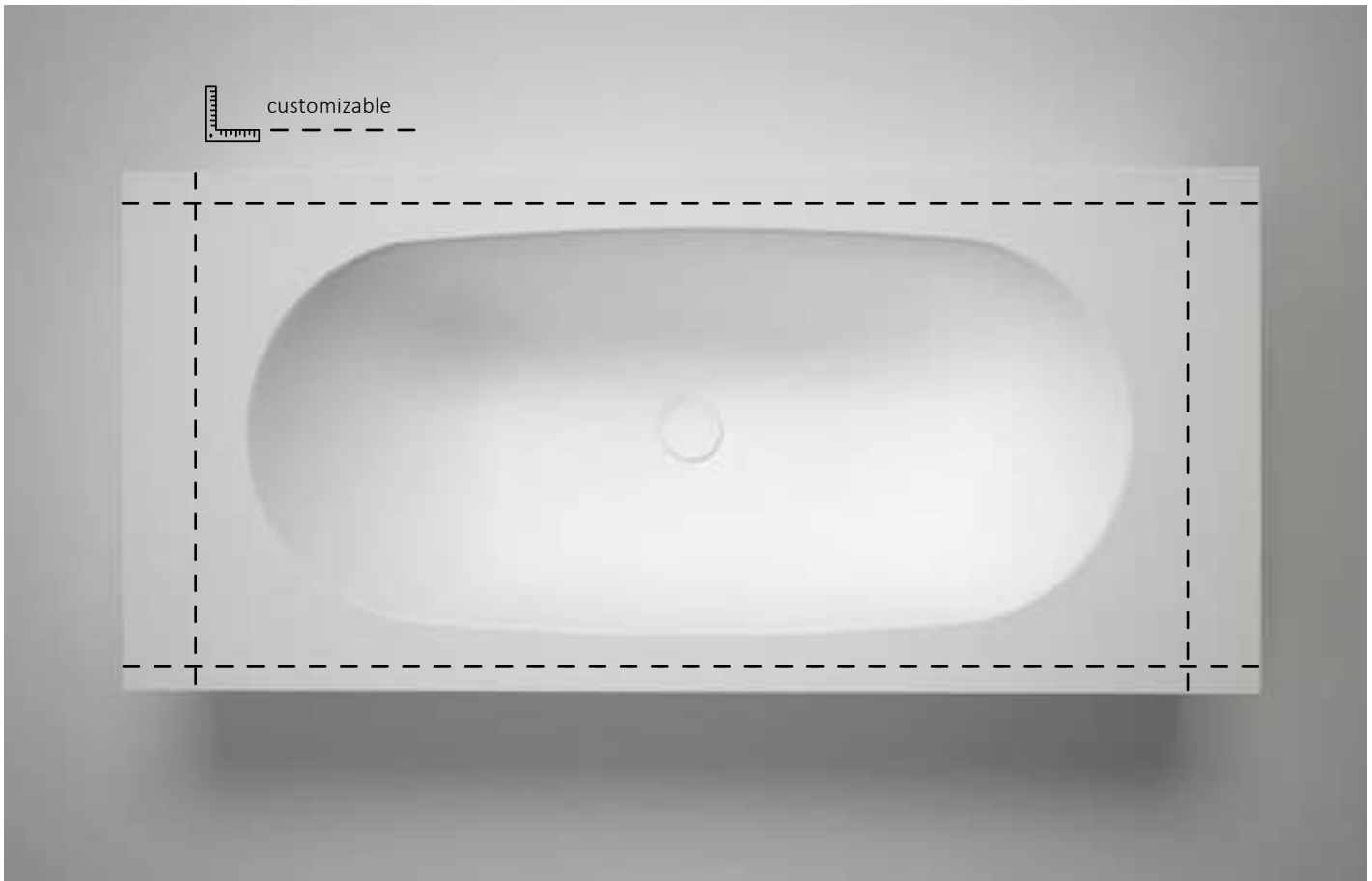
designer series

made to measure bathtubs



blu·stone™ bathtub designer series BT700

made to measure



Envisioned to support custom design solutions to meet any project specifications, Blu Bathworks® signature eco-friendly blu-stone™ collection has expanded to offer a range of made to measure, customizable bathtubs. Simply select your desired design and model, then customize dimensions to meet your specific design requirements, and allow lead-time from the approved order confirmation date. Additionally, further customization requirements like special drilling holes are available on request. The possibilities are endless.

Material:

blu-stone™
Solid Surface Material: 70%
quartzite + 30% bio-resin,
injection molded

Leadtime:

Any selection in the Designer
series require 16-20 weeks
after drawing sign-off

Finish

Standard: white matte
(O1M)
Upon request: any special
color or whitte gloss.

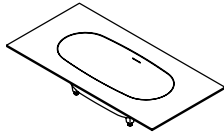
Base Unit:

standard bathing well
66" L x 28" W x 21½" H
85G / 15" water depth
Intergral slot overflow
matching blu-stone™ drain
cover adjustable feet for
leveling

how to order

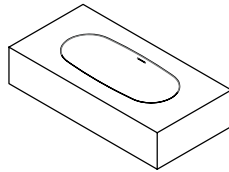
step 1 - select bathtub design

The first step in creating your custom blu-stone™ bathtub is to select the desired bathtub design that will best suit your needs.



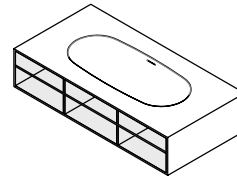
DECK

base unit
deck extension



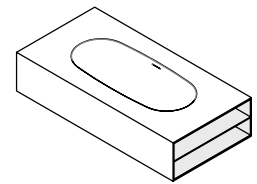
APRON

base unit front/
back apron side
apron(s)



FRONT SHELVING

base unit
front shelving
back apron
side apron(s)

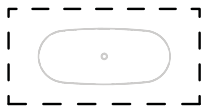


SIDE SHELVING

base unit
side shelving front/
back apron
side apron

step 2 - choose made to measure model

Once you have decided on a bathtub design, you can then choose from various specific made to measure models that can be further customized with overflow location, length, width and even special requirements like faucet drilling holes.



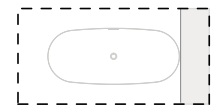
BT7100
all sides



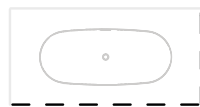
BT7110
front



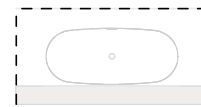
BT7131
2 sides



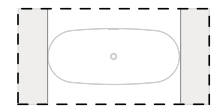
BT7142
front, back + 2 sides



BT7120
front + 1 side



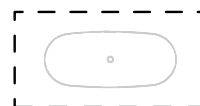
BT7141
back + 2 sides



BT7143
front, back + 2 sides



BT7130
front + 2 sides



BT7140
front, back + 2 sides

step 3 - complete order template

Each bathtub model, shown above, has a custom order template included within the specification sheet. Upon completing and submitting your custom bathtub order template, a Blu Bathworks customer service representative will contact you with confirmation & a technical drawing will be created for final review and approval. Orders require a 50% non-refundable deposit at time of acceptance.

sample order template

BT7100-01M ORDER TEMPLATE designer series blu-stone™ bathtub

Please indicate overflow location by marking circle in drawing below.

<p style="text-align: center;">BACK</p> <p style="text-align: center;">overflow location</p> <p style="text-align: center;">overflow location</p> <p style="text-align: center;">FRONT</p> <p style="text-align: center;">70" [1778±]</p> <p style="text-align: center;">32" [813±]</p> <p style="text-align: center;">Tolerances Rate: L +/- 10mm, W +/- 5mm</p>	<p style="text-align: center;">HEIGHT: 21½" (520mm) H</p> <div style="text-align: center;"> <p>BATHING WELL: 66" (1675mm) L x 28" (710mm) W</p> </div> <p style="text-align: center;">(MIN)</p> <p style="text-align: center;">WIDTH: 32" (813mm) LENGTH: 70" (1778mm)</p> <p style="text-align: center;">(MAX)</p> <p style="text-align: center;">TOTAL WIDTH: 48" (1219mm) TOTAL LENGTH: 96" (2438mm)</p>
---	---

Please ensure overflow location is marked above and all dimensions provided below are correct. When completed please sign form and submit by email to orders@blubathworks.com. Once submitted, a customer service representative will reach out to you with order confirmation and a technical drawing will be created for final review and approval. All orders require a 50% non-refundable deposit at time of order confirmation.

<p>(A) Total Length</p> <table style="width: 100%; border-collapse: collapse;"> <tr> <td style="width: 50%; border: 1px solid black; height: 30px;"></td> <td style="width: 50%; border: 1px solid black; height: 30px;"></td> </tr> <tr> <td style="text-align: center; font-size: small;">INCHES</td> <td style="text-align: center; font-size: small;">MILLIMETERS</td> </tr> </table>			INCHES	MILLIMETERS	<p>(B) Left Deck Length</p> <table style="width: 100%; border-collapse: collapse;"> <tr> <td style="width: 50%; border: 1px solid black; height: 30px;"></td> <td style="width: 50%; border: 1px solid black; height: 30px;"></td> </tr> <tr> <td style="text-align: center; font-size: small;">INCHES</td> <td style="text-align: center; font-size: small;">MILLIMETERS</td> </tr> </table>			INCHES	MILLIMETERS	<p>(C) Right Deck Length</p> <table style="width: 100%; border-collapse: collapse;"> <tr> <td style="width: 50%; border: 1px solid black; height: 30px;"></td> <td style="width: 50%; border: 1px solid black; height: 30px;"></td> </tr> <tr> <td style="text-align: center; font-size: small;">INCHES</td> <td style="text-align: center; font-size: small;">MILLIMETERS</td> </tr> </table>			INCHES	MILLIMETERS
INCHES	MILLIMETERS													
INCHES	MILLIMETERS													
INCHES	MILLIMETERS													
<p>(D) Total Width</p> <table style="width: 100%; border-collapse: collapse;"> <tr> <td style="width: 50%; border: 1px solid black; height: 30px;"></td> <td style="width: 50%; border: 1px solid black; height: 30px;"></td> </tr> <tr> <td style="text-align: center; font-size: small;">INCHES</td> <td style="text-align: center; font-size: small;">MILLIMETERS</td> </tr> </table>			INCHES	MILLIMETERS	<p>(E) Front Deck Width</p> <table style="width: 100%; border-collapse: collapse;"> <tr> <td style="width: 50%; border: 1px solid black; height: 30px;"></td> <td style="width: 50%; border: 1px solid black; height: 30px;"></td> </tr> <tr> <td style="text-align: center; font-size: small;">INCHES</td> <td style="text-align: center; font-size: small;">MILLIMETERS</td> </tr> </table>			INCHES	MILLIMETERS	<p>(F) Back Deck Width</p> <table style="width: 100%; border-collapse: collapse;"> <tr> <td style="width: 50%; border: 1px solid black; height: 30px;"></td> <td style="width: 50%; border: 1px solid black; height: 30px;"></td> </tr> <tr> <td style="text-align: center; font-size: small;">INCHES</td> <td style="text-align: center; font-size: small;">MILLIMETERS</td> </tr> </table>			INCHES	MILLIMETERS
INCHES	MILLIMETERS													
INCHES	MILLIMETERS													
INCHES	MILLIMETERS													

NAME:	APPROVAL SIGNATURE:
DATE:	

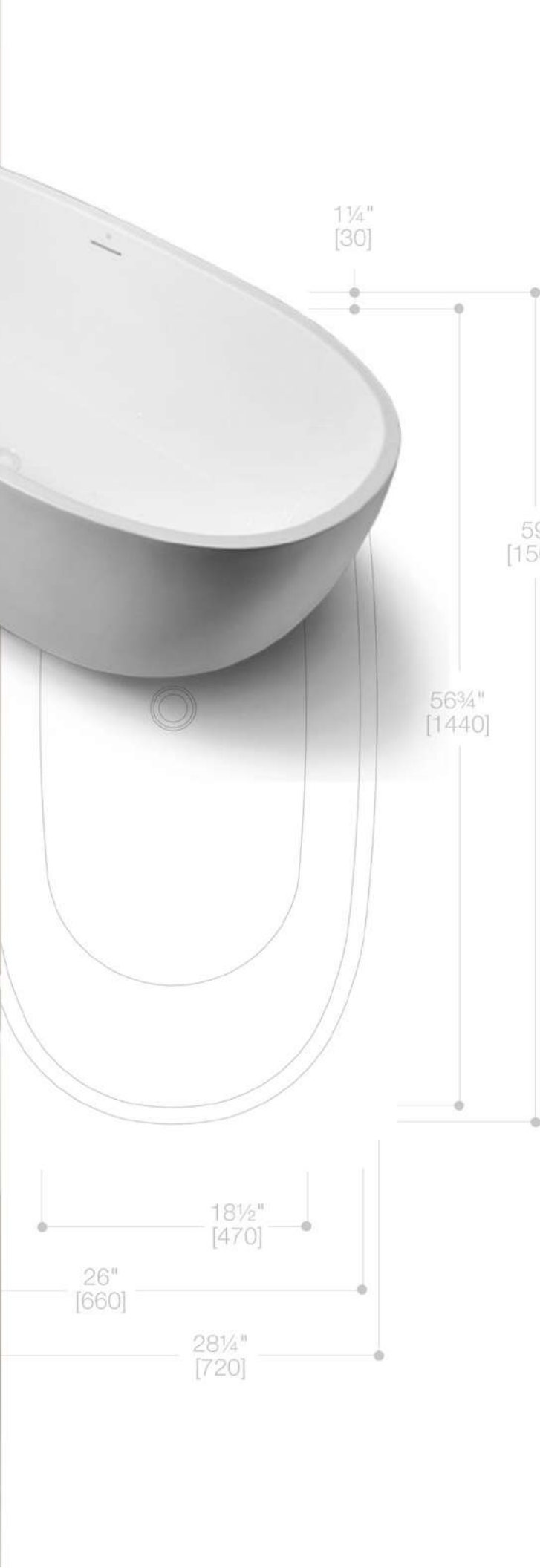


Acrylic Bathtubs

freestanding
alcove







features + benefits

Modern sophistication meets effortless functionality with Blu Bathworks selection of white matte or high gloss European-style acrylic bathtubs. Compact by design, these one-piece acrylic bathtubs require no assembling, making them manageable and easy to install in any bathroom environment.



Durable + Integral Slot Overflow

Constructed with high-quality Lucite acrylic ensures durability and ease of repair. With a range of timeless designs for product longevity, Blu's acrylic bathtub minimizes waste and energy consumption.

Both blu-stone™ and acrylic bathtubs share the same integral slot overflow design, ensuring a seamless design and look in every bathroom.



Anti-Rust Steel Frame + Adjustable Legs

Hidden underneath Blu Bathworks acrylic bathtubs are anti-rust steel frames to give the product extra reinforcement to ensure strength and longevity.

The addition of four adjustable legs will ensure the weight of the water is evenly distributed and the bathtub is installed perfectly leveled with the ground.



Light Weight

Acrylic bathtubs by Blu are light in weight making them perfect for apartments or weight restricted areas. The lighter weight also makes moving and installing an acrylic bathtub an ease.



Matte Finish

Blu Bathworks acrylic bathtubs in a modern white matte finish ensures a seamless design aesthetic throughout the home, eliminating any sacrifices for style and comfort at affordable price points.

acrylic bathtub box-2 BT8005
source series floor tubfiller 1262-AS



colors + finishes



acrylic bathtub box-1 BT8001-01M

Material:

Acrylic

Acrylic bathtubs are made of vacuum-formed sheets of acrylic, reinforced for added durability

finishes

Gloss: European high-gloss evokes a clean and contemporary quality

Matte: adding a modern touch and enhances design coordination

How to order matte Acrylic bathtubs:

Acrylic bathtub SKU + color & finish
eg. acrylic bathtub in White Matte (01M) finish = BT8004B16-01M

acrylic bathtubs

Please refer to blu·stone™ sample chips for true finish and color.

stocked

white

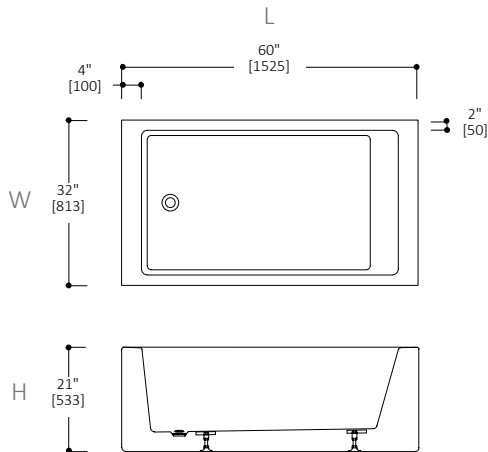


gloss

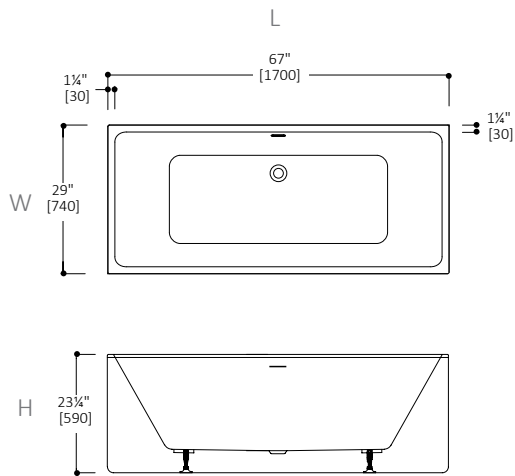
white



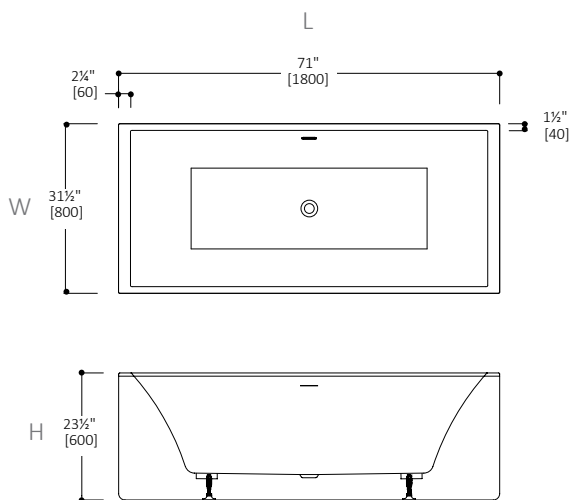
matte - 01M

**box-1****BT8001****BT8001-01M**

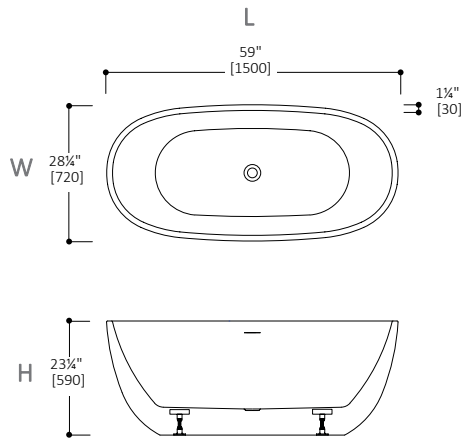
- 60" L x 32" W x 21" H / 1580mm L x 740mm W x 570mm H
- Seamless, one-piece acrylic bathtub with integral slot overflow
- Capacity 68G / 258L
- End drain for versatile left/right drain installation
- Includes matching white drain + waste cover
- Only available in white acrylic gloss finish
- Alcove installation requires separate tile flange, TF.BTSB

**box-2****BT8005****BT8005-01M**

- 67" L x 29" W x 23 3/4" H / 1700mm L x 740mm W x 590mm H
- Seamless, one-piece acrylic bathtub with thin rim & integral slot overflow
- Capacity 80G / 304L
- Off center drain
- Includes matching white drain + waste cover
- Only available in white acrylic gloss finish
- Alcove installation requires separate tile flange, TF.BTSB

**box-3****BT8007****BT8007-01M**

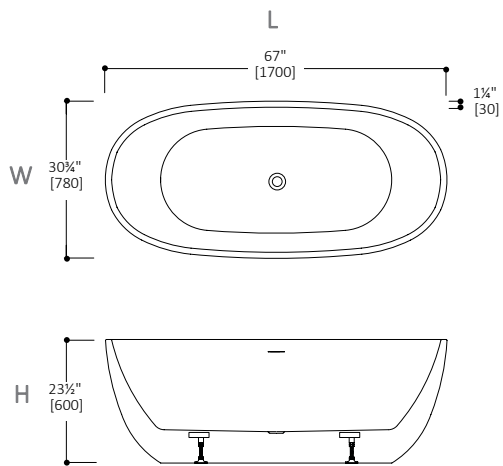
- 71" L x 31 1/2" W x 23 1/2" H / 1800mm L x 800mm W x 600mm H
- Seamless, one-piece acrylic bathtub with integral slot overflow
- Capacity 80G / 303L
- Center drain
- Includes matching white drain + waste cover
- Only available in white acrylic gloss finish
- Alcove installation requires separate tile flange, TF.BTSB



siena-1

BT8006B15
BT8006B15-01M

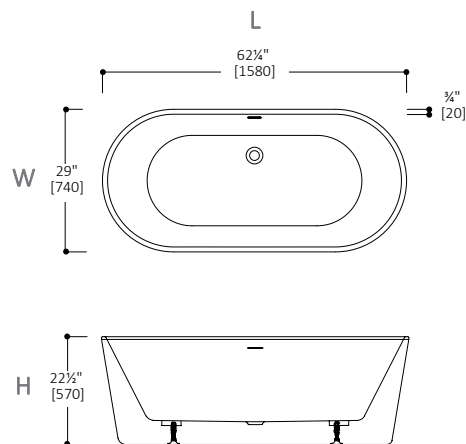
- 59" L x 28 3/4" W x 23 3/4" H / 1500mm L x 720mm W x 590mm H
- Seamless, one-piece acrylic bathtub with thin rim & integral slot overflow
- Capacity 63G / 240L
- Center drain
- Includes matching white drain + waste cover
- Available in white acrylic gloss or matte finish



siena-2

BT8006B17
BT8006B17-01M

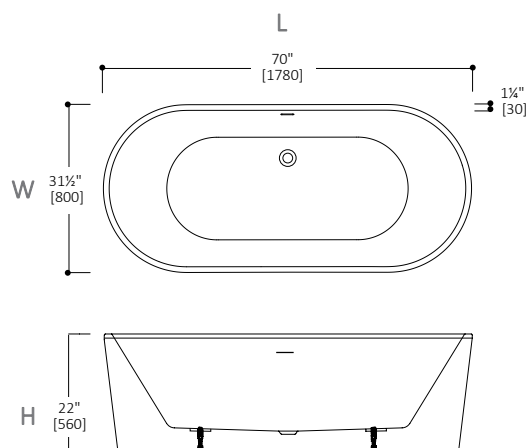
- 67" L x 30 3/4" W x 23 1/2" H / 1700mm L x 780mm W x 600mm H
- Seamless, one-piece acrylic bathtub with thin rim & integral slot overflow
- Capacity 79G / 300L
- Center drain
- Includes matching white drain + waste cover
- Available in white acrylic gloss or matte finish



pisa-3

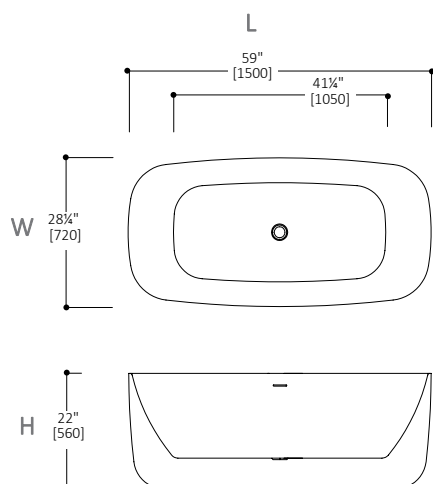
BT8004B16
BT8004B16-01M

- 62 1/4" L x 29" W x 22 1/2" H / 1580mm L x 740mm W x 500mm H
- Seamless, one-piece acrylic bathtub with thin rim & integral slot overflow
- Capacity 66G / 250L
- Off center drain
- Includes matching white drain + waste cover
- Available in white acrylic gloss or matte finish

**pisa-4**

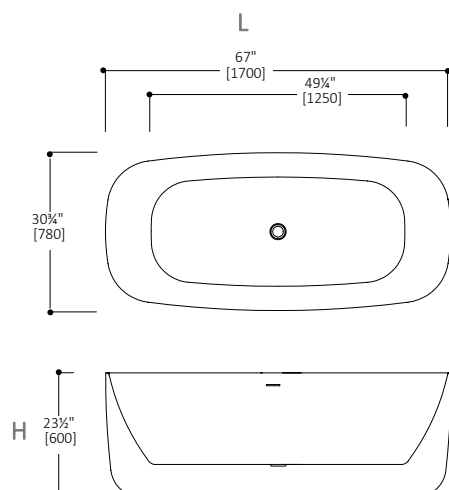
BT8004B18
BT8004B18-01M

- 70" L x 31½" W x 22" H / 1780mm L x 800mm W x 560mm H
- Seamless, one-piece acrylic bathtub with thin rim & integral slot overflow
- Capacity 82G / 310L
- Off center drain
- Includes matching white drain + waste cover
- Available in white acrylic gloss or matte finish

**messina-1**

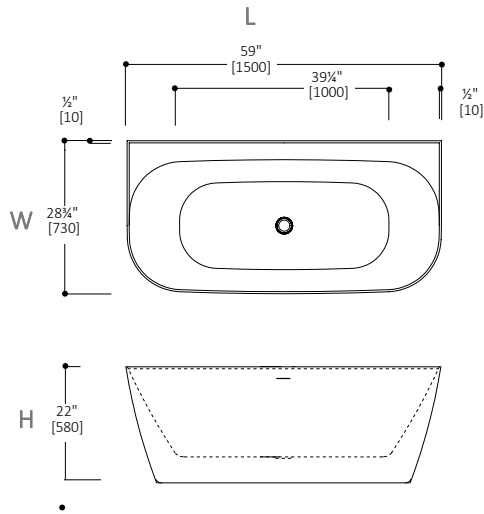
BT8008B15
BT8008B15-01M

- 59" L x 28¾" W x 22" H / 1500mm L x 720mm W x 560mm H
- Seamless, one-piece acrylic bathtub with thin rim & integral slot overflow
- Capacity 60G / 230L
- Center drain
- Includes matching white drain + waste cover
- Available in white acrylic gloss or matte finish

**messina-2**

BT8008B17
BT8008B17-01M

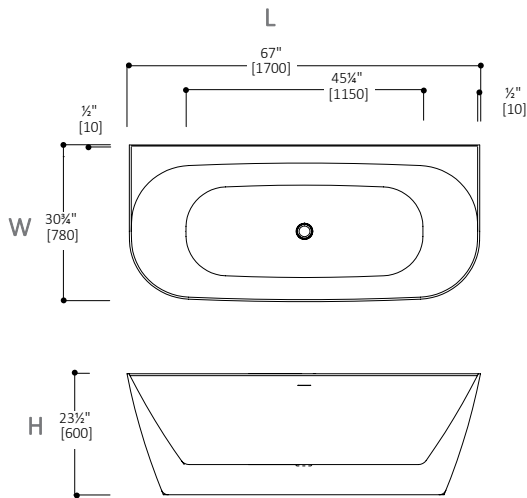
- 67" L x 30¾" W x 23½" H / 1700mm L x 780mm W x 600mm H
- Seamless, one-piece acrylic bathtub with thin rim & integral slot overflow
- Capacity 74G / 280L
- Center drain
- Includes matching white drain + waste cover
- Available in white acrylic gloss or matte finish



lucca·1

BT8009B15
BT8009B15-01M

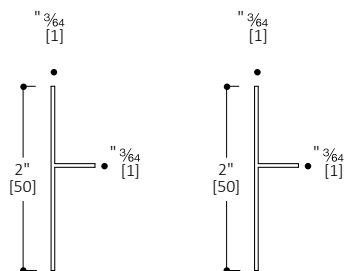
- 59" L x 28 3/4" W x 22" H / 1500mm L x 730mm W x 560mm H
- Seamless, one-piece acrylic bathtub with thin rim & integral slot overflow
- Capacity 53G / 200L
- Center drain
- Includes matching white drain + waste cover
- Available in white acrylic gloss or matte finish



lucca·1

BT8009B17
BT8009B17-01M

- 67" L x 30 3/4" W x 23 1/2" H / 1700mm L x 780mm W x 600mm H
- Seamless, one-piece acrylic bathtub with thin rim & integral slot overflow
- Capacity 60G / 230L
- Center drain
- Includes matching white drain + waste cover
- Available in white acrylic gloss or matte finish



TF.BTSB

- Pair of 72" high density Polyethylene tile flanges
- Suitable for alcove bathtub and shower base installation

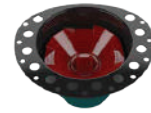
drains

BTWaste.RN

- Freestanding tub rough-in, can be used for blu-stone™ & acrylic bathtubs (install before tile installation)
- 18 Gauge Epoxy coated Metal Deck Flange
- Designed to be installed in an 8"/10" joist space
- Can be installed with Waterproofing Membrane
- Brass tailpiece
- Built-in snap-off test cap - allows for water/air/smoke testing (rated to 30 PSI)
- Material: Metal, ABS

**BTWaste.RN.CI**

- Freestanding tub rough-in, can be used for blu-stone™ & acrylic bathtubs (install before tile installation)
- 18 Gauge Epoxy coated Metal Deck Flange
- Designed to be installed in an 8"/10" joist space
- Brass tailpiece
- Built-in snap-off test cap - allows for water/air/smoke testing (rated to 30 PSI)
- Material: ABS + Cast Iron body

**BTWaste-01**

- blu•stone™ Pop-Up Bathtub Waste w/of + chrome cap
- INCLUDED IN ALL BLU.STONE BATHTUBS.

**BTWaste-02**

- Acrylic pop-up bathtub waste- Polish chrome finish and a cap matching tub finish.
- INCLUDED IN ALL ACRYLIC BATHTUBS.

**BTCap**

- Blu•Stone™ Pop-Up Bathtub Drain Flat Cover
- Available in all color and finishes
- INCLUDED IN ALL BLU.STONE BATHTUBS.





blu·stone™ basins

vessel
pedestal
vanity top
countertop
backsplash



blu·stone™ basin metrix SA0305N37.01-01G



blu-stone™ vanity top basin SA1400.01-01M
source series deck faucets 1201T-AS
45° UP vanity F45V2-1400.1-01M + FV2D-1400.1-03



features + benefits

The blu·stone™ basin collection continues to grow, building on the success of signature pieces such as the coco freestanding pedestal. This carefully curated collection includes a range of basin models for vessel, pedestal, and vanity top applications – all embodying the brand’s minimalist aesthetic and seamless design.



blu·stone™

Basins are created from our signature blu·stone™ material that is high pressure injection molded from 70% quartzite. This dynamic material is durable and eco-friendly. Crafted in Italy, blu·stone™ requires less energy to produce and is recyclable and repairable in nature.



Durable, One-Piece Design

blu·stone™ basins are non-porous, stain and impact resistant making them hygienic and durable for daily uses. Easy to remove stains and can be readily repairable, blu·stone™ basins are perfect for any household.

Beautiful one-piece design offers a cleaner and more modern aesthetic. Also, there are no seams or cracks, making it easy to clean.



Colors + Finishes

A selection of blu·stone™ basins are available in a range of modern stone-like colors including quartz (white), marble (gray), slate (black) and more. Homogeneous in nature, the color is consistent throughout, resulting in a finish that will last a lifetime.



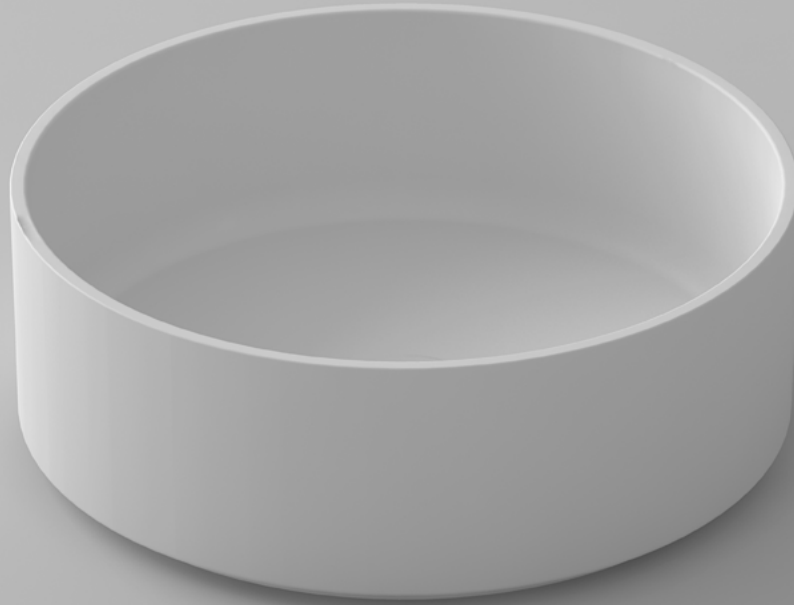
Design Flexibility

Besides being easily molded, blu·stone™ integrated vanity tops and countertops can be cut accordingly to fit projects on-site. Similar to wood’s tangibility, it can be sawed, drilled, milled, and ground with hard tipped tools.



blu-stone™ vessel basin metrix SA0305N37.01-01M
source series wall mixer handle 1343.00-AS
wall spout BC017-AS

colors + finishes



blu-stone™ vessel basin coco SA0107N37.01-01M

Material:

blu-stone™

Solid Surface Material: 70% quartzite + 30% bio-resin, injection molded

finishes

Matte: Visually luminous and highly tactile, matte finish is soft and almost warm to the touch and evokes a minimalist architectural quality

Gloss: High gloss finish is available for select blu-stone™ pieces, which adds a modern touch and enhances design coordination

How to order blu-stone™ basins:

Basin SKU + blu-stone™ color/finish code

eg. coco vessel basin in Quartz Gloss (02G) finish = SA0107N10-02G

blu·stone™ basins

Please refer to blu·stone™ sample chips for true finish and color.

stocked

white



matte - 01M

special order*
Max 50% discount

*Special Order finishes require a 16+ week lead time upon 50% confirmation.

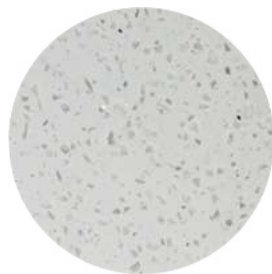
*Special Order finishes are Made to Order and therefore non-returnable

white



gloss - 01G

quartz



matte - 02M
gloss - 02G

slate



matte - 03M
gloss - 03G

black - 04



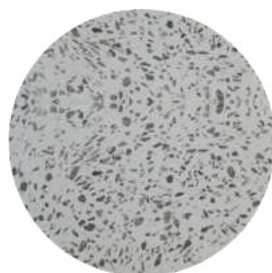
matte - 04M
gloss - 04G

concrete



matte - 06M
gloss - 06G

granite



matte - 07M
gloss - 07G

biscuit

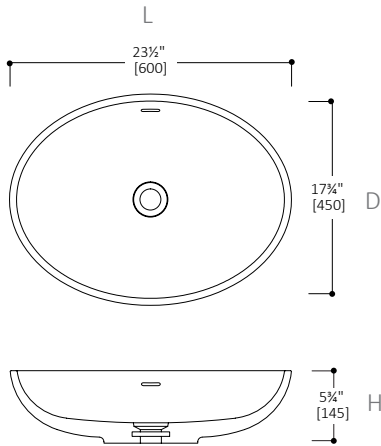


matte - 08M
gloss - 08G

marble



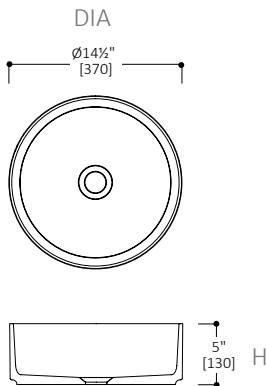
matte - 09M
gloss - 09G

**halo****SA0102.01-01M****SA0102.01-01G***

- 23½" L x 17¼" D x 5¼" H / 600mm L x 450mm D x 145mm H
- Oval blu-stone™ countertop vessel basin with slot overflow
- Includes matching blu-stone™ waste cover
- Available in a range of blu-stone™ colors + finishes
- Recommend QTW-0121 push button waste; designed for use with blu-stone™ waste cover or SC015 universal push button waste

SA0102.01- 02M, 03M, 04M, 06M, 07M, 08M, 09M*

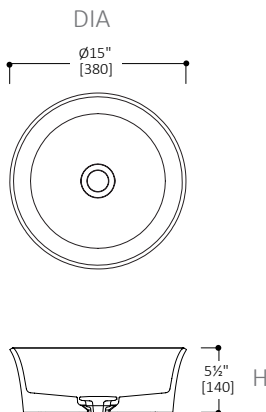
SA0102.01- 02G, 03G, 04G, 06G, 07G, 08G, 09G*

**coco****SA0107N37.01-01M****SA0107N37.01-01G***

- 14½" DIA x 5" H / 370mm DIA x 130mm H
- Round blu-stone™ countertop vessel basin without overflow
- Includes matching blu-stone™ waste cover
- Available in a range of blu-stone™ colors + finishes
- Recommend QTW-0120 push button waste; designed for use with blu-stone™ waste cover or SC015 universal push button waste

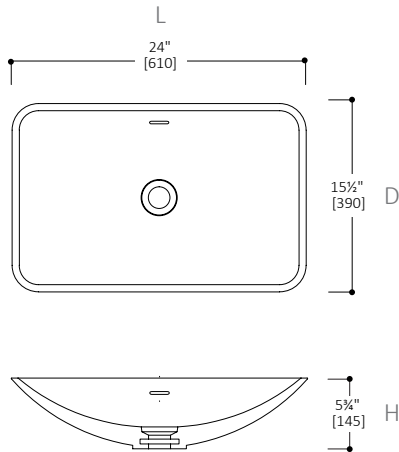
SA0107N37.01- 02M, 03M, 04M, 06M, 07M, 08M, 09M*

SA0107N37.01- 02G, 03G, 04G, 06G, 07G, 08G, 09G*

**luna****SA0107N38-01M**

- 15" DIA x 5½" H / 380mm DIA x 140mm H
- Round blu-stone™ countertop vessel basin without overflow
- Includes matching blu-stone™ waste cover
- Only available in White Matte finish
- Recommend QTW-0120 push button waste; designed for use with blu-stone™ waste cover or SC015 universal push button waste
- Limited stock item

Special Order Finishes

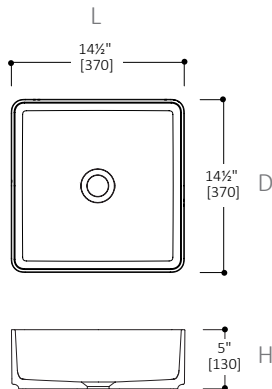


metrix

**SA0204.01-01M
SA0204.01-01G***

- 24" L x 15 1/2" D x 5 3/4" H / 610mm L x 390mm D x 145mm H
- Rectangular blu-stone™ countertop vessel basin with slot overflow
- Includes matching blu-stone™ waste cover
- Available in a range of blu-stone™ colors + finishes
- Recommend QTW-0121 push button waste; designed for use with blu-stone™ waste cover or SC015 universal push button waste

SA0204.01- 02M, 03M, 04M, 06M, 07M, 08M, 09M*
SA0204.01- 02G, 03G, 04G, 06G, 07G, 08G, 09G*

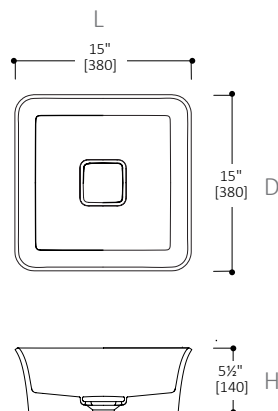


metrix

**SA0209N37.01-01M
SA0209N37.01-01G***

- 14 1/2" L x 14 1/2" D x 5" H / 370mm L x 370mm D x 130mm H
- Square blu-stone™ countertop vessel basin without overflow
- Includes matching blu-stone™ waste cover
- Available in a range of blu-stone™ colors + finishes
- Recommend QTW-0120 push button waste; designed for use with blu-stone™ waste cover or SC015 universal push button waste

SA0209N37.01 - 02M, 03M, 04M, 06M, 07M, 08M, 09M*
SA0209N37.01 - 02G, 03G, 04G, 06G, 07G, 08G, 09G*

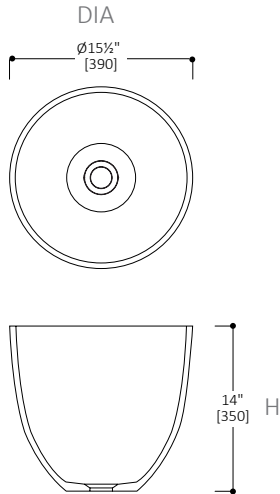


luna

SA0209N38-01M

- 15" L x 15" D x 5 1/2" H / 380mm L x 380mm D x 140mm H
- Square blu-stone™ countertop vessel basin without overflow
- Includes matching blu-stone™ waste cover
- Only available in White Matte finish
- Recommend QTW-0120 push button waste; designed for use with blu-stone™ waste cover or SC015 universal push button waste
- Limited stock item





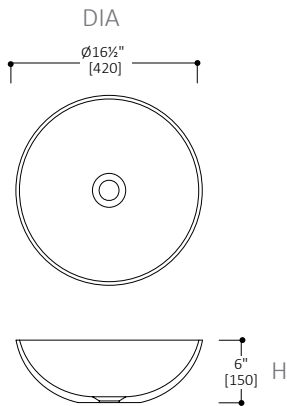
coco

SA0107N10-01M
SA0107N10-01G*

[SA0210]

- 15½" DIA x 14" H / 390mm DIA x 350mm H
- Round blu-stone™ countertop vessel basin without overflow
- Includes matching blu-stone™ waste cover
- Available in a range of blu-stone™ colors + finishes
- Recommend QTW-0120 push button waste; designed for use with blu-stone™ waste cover or SC015 universal push button waste

SA0107N10- 02M, 03M, 04M, 06M, 07M, 08M, 09M*
SA0107N10- 02G, 03G, 04G, 06G, 07G, 08G, 09G*



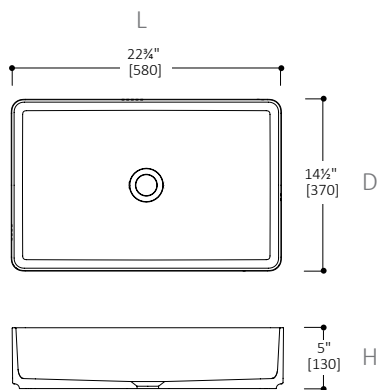
coco

SA0107N11-01M
SA0107N11-01G*

[SA0211]

- 16½" DIA x 6" H / 420mm DIA x 150mm H
- Round blu-stone™ countertop vessel basin without overflow
- Includes matching blu-stone™ waste cover
- Available in a range of blu-stone™ colors + finishes
- Recommend QTW-0120 push button waste; designed for use with blu-stone™ waste cover or SC015 universal push button waste

SA0107N11- 02M, 03M, 04M, 06M, 07M, 08M, 09M*
SA0107N11- 02G, 03G, 04G, 06G, 07G, 08G, 09G*



metrix

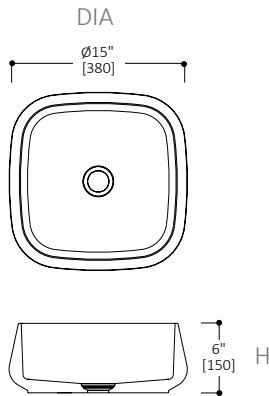
SA0305N37.01-01M
SA0305N37.01-01G*

- 22¾" L x 14½" D x 5" H / 580mm L x 370mm D x 130mm H
- Rectangular blu-stone™ countertop vessel basin without overflow
- Includes matching blu-stone™ waste cover
- Available in a range of blu-stone™ colors + finishes
- Recommend QTW-0120 push button waste; designed for use with blu-stone™ waste cover or SC015 universal push button waste

SA0305N37.01- 02M, 03M, 04M, 06M, 07M, 08M, 09M*
SA0305N37.01- 02G, 03G, 04G, 06G, 07G, 08G, 09G*

Special Order Finishes





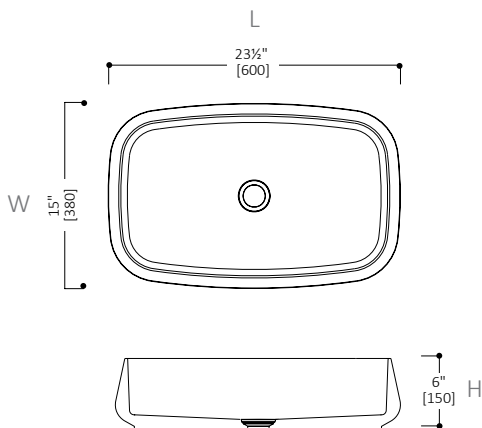
sereno

SA0208.01-01M

SA0208.01-01G*

[SA0307]

- 15" DIA x 6" H / 380mm DIA x 150mm H
 - round blu·stone™ countertop vessel basin without overflow
 - Includes matching blu·stone™ waste cover
 - Available in a range of blu·stone™ colors + finishes
 - Recommend QTW-0120 push button waste; designed for use with blu·stone™ waste cover or SC015 universal push button waste
- SA0208.01- 02M, 03M, 04M, 06M, 07M, 08M, 09M*
- SA0208.01- 02G, 03G, 04G, 06G, 07G, 08G, 09G*



sereno

SA0208N38-01M

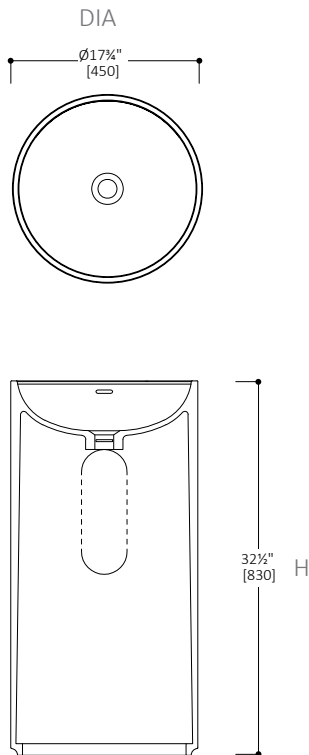
SA0208N38-01G*

[SA0307N38]

- 23½" L x 15" W x 6" H / 600mm L x 380 W x 150mm H
 - oval blu·stone™ countertop vessel basin without overflow
 - Includes matching blu·stone™ waste cover
 - Available in a range of blu·stone™ colors + finishes
 - Recommend QTW-0120 push button waste; designed for use with blu·stone™ waste cover or SC015 universal push button waste
- SA0208N38- 02M, 03M, 04M, 06M, 07M, 08M, 09M*
- SA0208N38- 02G, 03G, 04G, 06G, 07G, 08G, 09G*

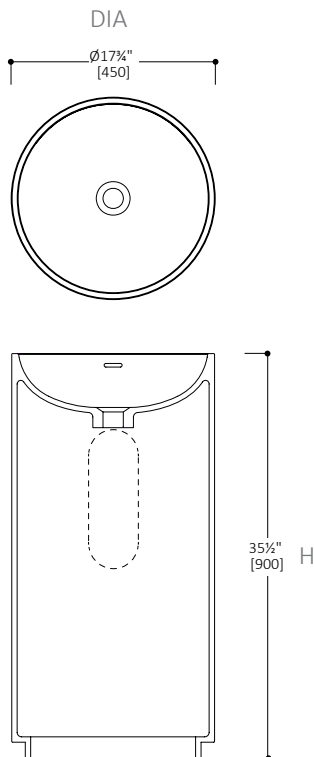
52 *Special Order finishes require a 16+ week lead time upon 50% deposit confirmation



**coco****SA0510.01-01M**
SA0510.01-01G*

- 17¾" DIA x 32½" H / 450mm DIA x 830mm H
 - Round blu-stone™ freestanding pedestal basin with slot overflow
 - Includes matching blu-stone™ waste cover
 - Available in a range of blu-stone™ colors + finishes
 - Recommend QTW-0121 push button waste; designed for use with blu-stone™ waste cover or SC015 universal push button waste
- SA0510.01- 02M, 03M, 04M, 06M, 07M, 08M, 09M*
- SA0510.01- 02G, 03G, 04G, 06G, 07G, 08G, 09G*

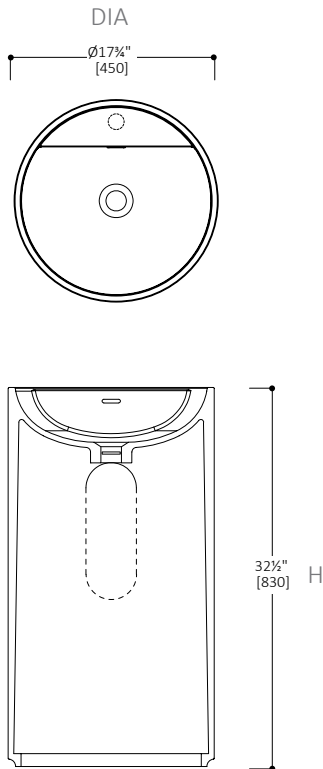
* dashed line is cut out for drain connection

**coco****SA0510-01M**

- 17¾" DIA x 35½" H / 450mm DIA x 900mm H
- Round blu-stone™ freestanding pedestal basin with slot overflow
- Includes matching blu-stone™ waste cover
- Only available in White Matte finish
- Recommend QTW-0121 push button waste; designed for use with blu-stone™ waste cover or SC015 universal push button waste
- Limited stock item

* dashed line is cut out for drain connection

Special Order Finishes

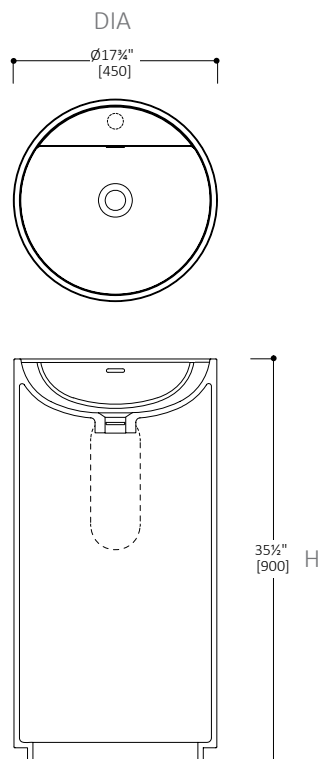
**coco****SA0511.01-01M**
SA0511.01-01G*

- 17¼" DIA x 32½" H / 450mm DIA x 830mm H
- Round blu-stone™ freestanding, single-hole pedestal basin with overflow
- Includes matching blu-stone™ waste cover
- Knockout pre-drilled for deck-mount faucet
- Available in a range of blu-stone™ colors + finishes
- Recommend QTW-0121 push button waste; designed for use with blu-stone™ waste cover or SC015 universal push button waste

SA0511.01- 02M, 03M, 04M, 06M, 07M, 08M, 09M*

SA0511.01- 02G, 03G, 04G, 06G, 07G, 08G, 09G*

* dashed line is cut out for drain connection

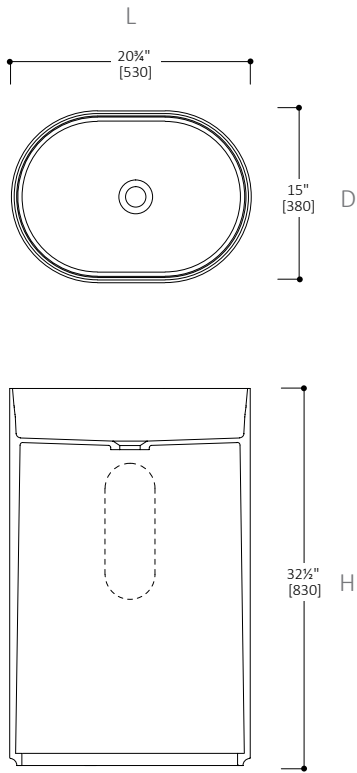
**coco****SA0511-01M**

- 17¼" DIA x 35½" H / 450mm DIA x 900mm H
- Round blu-stone™ freestanding, single-hole pedestal basin with overflow
- Includes matching blu-stone™ waste cover
- Knockout pre-drilled for deck-mount faucet
- Only available in White Matte finish
- Recommend QTW-0121 push button waste; designed for use with blu-stone™ waste cover or SC015 universal push button waste
- Limited stock item

* dashed line is cut out for drain connection

Special Order Finishes

*Special Order finishes require a 16+ week lead time upon 50% deposit confirmation

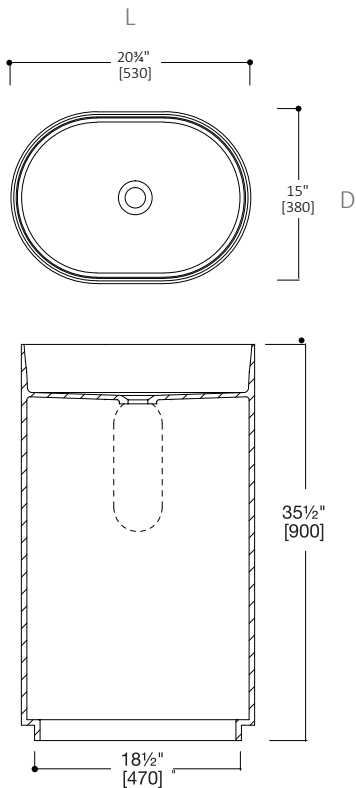


halo

SA0512.01-01M
SA0512.01-01G*

- 20 3/4" L x 15" D x 32 1/2" H / 530mm L x 380mm D x 850mm H
 - Oval blu·stone™ freestanding pedestal basin without overflow
 - Includes matching blu·stone™ waste cover
 - Available in a range of blu·stone™ colors + finishes
 - Recommend QTW-0120 push button waste; designed for use with blu·stone™ waste cover or SC015 universal push button waste
- SA0512.01- 02M, 03M, 04M, 06M, 07M, 08M, 09M*
SA0512.01- 02G, 03G, 04G, 06G, 07G, 08G, 09G*

* dashed line is cut out for drain connection

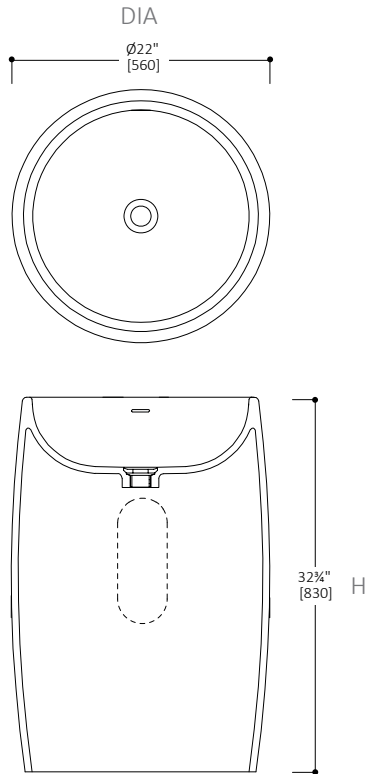


halo

SA0512-01M

- 20 3/4" L x 15" D x 35 1/2" H / 530mm L x 380mm D x 900mm H
 - Oval blu·stone™ freestanding pedestal basin without overflow
 - Includes matching blu·stone™ waste cover
 - Available in a range of blu·stone™ colors + finishes
 - Recommend QTW-0120 push button waste; designed for use with blu·stone™ waste cover or SC015 universal push button waste
- Limited Stock Item

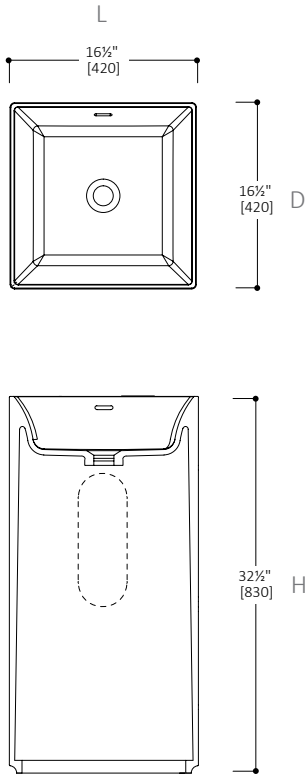
* dashed line is cut out for drain connection

**halo****SA0507.01-01M**

- 22" DIA x 32 3/4" H / 560mm DIA x 830mm H
- Round blu-stone™ freestanding pedestal basin with slot overflow
- Includes matching blu-stone™ waste cover
- Recommend QTW-0121 push button waste; designed for use with blu-stone™ waste cover or SC015 universal push button waste

Limited Stock item

* dashed line is cut out for drain connection

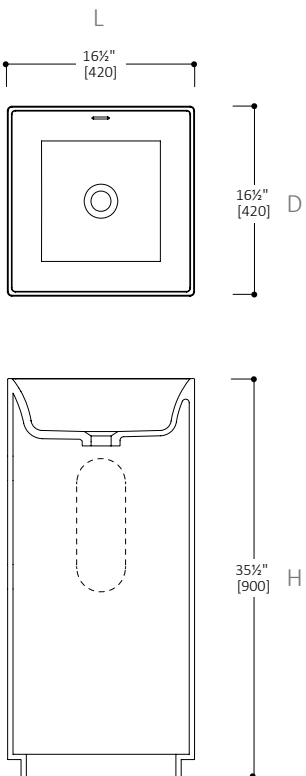


metrix

**SA0508.01-01M
SA0508.01-01G***

- 16½" L x 16½" D x 32½" H / 420mm L x 420mm D x 830mm H
 - Square blu-stone™ freestanding pedestal basin with overflow
 - Includes matching blu-stone™ waste cover
 - Available in a range of blu-stone™ colors + finishes
 - Recommend QTW-0121 push button waste; designed for use with blu-stone™ waste cover or SC015 universal push button waste
- SA0508.01- 02M, 03M, 04M, 06M, 07M, 08M, 09M*
SA0508.01- 02G, 03G, 04G, 06G, 07G, 08G, 09G*

* dashed line is cut out for drain connection



metrix

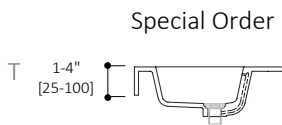
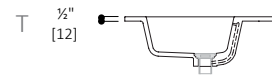
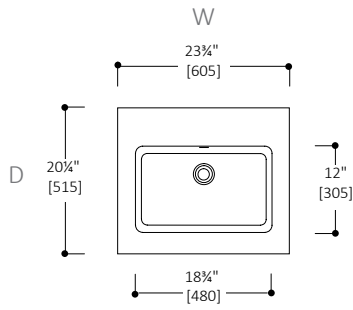
SA0508-01M

- 16½" L x 16½" D x 35½" H / 420mm L x 420mm D x 900mm H
- Square blu-stone™ freestanding pedestal basin with overflow
- Includes matching blu-stone™ waste cover
- Only available in White Matte finish
- Recommend QTW-0121 push button waste; designed for use with blu-stone™ waste cover or SC015 universal push button waste
- Limited stock item

* dashed line is cut out for drain connection

*Special Order finishes require a 16+ week lead time upon 50% deposit confirmation





1/2" apron thickness

SA0600.01-01M
SA0600.01-01G*

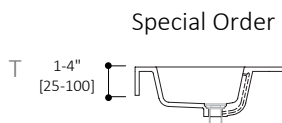
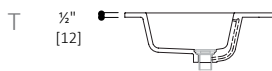
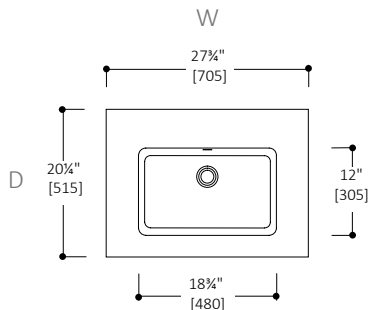
- 23 3/4" W x 20 3/4" D x 1/2" T / 605mm W x 515mm D x 12mm T
- blu-stone™ vanity top with integrated basin and integral slot overflow
- Basin: 18 3/4" W x 5" H x 12" D / 480mm W x 128mm H x 305mm D
- Knockouts may be drilled on-site for deck-mount faucet
- Includes matching blu-stone™ waste cover
- Available in a range of blu-stone™ colors + finishes
- Designed to coordinate with series 600 51 collection vanity only
- Recommend QTW-0121 push button waste; designed for use with blu-stone™ waste cover or SC015 universal push button waste

1/2" apron thickness

SA0600.01- 02M, 03M, 04M, 06M, 07M, 08M, 09M*
SA0600.01- 02G, 03G, 04G, 06G, 07G, 08G, 09G*

1 - 4" apron thickness

SA0610.01-01M*
(advise height when ordering)



1/2" apron thickness

SA0700.01-01M
SA0700.01-01G*

- 27 3/4" W x 20 3/4" D x 1/2" T / 705mm W x 515mm D x 12mm T
- blu-stone™ vanity top with integrated basin and integral slot overflow
- Basin: 18 3/4" W x 5" H x 12" D / 480mm W x 128mm H x 305mm D
- Knockouts may be drilled on-site for deck-mount faucet
- Includes matching blu-stone™ waste cover
- Available in a range of blu-stone™ colors + finishes
- Designed to coordinate with series 700 45^o or 51 collection vanities (refer to pg 102 B)
- Recommend QTW-0121 push button waste; designed for use with blu-stone™ waste cover or SC015 universal push button waste

1/2" apron thickness

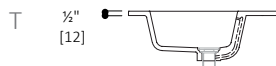
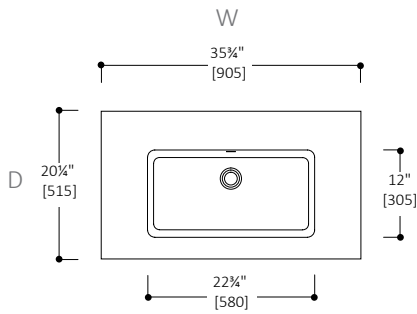
SA0700.01- 02M, 03M, 04M, 06M, 07M, 08M, 09M*
SA0700.01- 02G, 03G, 04G, 06G, 07G, 08G, 09G*

1 - 4" apron thickness

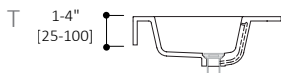
SA0710.01-01M*
(advise height when ordering)

Special Order Finishes





Special Order



1/2" apron thickness

SA0900.01-01M
SA0900.01-01G*

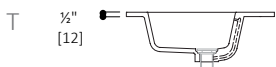
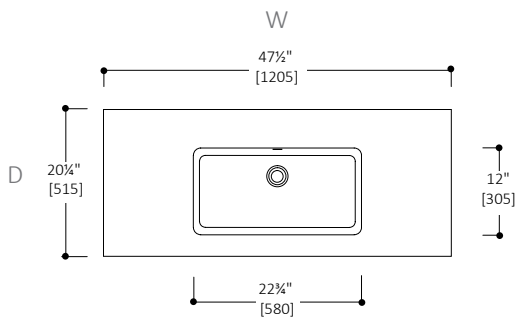
- 35 3/4" W x 20 3/4" D x 1/2" T / 905mm W x 515mm D x 12mm T
- blu-stone™ vanity top with integrated basin and integral slot overflow
- Basin: 18 3/4" W x 5" H x 12" D / 480mm W x 128mm H x 305mm D
- Knockouts may be drilled on-site for deck-mount faucet
- Includes matching blu-stone™ waste cover
- Available in a range of blu-stone™ colors + finishes
- Designed to coordinate with series 900 45^o or 51 collection vanities
- Recommend QTW-0121 push button waste; designed for use with blu-stone™ waste cover or SC015 universal push button waste

1/2" apron thickness

SA0900.01- 02M, 03M, 04M, 06M, 07M, 08M, 09M*
SA0900.01- 02G, 03G, 04G, 06G, 07G, 08G, 09G*

1 - 4" apron thickness

SA0910.01-01M*
(advise height when ordering)



Special Order



1/2" apron thickness

SA1200.01-01M
SA1200.01-01G*

- 47 1/2" W x 20 3/4" D x 1/2" T / 1205mm W x 515mm D x 12mm T
- blu-stone™ vanity top with integrated basin and integral slot overflow
- Basin: 22 3/4" W x 5" H x 12" D / 580mm W x 128mm H x 305mm D
- Knockouts may be drilled on-site for deck-mount faucet
- Includes matching blu-stone™ waste cover
- Available in a range of blu-stone™ colors + finishes
- Designed to coordinate with series 1200 45^o or 51 collection vanities
- Recommend QTW-0121 push button waste; designed for use with blu-stone™ waste cover or SC015 universal push button waste

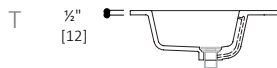
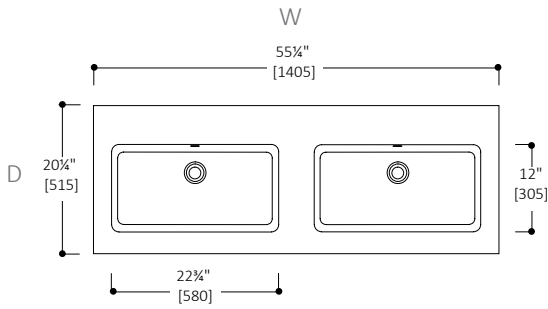
1/2" apron thickness

SA1200.01- 02M, 03M, 04M, 06M, 07M, 08M, 09M*
SA1200.01- 02G, 03G, 04G, 06G, 07G, 08G, 09G*

1 - 4" apron thickness

SA1210.01-01M*
(advise height when ordering)





Special Order



1/2" apron thickness

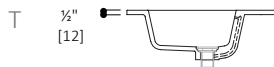
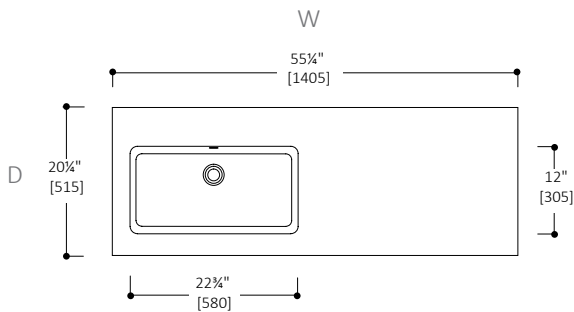
SA1400.01-01M
SA1400.01-01G*

- 55 1/4" W x 20 3/4" D x 1/2" T / 1405mm W x 515mm D x 12mm T
- blu-stone™ double vanity top with integrated basins and integral slot overflows
- Basins: 22 3/4" W x 5" H x 12" D / 580mm W x 128mm H x 305mm D
- Knockouts may be drilled on-site for deck-mount faucet
- Includes matching blu-stone™ waste covers
- Only available in White Matte or White Gloss finish
- Designed to coordinate with series 1400 45º or 51 collection vanities
- Recommend QTW-0121 push button waste; designed for use with blu-stone™ waste cover or SC015 universal push button waste (refer to pg 31 A)

1 - 4" apron

SA1410.01-01M*

(advise height when ordering)



Special Order



1/2" apron thickness

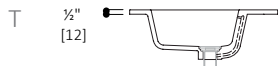
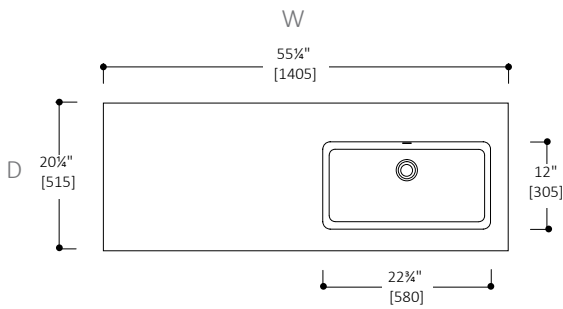
SA1401.01-01M
SA1401.01-01G*

- 55 1/4" W x 20 3/4" D x 1/2" T / 1405mm W x 515mm D x 12mm T
- blu-stone™ vanity top with integrated left offset basin and integral slot overflow
- Basin: 22 3/4" W x 5" H x 12" D / 580mm W x 128mm H x 305mm D
- Knockouts may be drilled on-site for deck-mount faucet
- Includes matching blu-stone™ waste cover
- Only available in White Matte or White Gloss finish
- Designed to coordinate with series 1400 45º or 51 collection series
- Recommend QTW-0121 push button waste; designed for use with blu-stone™ waste cover or SC015 universal push button waste

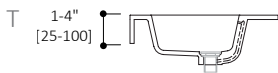
1 - 4" apron

SA1411.01-01M*

(advise height when ordering)



Special Order



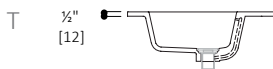
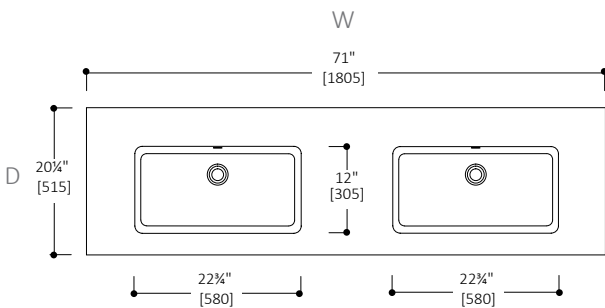
1/2" apron thickness

SA1402.01-01M
SA1402.01-01G*

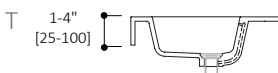
- 55 1/4" W x 20 1/4" D x 1/2" T / 1405mm W x 515mm D x 12mm T
- blu-stone™ vanity top with integrated right offset basin and integral slot overflow
- Basin: 22 3/4" W x 5" H x 12" D / 580mm W x 128mm H x 305mm D
- Knockouts may be drilled on-site for deck-mount faucet
- Includes matching blu-stone™ waste cover
- Only available in White Matte or White Gloss finish
- Designed to coordinate with series 1400 45° or 51 collection vanities
- Recommend QTW-0121 push button waste; designed for use with blu-stone™ waste cover or SC015 universal push button waste

1 - 4" apron

SA1412.01-01M*
(advise height when ordering)



Special Order



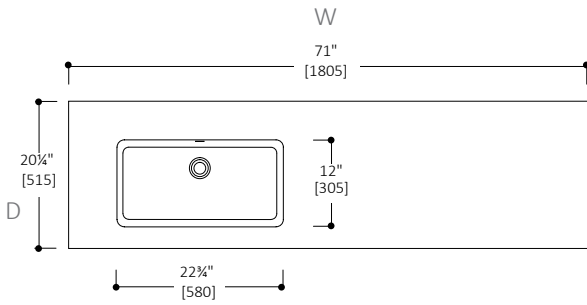
1/2" apron thickness

SA1800.01-01M
SA1800.01-01G*

- 71" W x 20 1/4" D x 1/2" T / 1805mm W x 515mm D x 12mm T
- blu-stone™ double vanity top with integrated basins and integral slot overflows
- Basins: 22 3/4" W x 5" H x 12" D / 580mm W x 128mm H x 305mm D
- Knockouts may be drilled on-site for deck-mount faucet
- Includes matching blu-stone™ waste covers
- Only available in White Matte or White Gloss finish
- Designed to coordinate with series 1800 45° or 51 collection vanities.
- Recommend QTW-0121 push button waste; designed for use with blu-stone™ waste cover or SC015 universal push button waste

1 - 4" apron

SA1810.01-01M*
(advise height when ordering)



1/2" apron thickness

SA1801.01-01M*
SA1801.01-01G*

- 71" W x 20 1/4" D x 1/2" T / 1805mm W x 515mm D x 12mm T
- blu-stone™ vanity top with integrated left offset basin and integral slot overflow
- Basin: 22 3/4" W x 5" H x 12" D / 580mm W x 128mm H x 305mm D
- Knockouts may be drilled on-site for deck-mount faucet
- Includes matching blu-stone™ waste cover
- Only available in White Matte or White Gloss finish
- Designed to coordinate with series 1800 45° or 51 collection vanities
- Recommend QTW-0121 push button waste; designed for use with blu-stone™ waste cover or SC015 universal push button waste



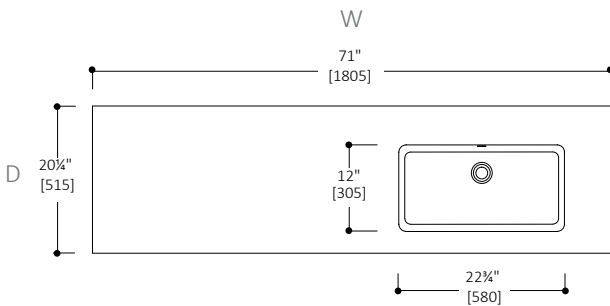
Special Order



1 - 4" apron

SA1811.01-01M*

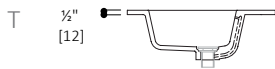
(advise height when ordering)



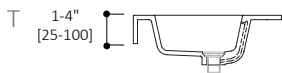
1/2" apron thickness

SA1802.01-01M*
SA1802.01-01G*

- 71" W x 20 1/4" D x 1/2" T / 1805mm W x 515mm D x 12mm T
- blu-stone™ vanity top with integrated right offset basin and integral slot overflow
- Basins: 22 3/4" W x 5" H x 12" D / 580mm W x 128mm H x 305mm D
- Knockouts may be drilled on-site for deck-mount faucet
- Includes matching blu-stone™ waste covers
- Only available in White Matte or White Gloss finish
- Designed to coordinate with series 1800 45° or 51 collection vanities
- Recommend QTW-0121 push button waste; designed for use with blu-stone™ waste cover or SC015 universal push button waste



Special Order



1 - 4" apron

SA1812.01-01M*

(advise height when ordering)

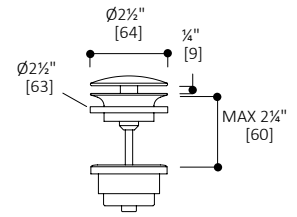
SC015

[QTW-0150]

- Universal push button waste,
- Suitable for both overflow and no overflow applications
- Shrouded threads + tailpiece included with waste
- Stainless steel AISI316L

finish

- AS
- ON*
- OC*
- OR*

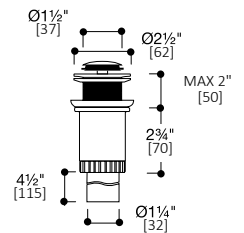


QTW-0120

- Push button waste without overflow
- Shrouded threads + tailpiece included with waste
- Stainless steel AISI316L
- Designed for use with blu-stone™ waste cover

finish

- AS

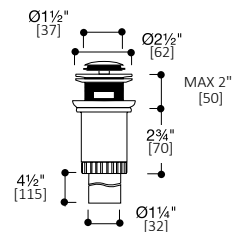


QTW-0121

- Push button waste with overflow
- Shrouded threads + tailpiece included with waste
- Stainless steel AISI316L
- Designed for use with blu-stone™ waste cover

finish

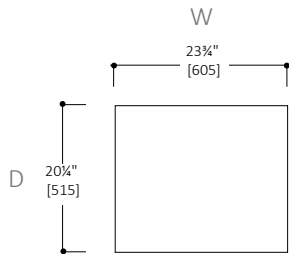
- AS





blu-stone™ vessel basin metrix SA0305N37.01-01M
blu-stone™ countertop SAC1200.01-01M
source series deck faucet 1202-OR

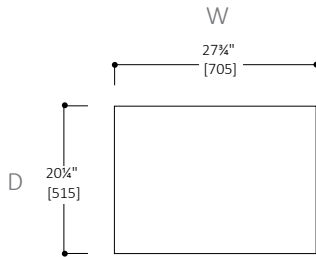




1/2" thickness

SAC0600.01-01M*

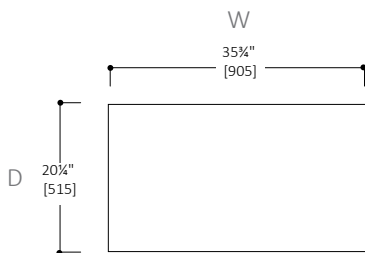
- 23 3/4" W x 20 1/4" D x 1/2" T / 605mm W x 515mm D x 12mm T
- blu-stone™ vanity countertop
- May be drilled on-site for deck-mount faucet installation
- Only available in White Matte finish
- Designed to coordinate with series 600 51 collection vanity only



1/2" thickness

SAC0700.01-01M*

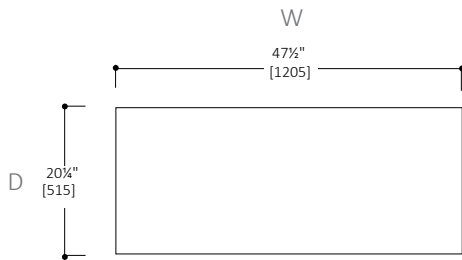
- 27 3/4" W x 20 1/4" D x 1/2" T / 705mm W x 515mm D x 12mm T
- blu-stone™ vanity countertop
- May be drilled on-site for deck-mount faucet installation
- Only available in White Matte finish
- Designed to coordinate with series 700 45° or 51 collection vanities



1/2" thickness

SAC0900.01-01M*

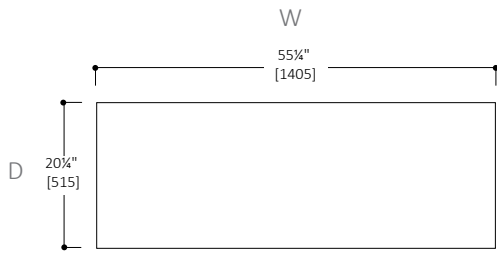
- 35 3/4" W x 20 1/4" D x 1/2" T / 905mm W x 515mm D x 12mm T
- blu-stone™ vanity countertop
- May be drilled on-site for deck-mount faucet installation
- Only available in White Matte finish
- Designed to coordinate with series 900 45° or 51 collection vanities



1/2" thickness

SAC1200.01-01M*

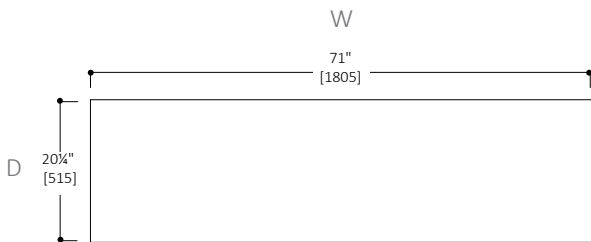
- 47 1/2" W x 20 1/4" D x 1/2" T / 1205mm W x 515mm D x 12mm T
- blu-stone™ vanity countertop
- May be drilled on-site for deck-mount faucet installation
- Only available in White Matte finish
- Designed to coordinate with series 1200 45° or 51 collection vanity



1/2" thickness

SAC1400.01-01M*

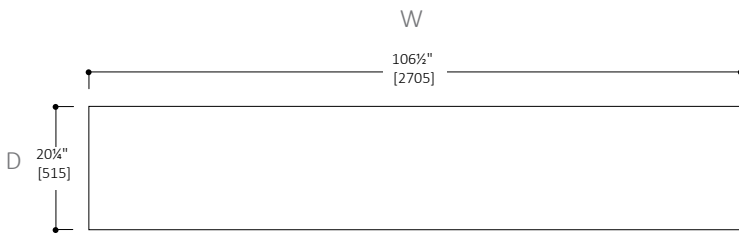
- 55 1/4" W x 20 1/4" D x 1/2" T / 1405mm W x 515mm D x 12mm T
- blu-stone™ vanity countertop
- May be drilled on-site for deck-mount faucet installation
- Only available in White Matte finish
- Designed to coordinate with series 1400 45° or 51 collection vanities



1/2" thickness

SAC1800.01-01M*

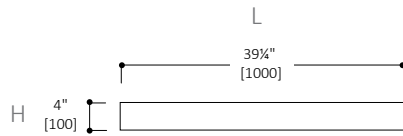
- 71" W x 20 1/4" D x 1/2" T / 1805mm W x 515mm D x 12mm T
- blu-stone™ vanity countertop
- May be drilled on-site for deck-mount faucet installation
- Only available in White Matte finish
- Designed to coordinate with series 1800 45° or 51 collection vanities .



1/2" thickness

SAC2700.01-01M*

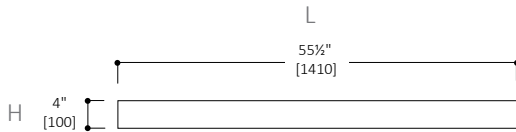
- 106 1/2" W x 20 1/4" D x 1/2" T / 2705mm W x 515mm D x 12mm T
- blu-stone™ vanity countertop
- May be drilled on-site for deck-mount faucet installation
- Can be cut to fit on-site
- Only available in White Matte finish
- Coordinate with custom-built vanities or with multiple 45° or 51 collection vanity combinations, including:
 - 3x series 900 vanities,
 - 2x series 1200 vanities
 - 1x series 1400 vanity + 1x series 900 vanity
 - 1x series 1800 vanity + 1x series 900 vanity
 - 1x series 1800 vanity, allowing for additional counter space



1/2" thickness

SABS1000.01-01M*

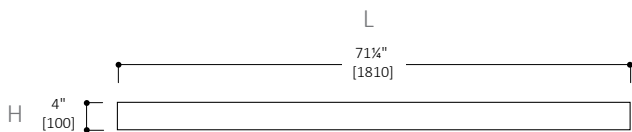
- 39 1/4" W x 4" H x 1/2" D / 1000mm W x 100mm H x 12mm D
- Seamless, blu·stone™ vanity backsplash
- Can be cut to fit on-site
- Only available in White Matte finish
- Coordinate with 45° or 51 collection vanities including: series 600 / 700 / 900



1/2" thickness

SABS1400.01-01M*

- 55 1/2" W x 4" H x 1/2" D / 1410mm W x 100mm H x 12mm D
- Seamless, blu·stone™ vanity backsplash
- Can be cut to fit on-site
- Only available in White Matte finish
- Coordinate with 45° or 51 collection vanities including: series 1200 (to be cut on-site) / 1400



1/2" thickness

SABS1800.01-01M*

- 71 1/4" W x 4" H x 1/2" D / 1810mm W x 100mm H x 12mm D
- Seamless, blu·stone™ vanity backsplash
- Can be cut to fit on-site
- Only available in White Matte finish
- Coordinate with 45° or 51 collection vanities including: series 1800

blu·stone™

designer series

shower bases



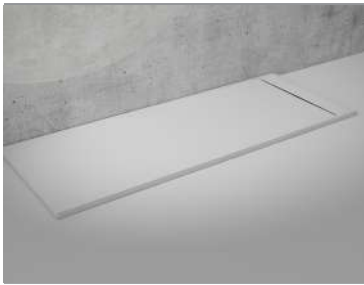
blu·stone™ shower base SB3684-01M

blu·stone™ shower base SB3684-04M



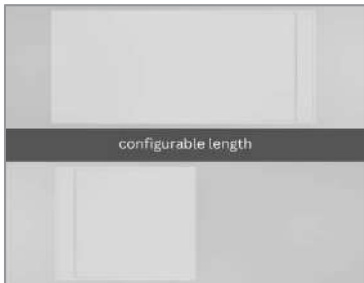
features + benefits

Blu Bathworks blu-stone™ shower bases are crafted from our signature, eco-friendly blu-stone™ material, offering a sleek, low-profile 1¼" threshold for a seamless, modern look. Unlike traditional tile showers, they install faster, with lower costs and minimal maintenance, no grout lines to clean or risk of leaks. Designed for exceptional durability, they are available in multiple lengths with 32" or 36" width options and can be cut on-site for a precise fit, providing greater design flexibility.



blu-stone™

Shower bases are molded from our blu-stone™ material that looks and feels like natural stone. This 70% quartzite, high pressure injection mold is exceptionally durable, repairable, and is both stain and scratch resistant. Also, our blu-stone™ shower bases do not require regular maintenance like tile and alternative materials, such as resealing grout.



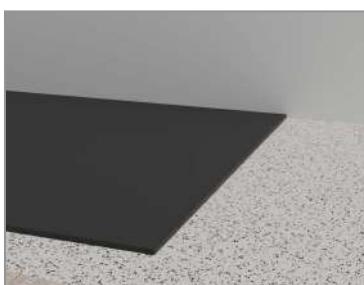
Design Flexibility

This versatile shower base offers adjustable length customization from 48" to 96" , making it ideal for new construction and renovations. Designed for adaptability, it can be trimmed on-site to fit unique layouts or work around architectural constraints. With multiple width options and center drain configurations, it accommodates various installation needs. For a seamless aesthetic, it pairs effortlessly with our blu-stone™ bathtubs, sinks, and vanity countertops.



One-Piece Design

Architecturally beautiful, the practical benefits of a seamless one-piece blu-stone™ shower base include the prevention of growth of mildew and mold, that typically occurs with grout. One-piece design also reduces the likelihood of leakage from the cracks in tiles and other alternatives. The shower base is thoughtfully molded to include a sloped floor that ensures water run-off through the drain only.



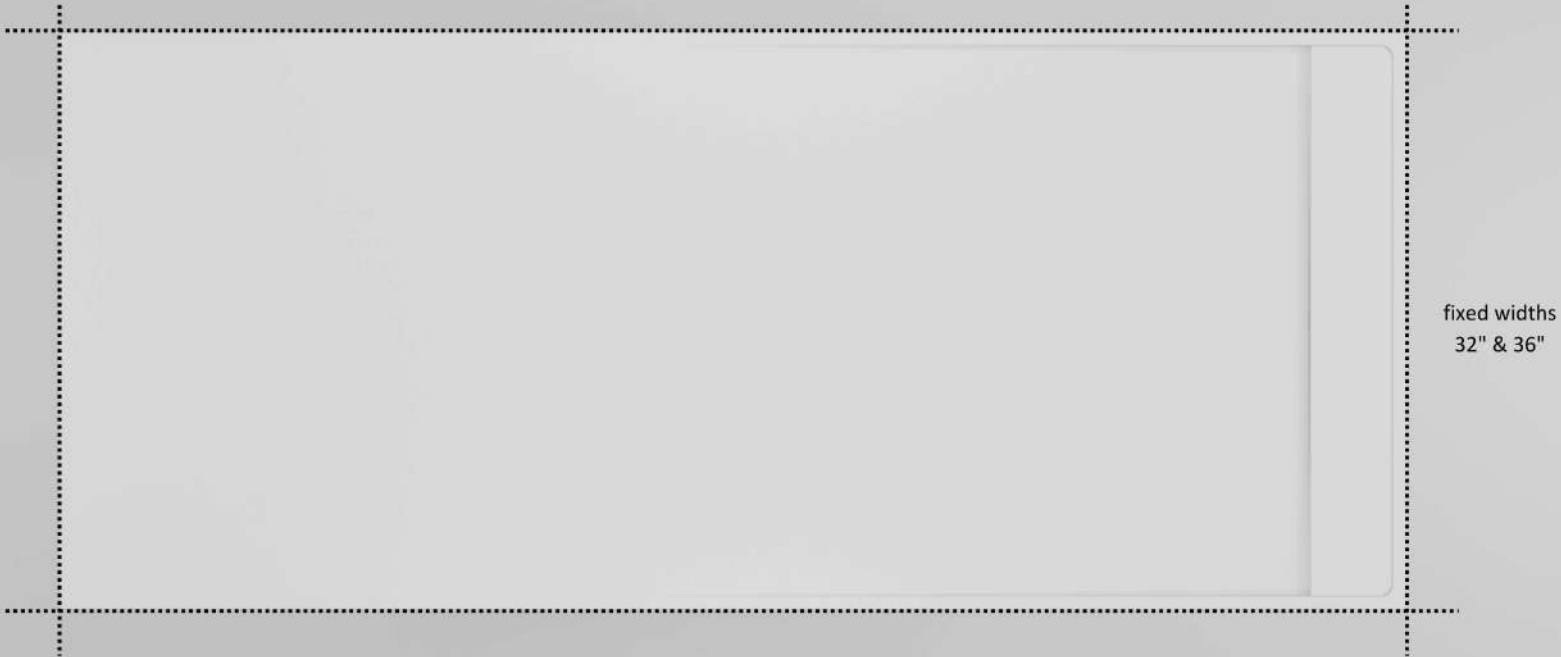
Easy Installation

Precision engineered with a low 1¼" threshold makes the blu-stone™ shower base an ease to install in any bathroom application. Whether it is surface-mounted or recessed, the shower base requires less labor and its associated cost to install.



blu-stone™ shower base SB3684-01M

customizable length (48" - 96")



colors + finishes

Material:

blu-stone™

Solid Surface Material: 70%
quartzite + 30% bio-resin

finishes

Matte: Visually luminous and
highly tactile, matte finish is
soft and almost warm to the
touch and evokes a minimalist
architectural quality

How to order blu-stone™ shower bases:

Showerbase SKU + blu-stone™ color & finish

eg. blu-stone™ shower base in Black Matte (04M) finish = SB3672-04M

blu·stone™ shower bases

Please refer to blu·stone™ sample chips for true finish and color.

stocked

white

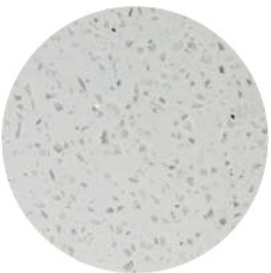


matte - 01M

special order*

Max 50% discount

quartz



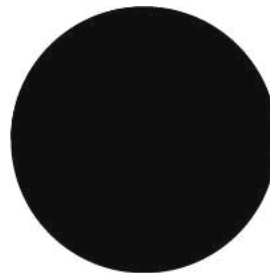
matte - 02M

slate



matte - 03M

black - 04



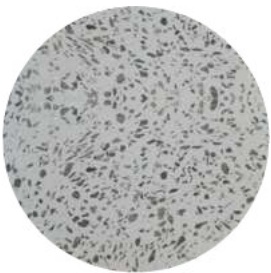
matte - 04M

concrete



matte - 06M

granite



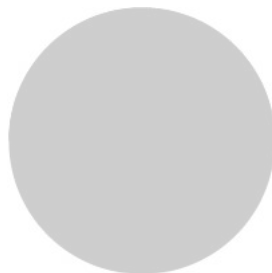
matte - 07M

biscuit

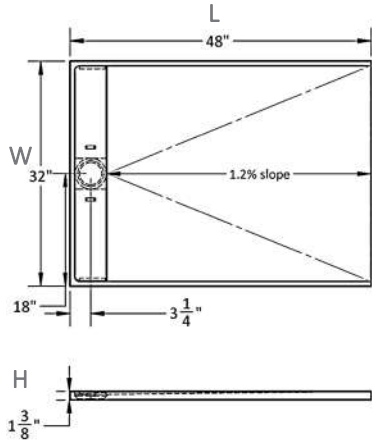


matte - 08M

marble



matte - 09M

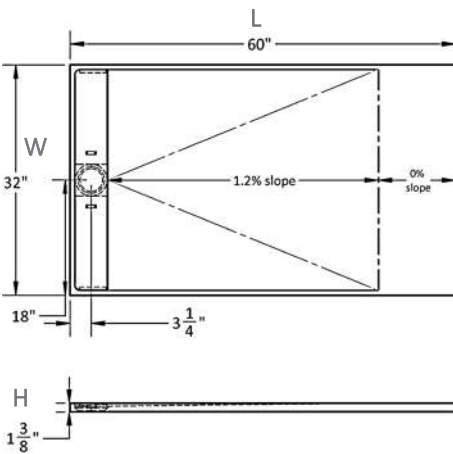


1 3/4" thickness

SB3248-01M

- 48" L x 32" W x 1 3/4" H / 1220mm L x 813mm W x 35mm H
- One-piece blu-stone™ shower base with removable blu-stone™ drain cover
- End drain with standard 3 1/2" drain opening
- Cement-like textured, non-slip surface
- Easily customizable, can be cut to fit on-site using a circular saw with a diamond blade.
- Available in all range of blu-stone™ colors
- Alcove installation requires separate tile flange, TF.BTSB

SB3248 - 02M/03M/04M/06M/07M/08M/09M*

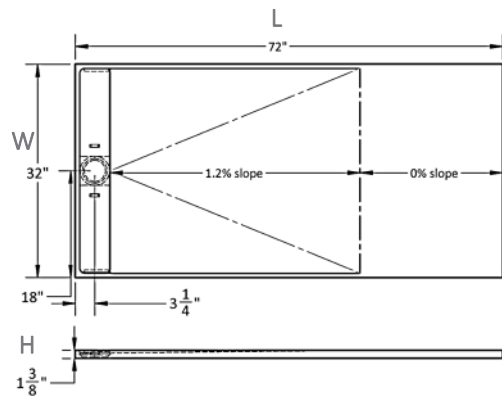


1 3/4" thickness

SB3260-01M

- 60" L x 32" W x 1 3/4" H / 1524mm L x 813mm W x 35mm H
- One-piece blu-stone™ shower base with removable blu-stone™ drain cover
- End drain with standard 3 1/2" drain opening
- Cement-like textured, non-slip surface
- Easily customizable, can be cut to fit on-site using a circular saw with a diamond blade.
- Available in all range of blu-stone™ colors
- Alcove installation requires separate tile flange, TF.BTSB

SB3260 - 02M/03M/04M/06M/07M/08M/09M*



1 3/4" thickness

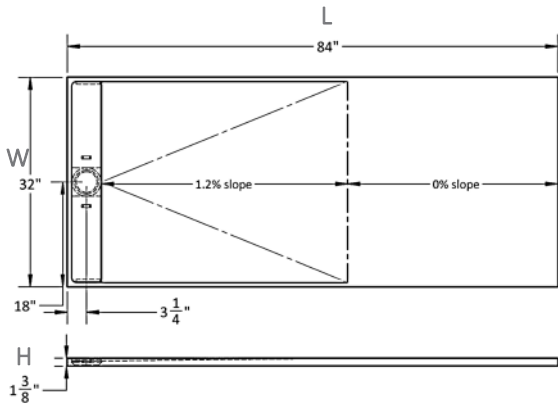
SB3272-01M

- 72" L x 32" W x 1 3/4" H / 1829mm L x 813mm W x 35mm H
- One-piece blu-stone™ shower base with removable blu-stone™ drain cover
- End drain with standard 3 1/2" drain opening
- Cement-like textured, non-slip surface
- Easily customizable, can be cut to fit on-site using a circular saw with a diamond blade.
- Available in all range of blu-stone™ colors
- Alcove installation requires separate tile flange, TF.BTSB

SB3272 - 02M/03M/04M/06M/07M/08M/09M*

*Special Order finishes require a 16+ week lead time upon 50% deposit confirmation



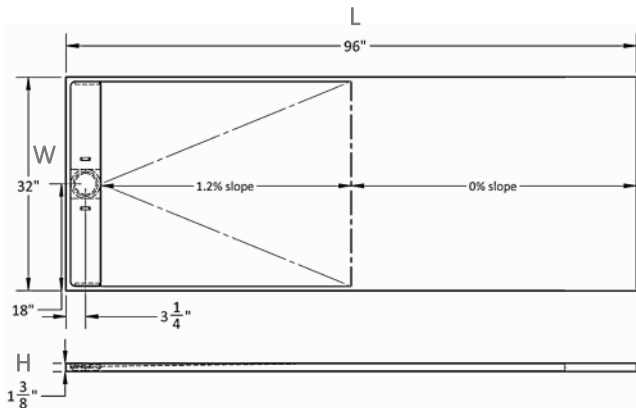


1 3/4" thickness

SB3284-01M

- 84" L x 32" W x 1 3/4" H / 2135mm L x 813mm W x 35mm H
- One-piece blu·stone™ shower base with removable blu·stone™ drain cover
- End drain with standard 3 1/2" drain opening
- Cement-like textured, non-slip surface
- Easily customizable, can be cut to fit on-site using a circular saw with a diamond blade.
- Available in all range of blu·stone™ colors
- Alcove installation requires separate tile flange, TF.BTSB

SB3284 - 02M/03M/04M/06M/07M/08M/09M*

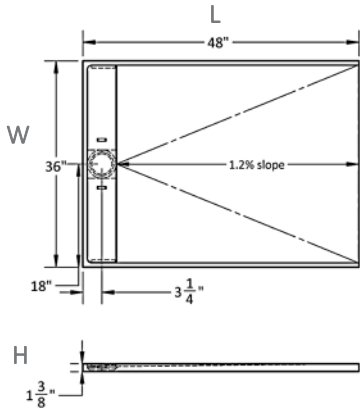


1 3/4" thickness

SB3296-01M

- 96" L x 32" W x 1 3/4" H / 2438mm L x 813mm W x 35mm H
- One-piece blu·stone™ shower base with removable blu·stone™ drain cover
- End drain with standard 3 1/2" drain opening
- Cement-like textured, non-slip surface
- Easily customizable, can be cut to fit on-site using a circular saw with a diamond blade.
- Available in all range of blu·stone™ colors
- Alcove installation requires separate tile flange, TF.BTSB

SB3296 - 02M/03M/04M/06M/07M/08M/09M*

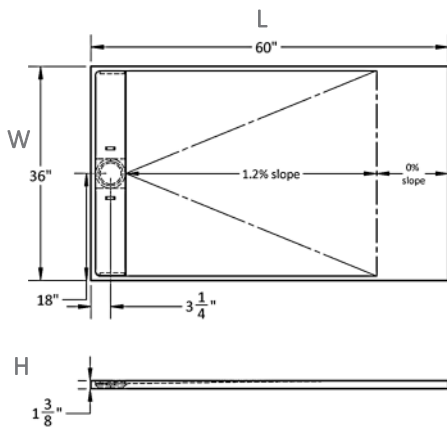


1 3/4" thickness

SB3648-01M

- 48" L x 36" W x 1 3/4" H / 1220mm L x 914mm W x 35mm H
- One-piece blu-stone™ shower base with removable blu-stone™ drain cover
- End drain with standard 3 1/2" drain opening
- Cement-like textured, non-slip surface
- Easily customizable, can be cut to fit on-site using a circular saw with a diamond blade.
- Available in all range of blu-stone™ colors
- Alcove installation requires separate tile flange, TF.BTSB

SB3648 - 02M/03M/04M/06M/07M/08M/09M*

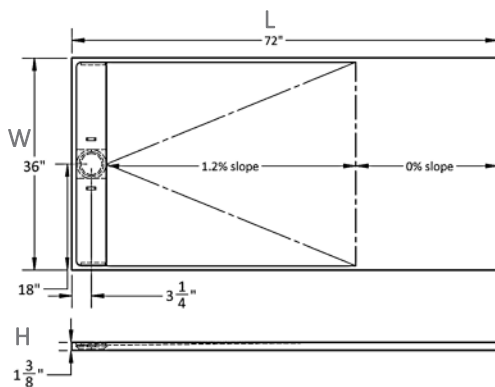


1 3/4" thickness

SB3660-01M

- 60" L x 36" W x 1 3/4" H / 1524mm L x 914mm W x 35mm H
- One-piece blu-stone™ shower base with removable blu-stone™ drain cover
- End drain with standard 3 1/2" drain opening
- Cement-like textured, non-slip surface
- Easily customizable, can be cut to fit on-site using a circular saw with a diamond blade.
- Available in all range of blu-stone™ colors
- Alcove installation requires separate tile flange, TF.BTSB

SB3660 - 02M/03M/04M/06M/07M/08M/09M*



1 3/4" thickness

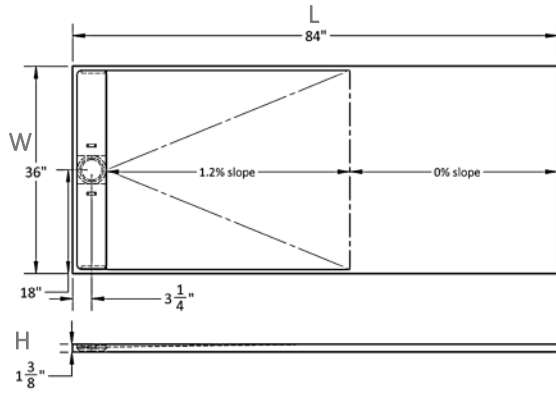
SB3672-01M

- 72" L x 36" W x 1 3/4" H / 1829mm L x 914mm W x 35mm H
- One-piece blu-stone™ shower base with removable blu-stone™ drain cover.
- End drain with standard 3 1/2" drain opening
- Cement-like textured, non-slip surface
- Easily customizable, can be cut to fit on-site using a circular saw with a diamond blade.
- Available in all range of blu-stone™ colors
- Alcove installation requires separate tile flange, TF.BTSB

SB3672 - 02M/03M/04M/06M/07M/08M/09M*

*Special Order finishes require a 16+ week lead time upon 50% deposit confirmation



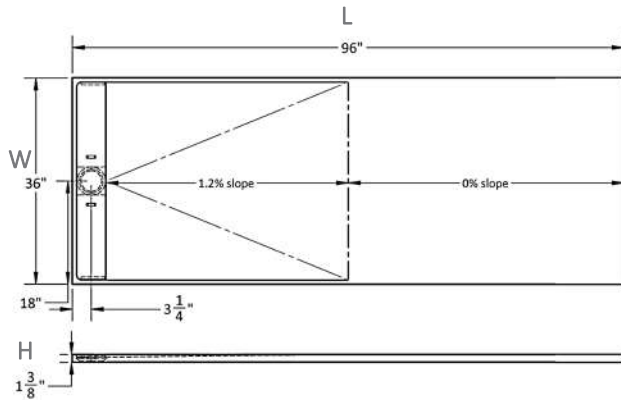


1 3/4" thickness

SB3684-01M

- 84" L x 36" W x 1 3/4" H / 2135mm L x 914mm W x 35mm H
- One-piece blu-stone™ shower base with removable blu-stone™ drain cover
- End drain with standard 3 1/2" drain opening
- Cement-like textured, non-slip surface
- Easily customizable, can be cut to fit on-site using a circular saw with a diamond blade.
- Available in all range of blu-stone™ colors
- Alcove installation requires separate tile flange, TF.BTSB

SB3684 - 02M/03M/04M/06M/07M/08M/09M*



1 3/4" thickness

SB3696-01M

- 96" L x 36" W x 1 3/4" H / 2438mm L x 914mm W x 35mm H
- One-piece blu-stone™ shower base with removable blu-stone™ drain cover
- End drain with standard 3 1/2" drain opening
- Cement-like textured, non-slip surface
- Easily customizable, can be cut to fit on-site using a circular saw with a diamond blade.
- Available in all range of blu-stone™ colors
- Alcove installation requires separate tile flange, TF.BTSB

SB3696 - 02M/03M/04M/06M/07M/08M/09M*

warranty

limited blu-stone™ residential warranty

Blu Bathworks® (“Blu”) blu-stone™ products are warranted to the original purchaser to be free from defects in all material and workmanship during normal residential use for a period of five (5) years from the date of purchase. Blu will, at its election, repair, provide a replacement part or product, or make appropriate adjustment, subject to the terms and conditions set forth in this warranty. Blu Bathworks does not recommend exceeding US/Canada maximum hot water temperature regulations of 150°F / 65°C, respectively. Exceeding stated temperatures could result in damage to blu-stone™ basins and bathtubs. Bathtub/basin drains and parts are warranted for a period of 1 year.

limited acrylic residential warranty

Blu Bathworks® (“Blu”) acrylic bathtubs are warranted to the original purchaser to be free from defects in all material and workmanship during normal residential use for a period of five (5) years from the date of purchase. Blu will, at its election, repair, provide a replacement part or product, or make appropriate adjustment, subject to the terms and conditions set forth in this warranty. Acrylic bathtub drains are warranted for a period of 1 year.

limited furniture residential warranty

Blu Bathworks® (“Blu”) furniture products are warranted to the original purchaser to be free from defects in all material and workmanship during normal residential use for a period of one (5) years from the date of purchase. Blu will, at its election, repair, provide a replacement part or product, or make appropriate adjustment, subject to the terms and conditions set forth in this warranty. The painted finish is warranted for a period of 2 years; furniture accessories and parts are warranted for a period of 1 year.

limited tapware residential warranty

Blu Bathworks® (“Blu”) tapware products are warranted to the original purchaser to be free from defects in all mechanical parts during normal residential use for as long as the original purchaser owns his or her home. Blu will, at its election, repair, provide a replacement part or product, or make appropriate adjustment, subject to the terms and conditions set forth in this warranty. Normal wear and tear on parts is warranted for a period of 1 year. The PVD finish is warranted for a period of 5 years, powder coat finish is warranted for a period of 2 years, polish chrome finish is warranted for a period of 2 years.

limited commercial warranty

Blu Bathworks® (“Blu”) products are warranted to the original purchaser to be free from defects in all material and workmanship during normal usage for a period of one (1) year from the date of purchase. Blu will, at its election, repair, provide a replacement part or product, or make appropriate adjustment, subject to the terms and conditions set forth in this warranty.

terms + conditions

This warranty applies only to Blu Bathworks® ("Blu") products distributed in North America.

This warranty is non-transferable and is for the exclusive benefit of the original purchaser of a Blu product. This warranty may be exercised by the original purchaser of a unit in a new residential development. Blu recommends using a professional plumber for all installation and repair.

This warranty does not apply to products that have been installed in any manner other than as set out in Blu's installation guides, or to products that have been altered in any way.

For further clarity, the above stated warranty does not cover or apply to damage attributable to:

- a. neglect, misuse, abuse, accident or negligence;
- b. normal wear and tear, such as gloss reduction, scratching or fading over time due to use, cleaning practices or water or atmospheric condition, including but not limited to, the use of bleach, alkali, acid cleaners, dry (powder) cleaners or any other abrasive cleaners or the use of metal or nylon scrubbers.
- c. dirt or lime scale, or improper care, cleaning, or maintenance of the Product, or the use of inappropriate cleaners (such as those containing abrasives, ammonia, acids, waxes, bleaches, solvents, alcohol, or any product not recommended for chrome);
- d. damage caused by transportation, or improper storage;
- e. a natural calamity such as fire, earthquake, flood, thunder, electrical storm, etc.;
- f. sediments or foreign matter contained in a water system;
- g. damage or loss resulting from improper installation or from installation of the Product in a harsh and/or hazardous environment, or improper removal, repair or modification of the Product;
- h. electrical surges or lightning strikes or other acts which are not the fault of Blu Bathworks or which the Product is not specified to tolerate;
- i. the use of any Product in a manner inconsistent with the Product instructions / owners manual; and
- j. any failure, or damage to, this Product caused by either chloramines in the treatment of public water supply or cleaners containing chlorine (calcium hypochlorite).

NOTE: The use of high concentrate chlorine or chlorine related products can seriously damage the fittings. This damage can cause leakage and serious property damage.

k. tub and basin drain caps, aerators, cartridges/check valves included in some Tapware and Blu.stone products, due to being an expendable item

l. The supply lines must be flushed out to prevent clogging of the filter screens. Failure to flush the lines will permanently damage the cartridge and void the warranty

This is the only warranty of Blu, which makes no other warranty of any kind. Blu disclaims any liability for special, incidental or consequential damages.

In no event shall the liability of Blu under this warranty exceed the purchase price of the product.

PROCEDURE FOR WARRANTY SERVICE

Refer to blubathworks.com for policy and procedures relating to requests for service under the terms of this warranty.

Original proof of purchase is required. Blu is not responsible for removal or installation costs, or the costs of shipping and handling associated with any service. Repaired or replaced products or parts are warranted only for the period remaining under the initial warranty.

For warranty eligibility, a completed & signed Return Goods Authorization (RGA) form must be emailed to Blu Bathworks® at support@blubathworks.com, which includes all relevant information regarding your claim, including:

- Product /SKU number
- Proof-of-purchase (copy of your original sales receipt, purchase order, or invoice), the date the product was purchased and installation date
- Complete description of the problem with supporting documentation as applicable (such as photographs)

Note: Failure to provide any required information will void the warranty.

Any damages resulting from transportation or missing parts must be reported to Blu within 5 days of receipt by the consignee. Please allow 7 to 14 business days for warranty processing.

Special Order items are not subject to cancellation or return.

inventory

Blu Bathworks' categorizes standard in-stock inventory items versus special order items and provides an estimated guideline for fulfillment of custom blu-stone™ + amanpuri items, as outlined below.

Lead times indicated are approximative from order confirmation date and do not include shipping within North America. Designer Bathtubs require a 50% non-refundable deposit at time of order acceptance.

Note: The maximum Dealer discount on blu-stone™ colored products + custom orders is 50% (.5 multiplier)

blu-stone™ Stock: inventory *Special Order: 16+ week

basins + bathtubs + showerbase

01M	stock	07M/G	special order
01G	special order	09M/G	special order
02M/G	special order	08M/G	special order
03M/G	special order		
04M/G	special order		
06M/G	special order		

designer series bathtubs *Special Order: 16+ week

7000 series	special order
-------------	---------------

Acrylic bathtubs

01M	stock
gloss finish	stock

contact

We pride ourselves in customer service – we’re here to help you and your clients experience the best in design, functionality & service. For your convenience, please use the contact support information listed below.

Phone

Toll free: +1.866.907.0122

Local: +1.604.299.0122

Email

Orders: orders@blubathworks.com

Inquiries: info@blubathworks.com

Technical/After-sales: support@blubathworks.com

Marketing: marketing@blubathworks.com

Online

Website: blubathworks.com

Social Media: [@blubathworks](https://www.instagram.com/blubathworks)

