



blu

BATHWORKS®

blu·stone™

product catalogue

2024

# Blu Bathworks®

Blu is a complete modern bathware solution, certified for use in the North American market.

The full range of collections were created with the same design DNA and work in harmony to provide an entire bathroom solution or as standalone statement pieces.

## blu·stone™ bathtubs

features + benefits	13
color + finish guide	16
alcove + freestanding	17
accessories	24
designer series	27
drains	43

## acrylic bathtubs

features + benefits	35
color + finish guide	38
alcove + freestanding	39
drains	43

## blu·stone™ basins

features + benefits	47
color + finish guide	50
vessel/countertop	51
pedestal	55
vanity top	59
basin accessories	64
countertop + backsplash	67

## blu·stone™ shower bases

features + benefits	73
color + finish guide	76
shower bases	77

warranty + terms	80
inventory	82
contact information	83

where water meets modern™





blu·stone™  
eco-friendly  
stone material

exclusive to Blu Bathworks®

# modern architectural sustainable design

With an inherent passion for water conservation, Blu Bathworks® is committed to developing sustainable products for an ecological future.

This passion motivated us to create our signature eco-friendly blu·stone™ material, which – in addition to its low-energy production process and recyclable nature – provides superior water temperature retention, requiring less water consumption for an optimum bathing experience.



Our newest product selection reflects our continued vision and pursuit of design and product innovation.



Our eco-friendly blu·stone™ collection, is available in a wide range of luxury basins, bathtubs, shower bases, countertops, backsplashes and even a tray for our freestanding tubs.

Sustainability is an expression of our corporate culture, expressed in our attitude, product offering, as well as our production processes. We continue to evolve our working relationships to constantly review and optimize our production practices from an ecology viewpoint.

# codes + compliance

Blu is proud to feature a selection of sustainable and certified products, that meet or exceed the highest standards, including:



CalGreen compliant

AB1953

AB1953 compliant, lead-free tapware



LEED certified products



IAPMO



UPC/cUPC



Massachusetts code



California Energy Commission



UL Listed



CSA certified products



# blu·stone™ bathtubs

freestanding  
alcove



blu·stone™ bathtub azure-1 BT0304N17.01-01M source  
series deck faucet 1201-AS  
blu·stone™ vanity top SA0900.01-01M  
51 vanity + mirror F51V1-0900-K16 + F51M2-0900



34"  
[865]

31"  
[800]



66¼"  
[1685]

Ø2"  
[50]





blu-stone™ bathtub halo-2 BT0408.02-04G  
source series floor tubfiller with handshower 1262-ON



# features + benefits

Luminous and highly tactile, Blu Bathworks offers durable and versatile blu-stone™ bathtubs for the modern and transitional bathroom environment. Available in freestanding and alcove applications with a wide range of size and style for maximum design flexibility and optimum bathing experience.



## Durable

Crafted from 70% quartzite, blu-stone™ is an exceptionally durable material, which looks and feels like natural stone. It is high-pressure injection molded, anti-microbial and non-porous. Low maintenance and repairable, blu-stone™ products are stain + scratch resistant.



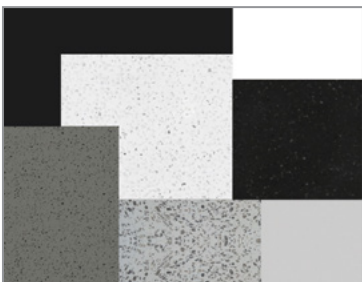
## One-Piece Design

Beautiful one-piece blu-stone™ bathtubs offer a clean and modern design aesthetic. blu-stone™ one-piece tubs are non-porous, stain and impact resistant making them hygienic & durable for daily uses. Also easily repairable, blu-stone™ bathtubs are perfect for any household.



## Design Flexibility

The blu-stone™ bathtub collection provides the flexibility to coordinate materials across the bathroom, with bathtub options to suit every design requirement. Choose from freestanding to alcove bathtubs, condo-proportioned to deep-soaker tubs. blu-stone™ is the ideal material for creating custom design solutions to support project specifications.



## Colors + Finishes

A selection of blu-stone™ bathtubs are available in a range of modern stone-like colors including quartz (white), marble (gray), slate (black) and more. Homogeneous in nature, the color is consistent throughout, resulting in a finish that will last a lifetime.

All blu-stone™ color products in gloss finish are defined as a "live finish". This is due to the gloss finish being several layers of wax that have been applied and buffed onto the products natural matte finish. The high gloss finish will fade as a result of usage and typically limited to the bathing well of the tub where the usage occurs. Wax refinishing can occur at anytime and is detailed in the installation and maintenance guide for blu-stone™ products.



# colors + finishes



blu-stone™ bathtub coco·2 BT0402.02-01M

## Material:

### blu-stone™

Solid Surface Material: 70% quartzite + 30% bio-resin, injection molded

### finishes

Matte: Visually luminous and highly tactile, matte finish is soft and almost warm to the touch and evokes a minimalist architectural quality

Gloss: High gloss finish is available for select blu-stone™ pieces, which adds a modern touch and enhances design coordination

---

## How to order blu-stone™ bathtubs:

Bathtub SKU + blu-stone™ color/finish code

eg. azure·1 freestanding bathtub in Marble Matte (09M) finish = BT0304N17.01-09M

blu·stone™ bathtubs

Please refer to blu·stone™ sample chips for true finish and color.

stocked

white



matte - 01M

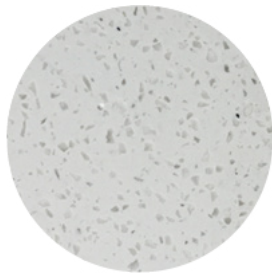
special order\*  
(Max 50% discount)

white



gloss - 01G

quartz



matte - 02M  
gloss - 02G

slate



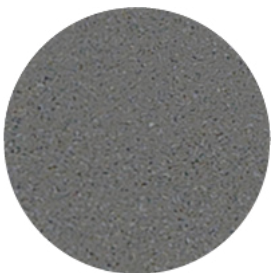
matte - 03M  
gloss - 03G

black - 04



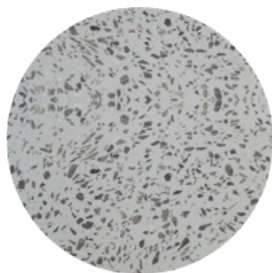
matte - 04M  
gloss - 04G

concrete



matte - 06M  
gloss - 06G

granite



matte - 07M  
gloss - 07G

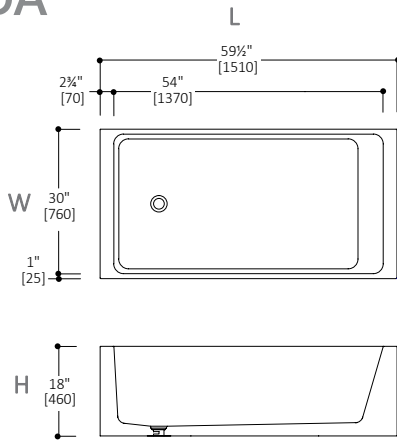
marble



matte - 09M  
gloss - 09G



ADA

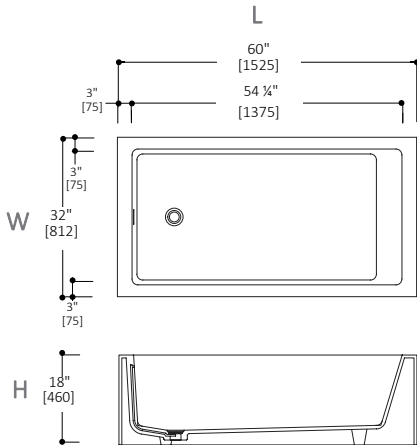


metrix-2

BT0104.01-01M  
BT0104.01-01G\*

- 59½" L x 30" W x 18" H / 1510mm L x 760mm W x 460mm H
- Seamless, one-piece blu-stone™ bathtub
- Capacity: 82G / 310L
- End drain for versatile left/right drain installation
- Includes integral slot overflow & matching blu-stone™ waste cover
- Only available in White Matte or White Gloss finish
- Alcove installation requires separate tile flange, TF.BTSB
- **Limited stock item**

ADA

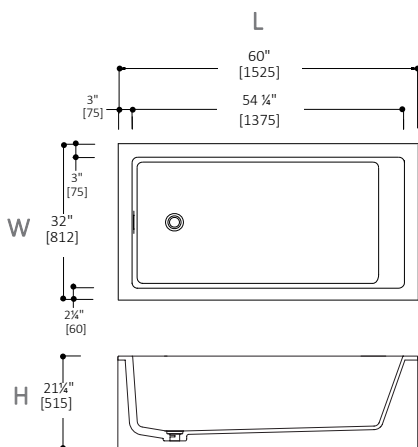


metrix-2

BT0104.02-01M  
BT0104.02-01G\*  
[BT0110]

- 60" L x 32" W x 18" H / 1525mm L x 812mm W x 460mm H
- Alcove, skirted blu-stone™ bathtub, designed for a three-wall recess
- Capacity: 81G / 306L
- Left or right hand drain installation
- Includes integral slot overflow & matching blu-stone™ waste cover
- Available in a range of blu-stone™ colors + finishes
- Alcove installation requires separate tile flange, TF.BTSB

BT0104.02 - 02M / 03M / 04M / 06M / 07M / 09M\*  
BT0104.02 - 02G / 03G / 04G / 06G / 07G / 09G\*



metrix-3

BT0104.03-01M  
[BT0110L/R]

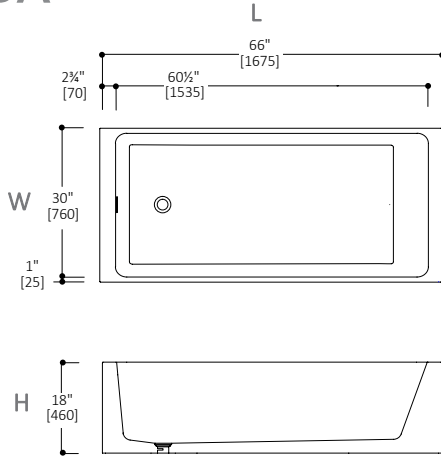
- 60" L x 32" W x 20¼" H / 1525mm L x 812mm W x 515mm H
- Alcove, skirted blu-stone™ bathtub, designed for a three-wall recess
- Capacity: 81G / 306L
- Left OR right hand drain installation. Define drain location during ordering process..
- Includes integral slot overflow & matching blu-stone™ waste cover
- Only available in White Matte or White Gloss finish
- Alcove installation requires separate tile flange, TF.BTSB
- **Limited stock item**

\*Special Order finishes require a 16+ week lead time upon 50% deposit confirmation

\*Special Order Finishes\*



ADA

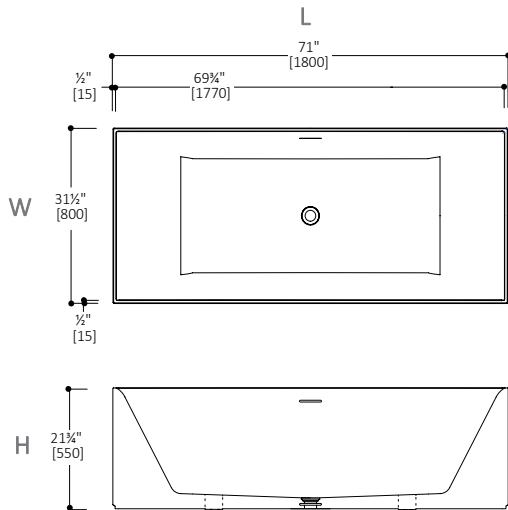


metrix-4

BT0105.01-01M  
BT0105.01-01G\*

- 66" L x 30" W x 18" H / 1675mm L x 760mm W x 460mm H
- Seamless, one-piece blu-stone™ bathtub
- Capacity: 95G / 360L
- End drain for versatile left/right drain installation
- Includes integral slot overflow & matching blu-stone™ waste cover
- Available in a range of blu-stone™ colors + finishes
- Alcove installation requires separate tile flange, TF.BTSB

BT0105.01 - 02M / 03M / 04M / 06M / 07M / 09M\*  
BT0105.01 - 02G / 03G / 04G / 06G / 07G / 09G\*



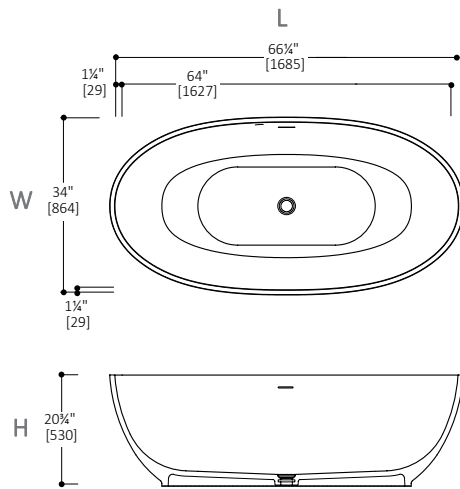
metrix-6

BT0203.01-01M  
BT0203.01-01G\*

- 71" L x 31½" W x 21¼" H / 1800mm L x 800mm W x 550mm H
- Seamless, one-piece blu-stone™ bathtub
- Capacity: 107G / 405L
- Center drain
- Includes integral slot overflow & matching blu-stone™ waste cover
- Available in a range of blu-stone™ colors + finishes
- Alcove installation requires separate tile flange, TF.BTSB

BT0203.01 - 02M / 03M / 04M / 06M / 07M / 09M\*  
BT0203.01 - 02G / 03G / 04G / 06G / 07G / 09G\*





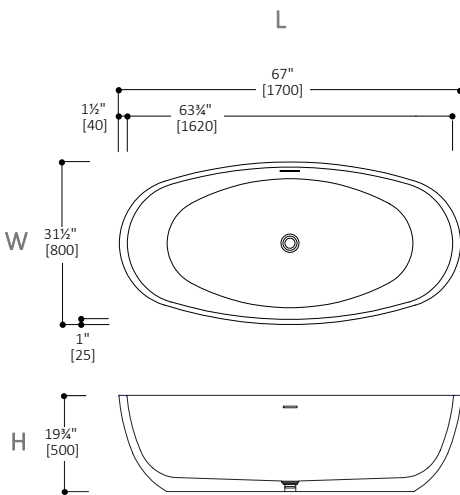
**azure-1**

**BT0304N17.01-01M**  
**BT0304N17.01-01G\***

- 66½" L x 34" W x 20¾" H / 1685mm L x 864mm W x 530mm H
- Seamless, one-piece blu-stone™ bathtub
- Capacity: 84G / 319L
- Center drain
- Includes integral slot overflow & matching blu-stone™ waste cover
- Available in a range of blu-stone™ colors + finishes

BT0304N17.01 - 02M / 03M / 04M / 06M / 07M / 09M\*

BT0304N17.01 - 02G / 03G / 04G / 06G / 07G / 09G\*



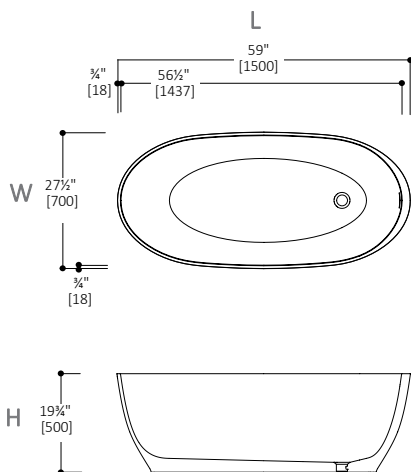
**azure-2**

**BT0305.02-01M**  
**BT0305.02-01G\***

- 67" L x 31½" W x 19¾" H / 1700mm L x 800mm W x 500mm H
- Seamless, one-piece blu-stone™ bathtub
- Capacity: 82G / 310L
- Center drain
- Includes integral slot overflow & matching blu-stone™ waste cover
- Available in a range of blu-stone™ colors + finishes

BT0305.02 - 02M / 03M / 04M / 06M / 07M / 09M\*

BT0305.02 - 02G / 03G / 04G / 06G / 07G / 09G\*



**azure-3**

**BT0305N15.01-01M**  
**BT0305N15.01-01G\***

- 59" L x 27½" W x 19¾" H / 1500mm L x 700mm W x 500mm H
- Seamless, one-piece blu-stone™ bathtub
- Capacity: 65G / 247L
- End drain for versatile left/right drain installation
- Includes integral slot overflow & matching blu-stone™ waste cover
- Available in a range of blu-stone™ colors + finishes

BT0305N15.01 - 02M / 03M / 04M / 06M / 07M / 09M\*

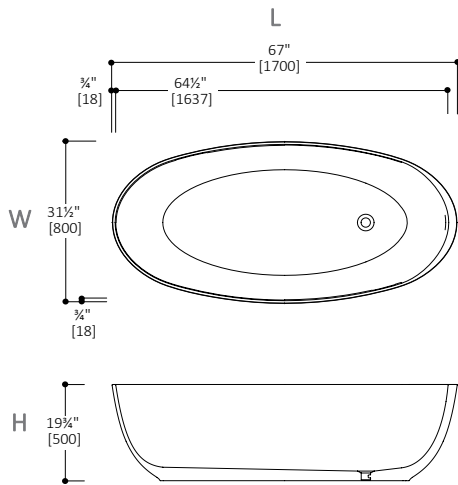
BT0305N15.01 - 02G / 03G / 04G / 06G / 07G / 09G\*

**\*Special Order Finishes\***



\*Special Order finishes require a 16+ week lead time upon 50% deposit confirmation

freestanding



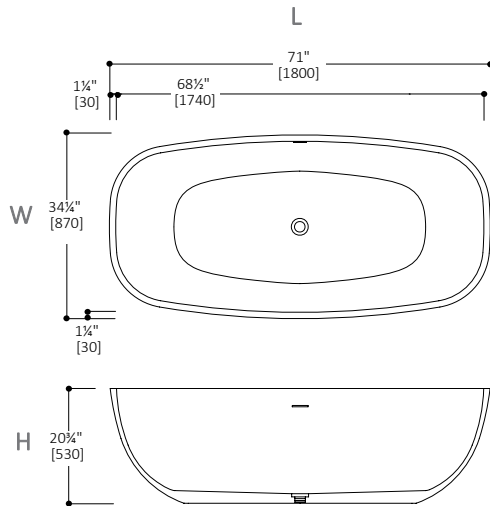
azure-4

BT0305N17.01-01M  
BT0305N17.01-01G\*

- 67" L x 31½" W x 19¾" H / 1700mm L x 864mm W x 500mm H
- Seamless, one-piece blu-stone™ bathtub
- Capacity: 83G / 314L
- End drain for versatile left/right drain installation
- Includes integral slot overflow & matching blu-stone™ waste cover
- Available in a range of blu-stone™ colors + finishes

BT0305N17.01 - 02M / 03M / 04M / 06M / 07M / 09M\*

BT0305N17.01 - 02G / 03G / 04G / 06G / 07G / 09G\*



azure-5

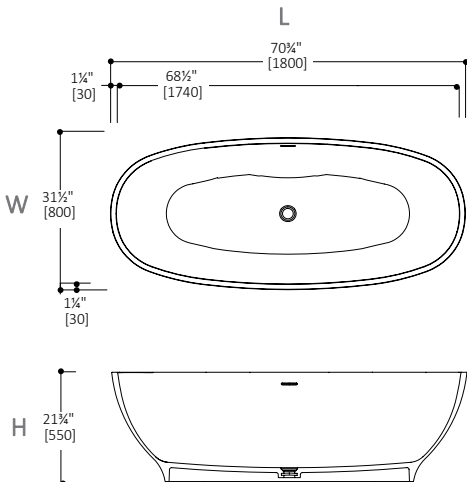
BT0305N18-01M  
BT0305N18-01G\*

[BT0308]

- 71" L x 34¾" W x 20¾" H / 1800mm L x 870mm W x 530mm H
- Seamless, one-piece blu-stone™ bathtub
- Capacity: 100G / 380L
- Center drain
- Includes integral slot overflow & matching blu-stone™ waste cover
- Available in a range of blu-stone™ colors + finishes

BT0305N18 - 02M / 03M / 04M / 06M / 07M / 09M\*

BT0305N18 - 02G / 03G / 04G / 06G / 07G / 09G\*



fini-1

BT0402N18-01M  
BT0402N18-01G\*

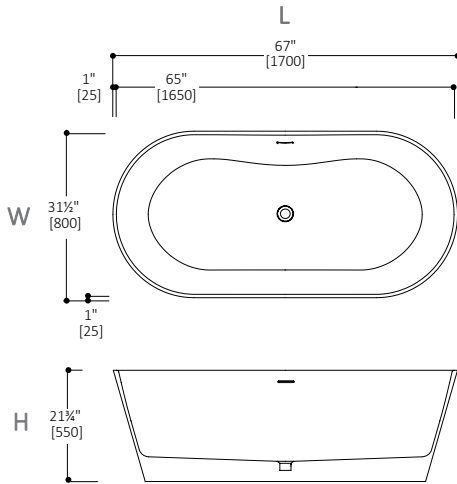
- 70¾" L x 31½" W x 21¾" H / 1800mm L x 800mm W x 550mm H
- Seamless, one-piece blu-stone™ bathtub
- Capacity: 86G / 325L
- Center drain
- Includes integral slot overflow & matching blu-stone™ waste cover
- Available in a range of blu-stone™ colors + finishes

BT0402N18 - 02M / 03M / 04M / 06M / 07M / 09M\*

BT0402N18 - 02G / 03G / 04G / 06G / 07G / 09G\*

\*Special Order finishes require a 16+ week lead time upon 50% deposit confirmation





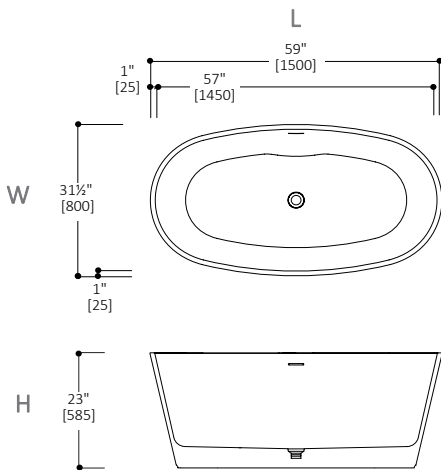
coco-1

**BT0304.01-01M**  
**BT0304.01-01G\***

- 67" L x 31 1/2" W x 21 3/4" H / 1700mm L x 750mm W x 550mm H
- Seamless, one-piece blu-stone™ bathtub
- Capacity: 91G / 345L
- Center drain
- Includes integral slot overflow & matching blu-stone™ waste cover
- Available in a range of blu-stone™ colors + finishes

BT0304.01 - 02M / 03M / 04M / 06M / 07M / 09M\*

BT0304.01 - 02G / 03G / 04G / 06G / 07G / 09G\*



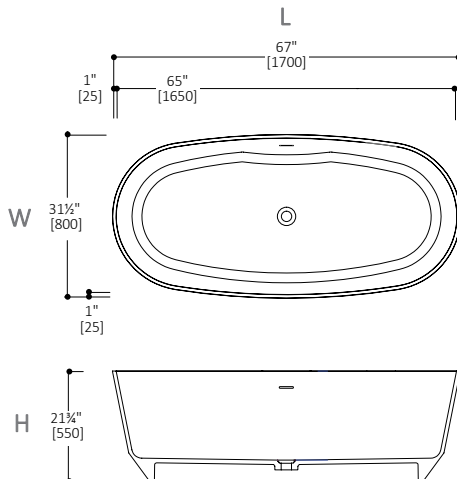
coco-2

**BT0402.02-01M**  
**BT0402.02-01G\***

- 59" L x 31 1/2" W x 23 1/2" H / 1500mm L x 800mm W x 585mm H
- Seamless, one-piece blu-stone™ bathtub
- Capacity: 74G / 280L
- Center drain
- Includes integral slot overflow & matching blu-stone™ waste cover
- Available in a range of blu-stone™ colors + finishes

BT0402.02 - 02M / 03M / 04M / 06M / 07M / 09M\*

BT0402.02 - 02G / 03G / 04G / 06G / 07G / 09G\*



coco-3

**BT0207N17-01M**  
**BT0207N17-01G\***

[BT0310]

- 67" L x 31 1/2" W x 21 1/2" H / 1700mm L x 800mm W x 550mm H
- Seamless, one-piece blu-stone™ bathtub
- Capacity: 82G / 310L
- Center drain
- Includes integral slot overflow & matching blu-stone™ waste cover
- Available in a range of blu-stone™ colors + finishes

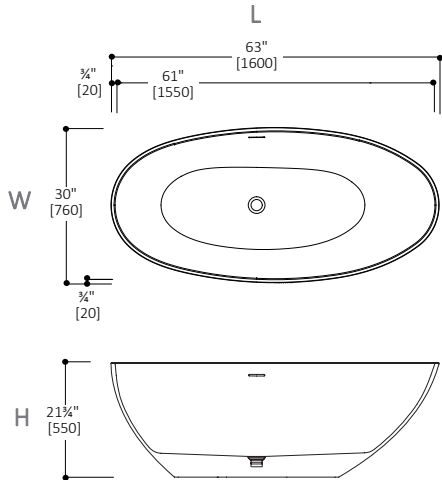
BT0207N17 - 02M / 03M / 04M / 06M / 07M / 09M\*

BT0207N17 - 02G / 03G / 04G / 06G / 07G / 09G\*

\*Special Order Finishes\*



freestanding

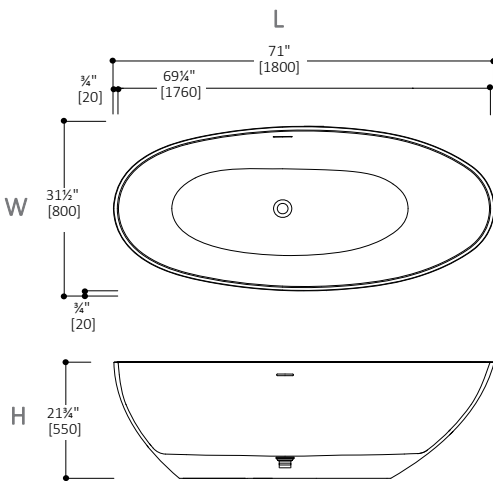


halo-1

**BT0406.01-01M**  
**BT0406.01-01G\***

- 63" L x 30" W x 21¼" H / 1600mm L x 760mm W x 550mm H
- Seamless, one-piece blu-stone™ bathtub
- Capacity 70G / 265L
- Center drain
- Includes integral slot overflow & matching blu-stone™ waste cover
- Available in a range of blu-stone™ colors + finishes

BT0406.01 - 02M / 03M / 04M / 06M / 07M / 09M\*  
 BT0406.01 - 02G / 03G / 04G / 06G / 07G / 09G\*

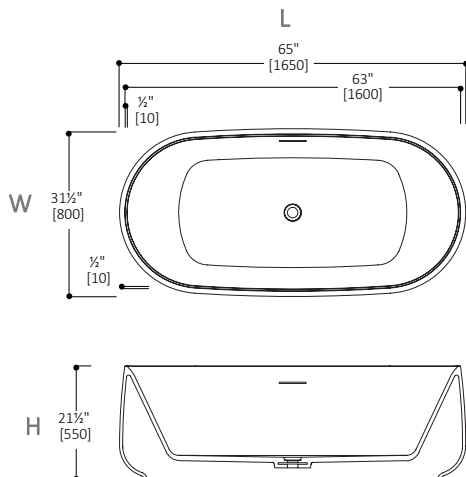


halo-2

**BT0408.02-01M**  
**BT0408.02-01G\***

- 71" L x 31½" W x 21¼" H / 1800mm L x 800mm W x 550mm H
- Seamless, one-piece blu-stone™ bathtub
- Capacity 87G / 330L
- Center drain
- Includes integral slot overflow & matching blu-stone™ waste cover
- Available in a range of blu-stone™ colors + finishes

BT0408.02 - 02M / 03M / 04M / 06M / 07M / 09M\*  
 BT0408.02 - 02G / 03G / 04G / 06G / 07G / 09G\*



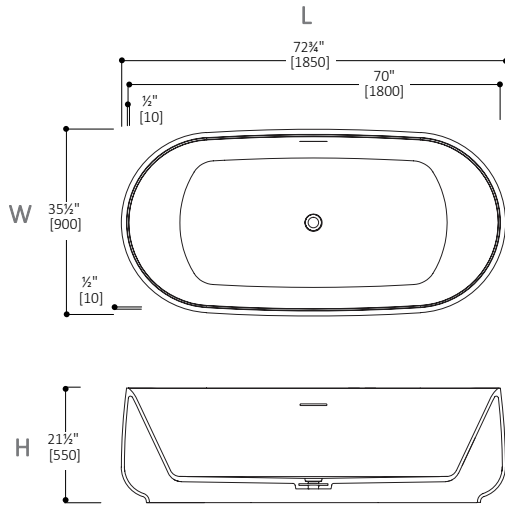
sereno-1

**BT0207N16-01M**  
**BT0207N16-01G\***  
 [BT0307N16]

- 65" L x 31½" W x 21½" H / 1650mm L x 800mm W x 550mm H
- Seamless, one-piece blu-stone™ bathtub
- Capacity: 69G / 262L
- Center drain
- Includes integral slot overflow & matching blu-stone™ waste cover
- Available in a range of blu-stone™ colors + finishes

BT0207N16 - 02M / 03M / 04M / 06M / 07M / 09M\*  
 BT0207N16 - 02G / 03G / 04G / 06G / 07G / 09G\*



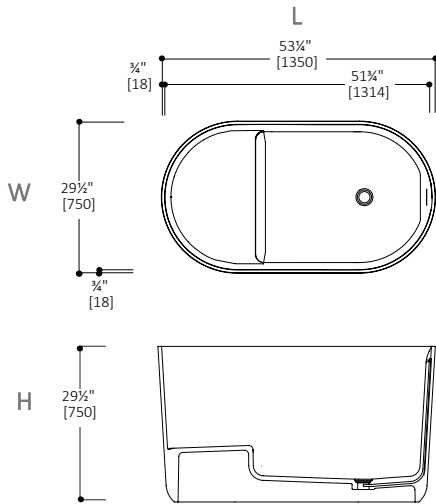


**sereno-2**

**BT0207N18-01M**  
**BT0207N18-01G\***  
 [BT0307N18]

- 72¾" L x 35½" W x 21½" H / 1850mm L x 900mm W x 550mm H
- Seamless, one-piece blu-stone™ bathtub
- Capacity: 78G / 296L
- Center drain
- Includes integral slot overflow & matching blu-stone™ waste cover
- Available in a range of blu-stone™ colors + finishes

BT0207N18 - 02M / 03M / 04M / 06M / 07M / 09M\*  
 BT0207N18 - 02G / 03G / 04G / 06G / 07G / 09G\*

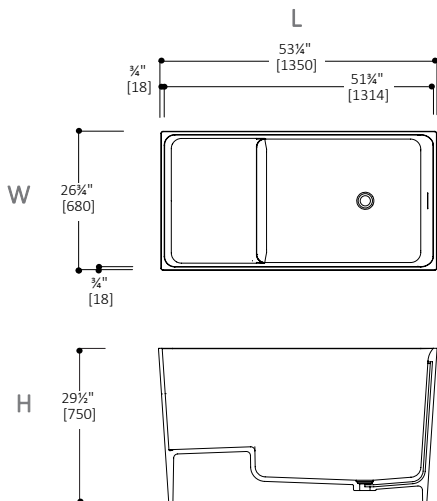


**ofuro-1**

**BT0304N11-01M**  
**BT0304N11-01G\***  
 [BT0311]

- 53¾" L x 29½" W x 29½" H / 1350mm L x 750mm W x 750mm H
- Seamless, one-piece blu-stone™ bathtub
- Capacity: 84G / 320L
- End drain for versatile left/right drain installation
- Includes integral slot overflow & matching blu-stone™ waste cover
- Available in a range of blu-stone™ colors + finishes

BT0304N11 - 02M / 03M / 04M / 06M / 07M / 09M\*  
 BT0304N11 - 02G / 03G / 04G / 06G / 07G / 09G\*



**ofuro-2**

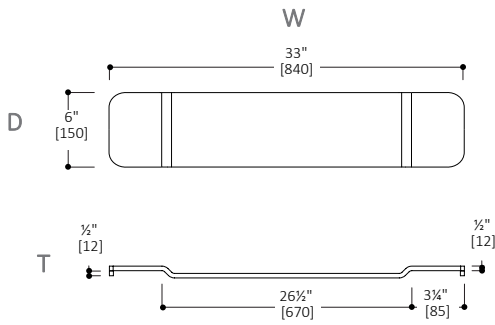
**BT0304N12-01M**  
**BT0304N12-01G\***  
 [BT0312]

- 53¾" L x 26¾" W x 29½" H / 1350mm L x 680mm W x 750mm H
- Seamless, one-piece blu-stone™ bathtub
- Capacity: 84G / 320L
- End drain for versatile left/right drain installation
- Includes integral slot overflow & matching blu-stone™ waste cover
- Available in a range of blu-stone™ colors + finishes
- Alcove installation requires separate tile flange, TF.BTSB (refer to pg 56 A)

BT0304N12- 02M / 03M / 04M / 06M / 07M / 09M\*  
 BT0304N12 - 02G / 03G / 04G / 06G / 07G / 09G\*

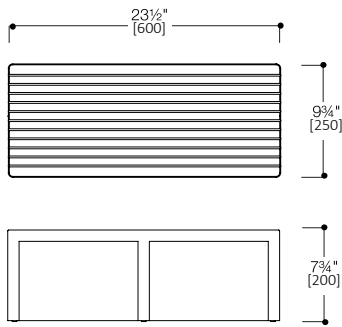
\*Special Order finishes require a 16+ week lead time upon 50% deposit confirmation





**BTDeck840-01M**  
**BTDeck840-01G\***

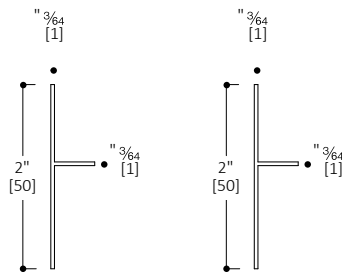
- 33" W x 6" D x ½" T / 840mm W x 150mm D x 12mm T
- Seamless blu-stone™ bathtub deck tray
- Only available in White Matte or White Gloss finish
- Coordinates with a range of blu-stone™ bathtubs



**BTStep1184-01M**  
**BTStep1184-01G\***

- 23½" W x 9¾" D x 7¾" H / 600mm L x 250mm D x 200mm H
- blu-stone™ step for deep soaking blu-stone™ bathtub
- Available in a range of blu-stone™ colors + finishes

BTStep1184 - 02M / 03M / 04M / 06M / 07M / 09M\*  
BTStep1184 - 02G / 03G / 04G / 06G / 07G / 09G\*

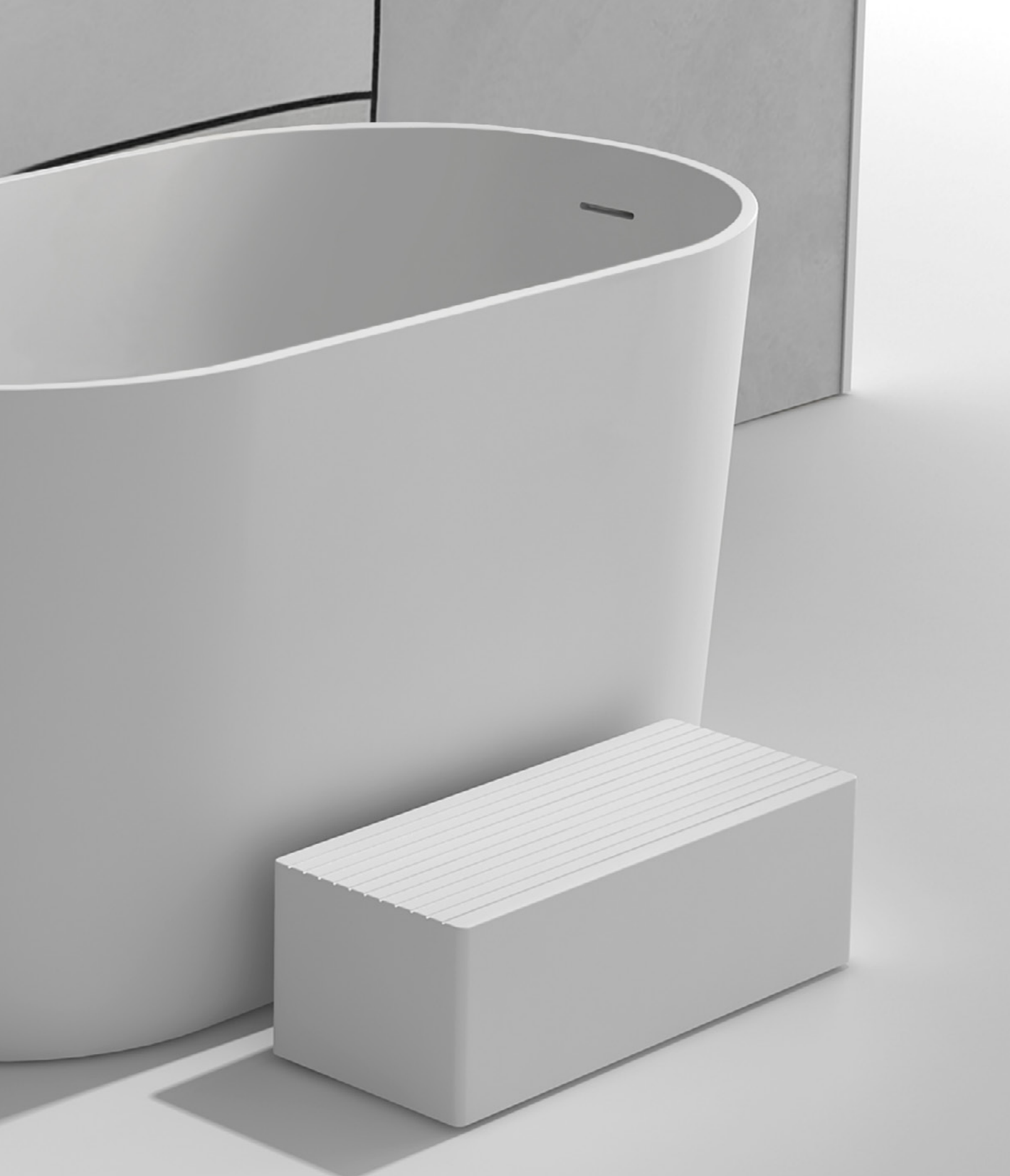


**TF.BTSB**

- Pair of 72" high density Polyethylene tile flanges
- Suitable for alcove bathtub and shower base installation







blu-stone™ bathtub step BTStep-1184-01M

**blu-stone™ bathtub** Designer series BT7050-01M  
**source series deck mixer handle** 1252-AS  
**deck tubfiller spout** BC203-AS + QPT-0002



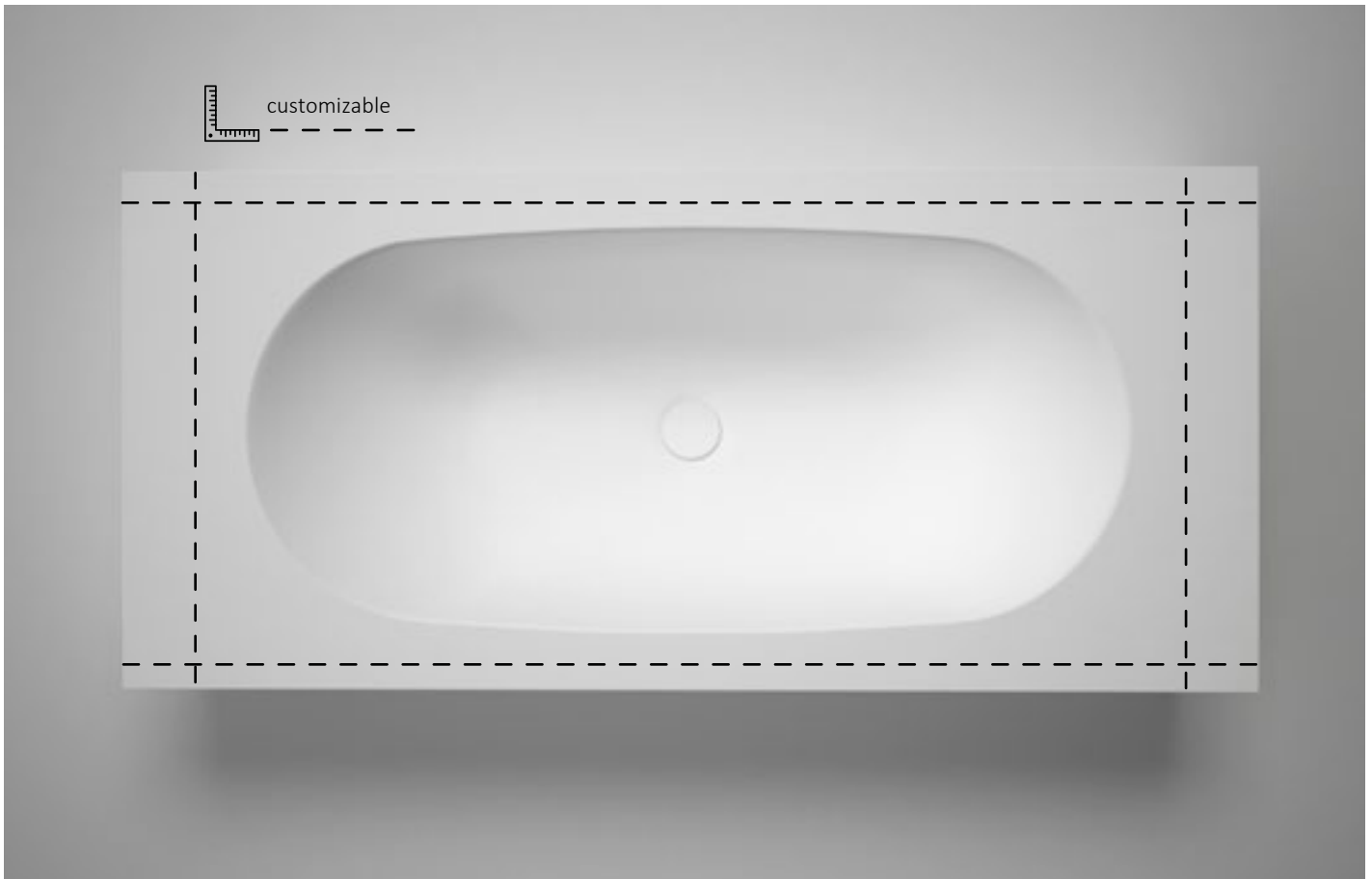
# designer series

made to measure bathtubs



blu·stone™ bathtub designer series BT700

# made to measure



Envisioned to support custom design solutions to meet any project specifications, Blu Bathworks® signature eco-friendly blu-stone™ collection has expanded to offer a range of made to measure, customizable bathtubs. Simply select your desired design and model, then customize dimensions to meet your specific design requirements, and allow lead-time from the approved order confirmation date. Additionally, further customization requirements like special drilling holes are available on request. The possibilities are endless.

## Material:

blu-stone™  
Solid Surface Material: 70%  
quartzite + 30% bio-resin,  
injection molded

## Leadtime:

Any selection in the Designer  
series require 16-20 weeks  
after drawing sign-off

## Finish

Standard: white matte  
(O1M)  
Upon request: any special  
color or whitte gloss.

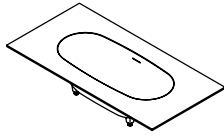
## Base Unit:

standard bathing well  
66" L x 28" W x 21½" H  
85G / 15" water depth  
Intergral slot overflow  
matching blu-stone™ drain  
cover adjustable feet for  
leveling

# how to order

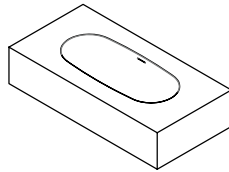
## step 1 - select bathtub design

The first step in creating your custom blu-stone™ bathtub is to select the desired bathtub design that will best suit your needs.



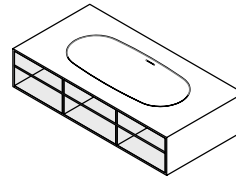
DECK

base unit  
deck extension



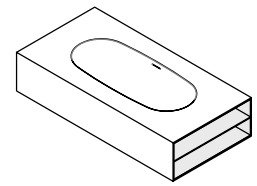
APRON

base unit front/  
back apron side  
apron(s)



FRONT SHELVING

base unit  
front shelving  
back apron  
side apron(s)

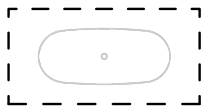


SIDE SHELVING

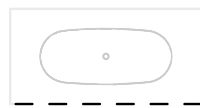
base unit  
side shelving front/  
back apron  
side apron

## step 2 - choose made to measure model

Once you have decided on a bathtub design, you can then choose from various specific made to measure models that can be further customized with overflow location, length, width and even special requirements like faucet drilling holes.



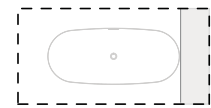
BT7100  
all sides



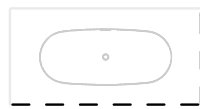
BT7110  
front



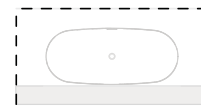
BT7131  
2 sides



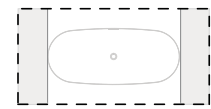
BT7142  
front, back + 2 sides



BT7120  
front + 1 side



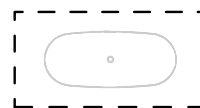
BT7141  
back + 2 sides



BT7143  
front, back + 2 sides



BT7130  
front + 2 sides



BT7140  
front, back + 2 sides

## step 3 - complete order template

Each bathtub model, shown above, has a custom order template included within the specification sheet. Upon completing and submitting your custom bathtub order template, a Blu Bathworks customer service representative will contact you with confirmation & a technical drawing will be created for final review and approval. Orders require a 50% non-refundable deposit at time of acceptance.

# sample order template

## BT7100-01M ORDER TEMPLATE designer series blu-stone™ bathtub

Please indicate overflow location by marking circle in drawing below.

<p style="text-align: center;">BACK</p> <p style="text-align: center;">overflow location</p> <p style="text-align: center;">FRONT</p> <p style="text-align: center;">overflow location</p> <p style="text-align: center;">70" [1778±]</p> <p style="text-align: center;">32" [813±]</p> <p style="text-align: center;">Tolerances Rate: L +/- 10mm, W +/- 5mm</p>	<p style="text-align: center;">HEIGHT: 21½" (520mm) H</p> <div style="text-align: center;"> <p>BATHING WELL: 66" (1675mm) L x 28" (710mm) W</p> </div> <p style="text-align: center;">(MIN)</p> <p style="text-align: center;">WIDTH: 32" (813mm) LENGTH: 70" (1778mm)</p> <p style="text-align: center;">(MAX)</p> <p style="text-align: center;">TOTAL WIDTH: 48" (1219mm) TOTAL LENGTH: 96" (2438mm)</p>
---	---

Please ensure overflow location is marked above and all dimensions provided below are correct. When completed please sign form and submit by email to [orders@blubathworks.com](mailto:orders@blubathworks.com). Once submitted, a customer service representative will reach out to you with order confirmation and a technical drawing will be created for final review and approval. All orders require a 50% non-refundable deposit at time of order confirmation.

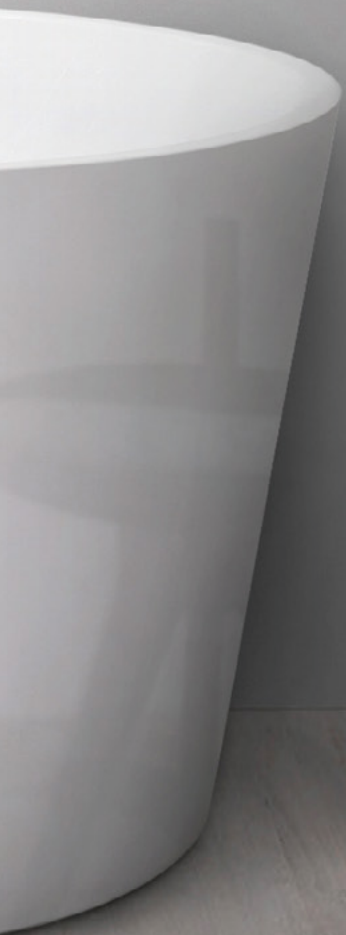
<p>(A) Total Length</p> <table style="width: 100%; border-collapse: collapse;"> <tr> <td style="width: 50%; border: 1px solid black; height: 30px;"></td> <td style="width: 50%; border: 1px solid black; height: 30px;"></td> </tr> <tr> <td style="text-align: center; font-size: small;">INCHES</td> <td style="text-align: center; font-size: small;">MILLIMETERS</td> </tr> </table>			INCHES	MILLIMETERS	<p>(B) Left Deck Length</p> <table style="width: 100%; border-collapse: collapse;"> <tr> <td style="width: 50%; border: 1px solid black; height: 30px;"></td> <td style="width: 50%; border: 1px solid black; height: 30px;"></td> </tr> <tr> <td style="text-align: center; font-size: small;">INCHES</td> <td style="text-align: center; font-size: small;">MILLIMETERS</td> </tr> </table>			INCHES	MILLIMETERS	<p>(C) Right Deck Length</p> <table style="width: 100%; border-collapse: collapse;"> <tr> <td style="width: 50%; border: 1px solid black; height: 30px;"></td> <td style="width: 50%; border: 1px solid black; height: 30px;"></td> </tr> <tr> <td style="text-align: center; font-size: small;">INCHES</td> <td style="text-align: center; font-size: small;">MILLIMETERS</td> </tr> </table>			INCHES	MILLIMETERS
INCHES	MILLIMETERS													
INCHES	MILLIMETERS													
INCHES	MILLIMETERS													
<p>(D) Total Width</p> <table style="width: 100%; border-collapse: collapse;"> <tr> <td style="width: 50%; border: 1px solid black; height: 30px;"></td> <td style="width: 50%; border: 1px solid black; height: 30px;"></td> </tr> <tr> <td style="text-align: center; font-size: small;">INCHES</td> <td style="text-align: center; font-size: small;">MILLIMETERS</td> </tr> </table>			INCHES	MILLIMETERS	<p>(E) Front Deck Width</p> <table style="width: 100%; border-collapse: collapse;"> <tr> <td style="width: 50%; border: 1px solid black; height: 30px;"></td> <td style="width: 50%; border: 1px solid black; height: 30px;"></td> </tr> <tr> <td style="text-align: center; font-size: small;">INCHES</td> <td style="text-align: center; font-size: small;">MILLIMETERS</td> </tr> </table>			INCHES	MILLIMETERS	<p>(F) Back Deck Width</p> <table style="width: 100%; border-collapse: collapse;"> <tr> <td style="width: 50%; border: 1px solid black; height: 30px;"></td> <td style="width: 50%; border: 1px solid black; height: 30px;"></td> </tr> <tr> <td style="text-align: center; font-size: small;">INCHES</td> <td style="text-align: center; font-size: small;">MILLIMETERS</td> </tr> </table>			INCHES	MILLIMETERS
INCHES	MILLIMETERS													
INCHES	MILLIMETERS													
INCHES	MILLIMETERS													

NAME:	APPROVAL SIGNATURE:
DATE:	



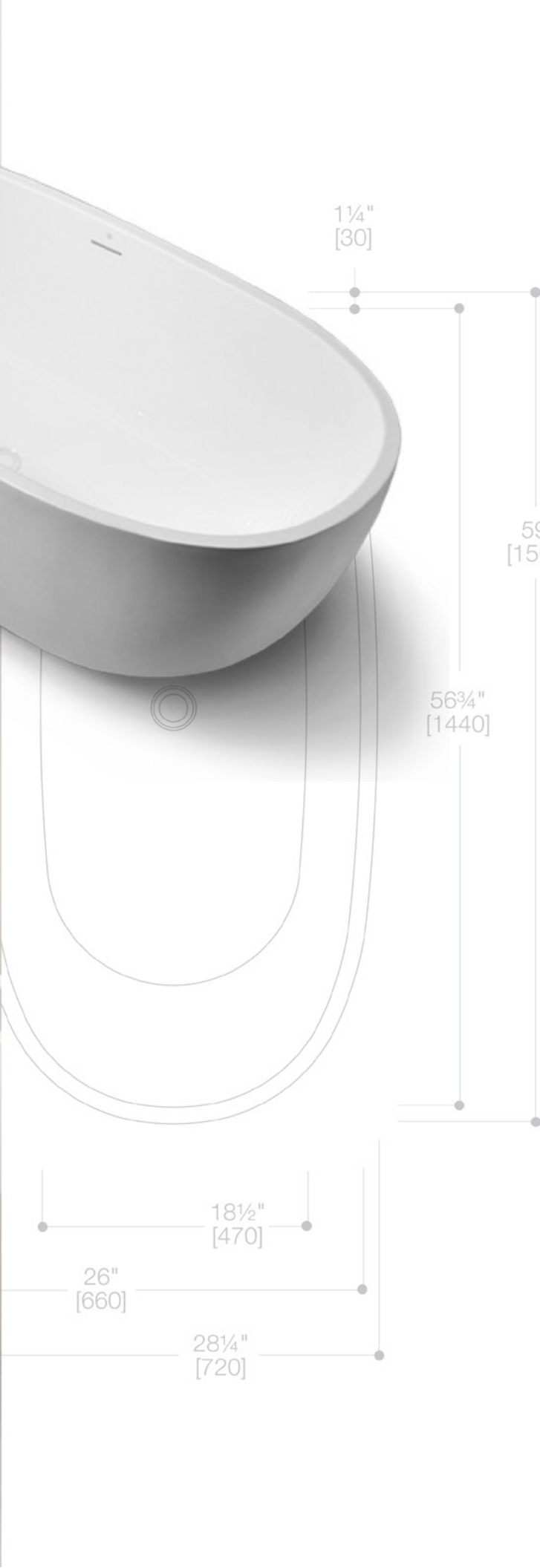
# Acrylic Bathtubs

freestanding  
alcove



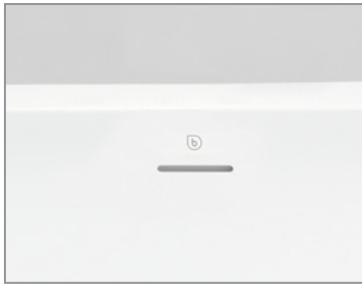






# features + benefits

Modern sophistication meets effortless functionality with Blu Bathworks selection of white matte or high gloss European-style acrylic bathtubs. Compact by design, these one-piece acrylic bathtubs require no assembling, making them manageable and easy to install in any bathroom environment.



## Durable + Integral Slot Overflow

Constructed with high-quality Lucite acrylic ensures durability and ease of repair. With a range of timeless designs for product longevity, Blu's acrylic bathtub minimizes waste and energy consumption.

Both blu-stone™ and acrylic bathtubs share the same integral slot overflow design, ensuring a seamless design and look in every bathroom.



## Anti-Rust Steel Frame + Adjustable Legs

Hidden underneath Blu Bathworks acrylic bathtubs are anti-rust steel frames to give the product extra reinforcement to ensure strength and longevity.

The addition of four adjustable legs will ensure the weight of the water is evenly distributed and the bathtub is installed perfectly leveled with the ground.



## Light Weight

Acrylic bathtubs by Blu are light in weight making them perfect for apartments or weight restricted areas. The lighter weight also makes moving and installing an acrylic bathtub an ease.



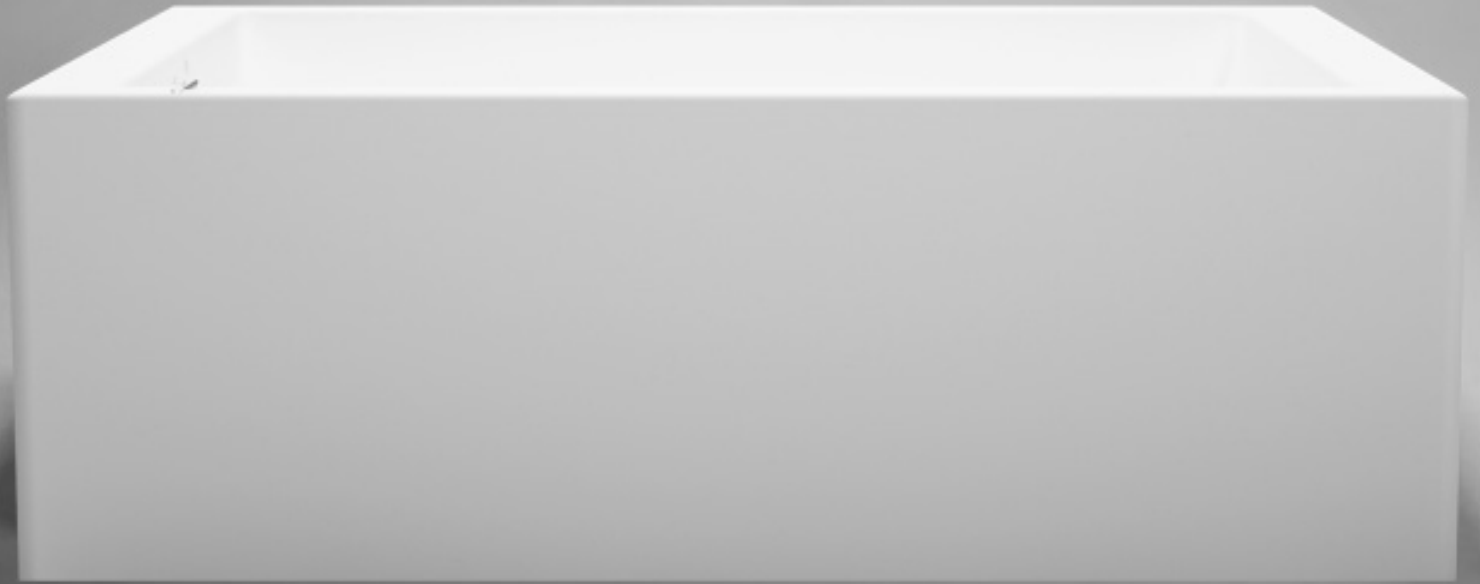
## Matte Finish

Blu Bathworks acrylic bathtubs in a modern white matte finish ensures a seamless design aesthetic throughout the home, eliminating any sacrifices for style and comfort at affordable price points.

acrylic bathtub box-2 BT8005  
source series floor tubfiller 1262-AS



# colors + finishes



acrylic bathtub box-1 BT8001-01M

## Material:

### Acrylic

Acrylic bathtubs are made of vacuum-formed sheets of acrylic, reinforced for added durability

### finishes

Gloss: European high-gloss evokes a clean and contemporary quality

Matte: adding a modern touch and enhances design coordination

---

## How to order matte Acrylic bathtubs:

Acrylic bathtub SKU + color & finish

eg. acrylic bathtub in White Matte (01M) finish = BT8004B16-01M

acrylic bathtubs

Please refer to blu·stone™ sample chips for true finish and color.

stocked

white

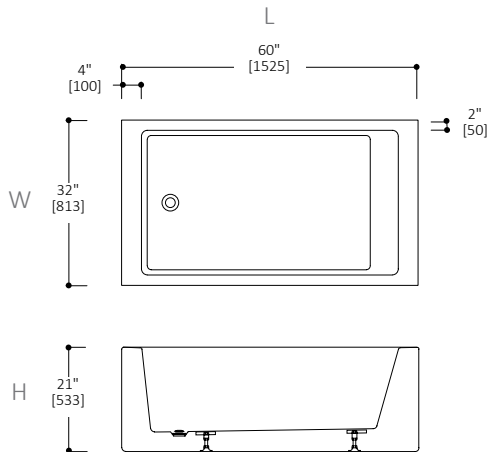


gloss

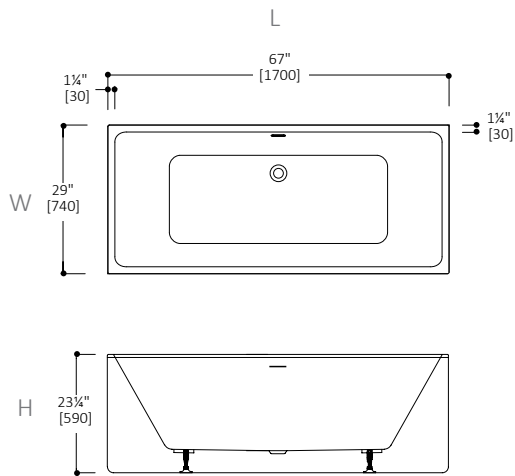
white



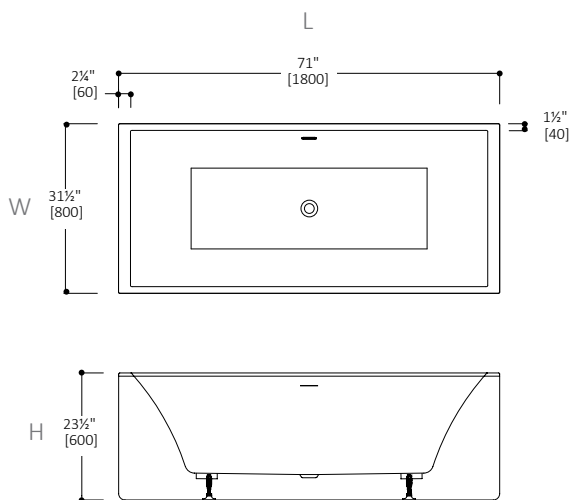
matte - 01M

**box-1****BT8001****BT8001-01M**

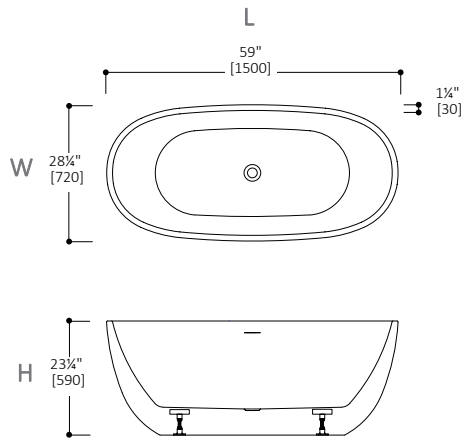
- 60" L x 32" W x 21" H / 1580mm L x 740mm W x 570mm H
- Seamless, one-piece acrylic bathtub with integral slot overflow
- Capacity 68G / 258L
- End drain for versatile left/right drain installation
- Includes matching white drain + waste cover
- Only available in white acrylic gloss finish
- Alcove installation requires separate tile flange, TF.BTSB

**box-2****BT8005****BT8005-01M**

- 67" L x 29" W x 23 3/4" H / 1700mm L x 740mm W x 590mm H
- Seamless, one-piece acrylic bathtub with thin rim & integral slot overflow
- Capacity 80G / 304L
- Off center drain
- Includes matching white drain + waste cover
- Only available in white acrylic gloss finish
- Alcove installation requires separate tile flange, TF.BTSB

**box-3****BT8007****BT8007-01M**

- 71" L x 31 1/2" W x 23 1/2" H / 1800mm L x 800mm W x 600mm H
- Seamless, one-piece acrylic bathtub with integral slot overflow
- Capacity 80G / 303L
- Center drain
- Includes matching white drain + waste cover
- Only available in white acrylic gloss finish
- Alcove installation requires separate tile flange, TF.BTSB

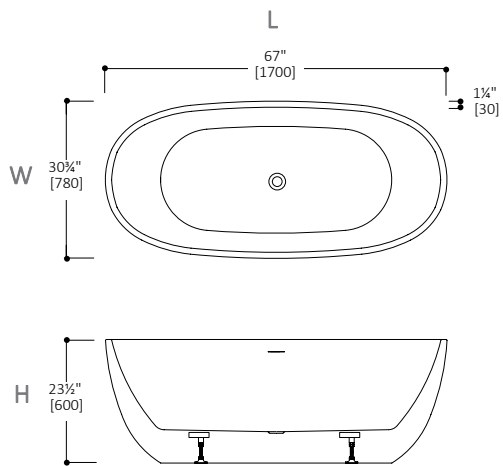


**siena-1**

**BT8006B15  
BT8006B15-01M**

- 59" L x 28 3/4" W x 23 3/4" H / 1500mm L x 720mm W x 590mm H
- Seamless, one-piece acrylic bathtub with thin rim & integral slot overflow
- Capacity 63G / 240L
- Center drain
- Includes matching white drain + waste cover
- Available in white acrylic gloss or matte finish

\*\*Multiplier discount restricted to 0,50 in the case showroom does not carry Siena design in display

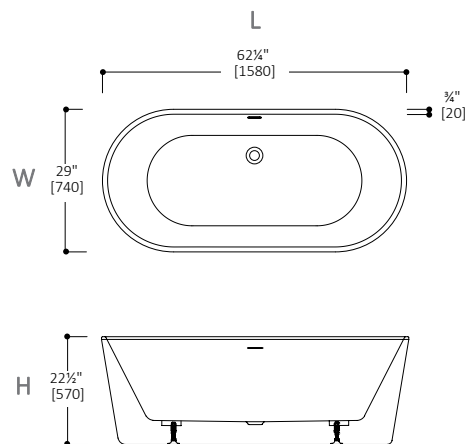


**siena-2**

**BT8006B17  
BT8006B17-01M**

- 67" L x 30 3/4" W x 23 1/2" H / 1700mm L x 780mm W x 600mm H
- Seamless, one-piece acrylic bathtub with thin rim & integral slot overflow
- Capacity 79G / 300L
- Center drain
- Includes matching white drain + waste cover
- Available in white acrylic gloss or matte finish

\*\*Multiplier discount restricted to 0,50 in the case showroom does not carry Siena design in display

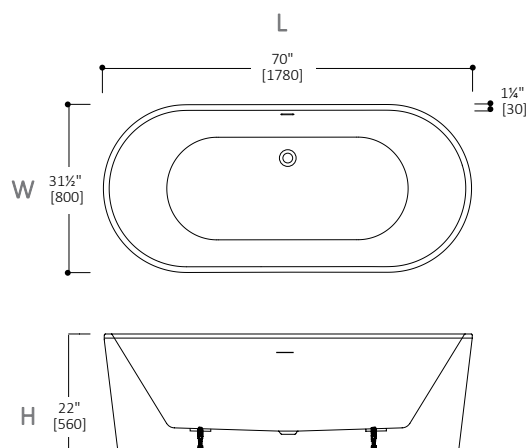


**pisa-3**

**BT8004B16  
BT8004B16-01M**

- 62 1/4" L x 29" W x 22 1/2" H / 1580mm L x 740mm W x 500mm H
- Seamless, one-piece acrylic bathtub with thin rim & integral slot overflow
- Capacity 66G / 250L
- Off center drain
- Includes matching white drain + waste cover
- Available in white acrylic gloss or matte finish

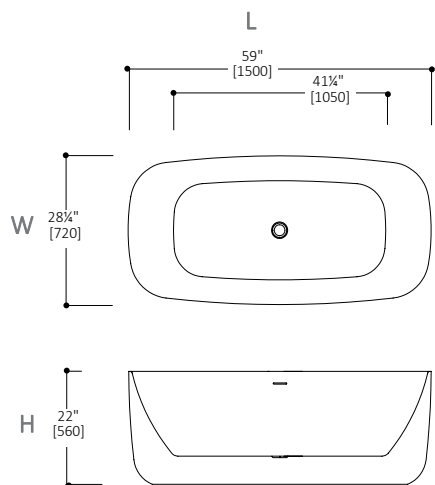




**pisa-4**

**BT8004B18**  
**BT8004B18-01M**

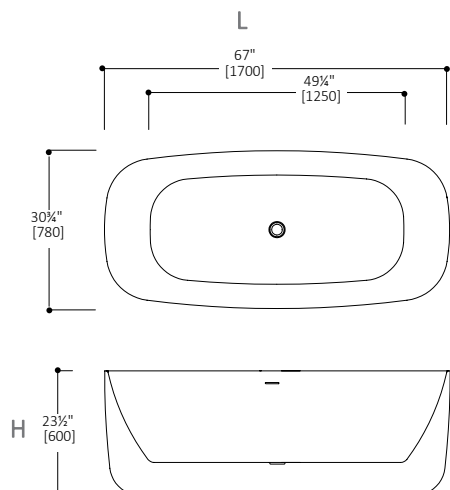
- 70" L x 31½" W x 22" H / 1780mm L x 800mm W x 560mm H
- Seamless, one-piece acrylic bathtub with thin rim & integral slot overflow
- Capacity 82G / 310L
- Off center drain
- Includes matching white drain + waste cover
- Available in white acrylic gloss or matte finish



**messina-1**

**BT8008B15**  
**BT8008B15-01M**

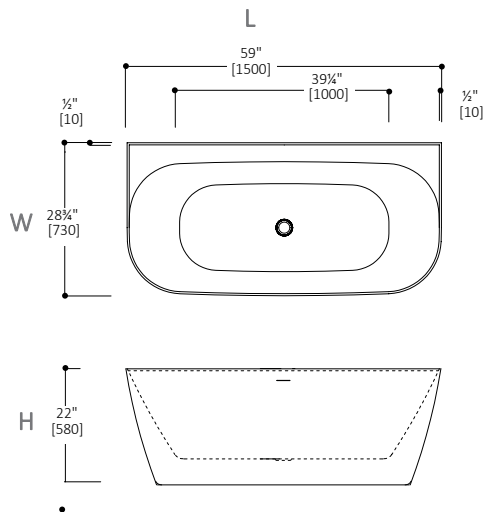
- 59" L x 28¾" W x 22" H / 1500mm L x 720mm W x 560mm H
- Seamless, one-piece acrylic bathtub with thin rim & integral slot overflow
- Capacity 60G / 230L
- Center drain
- Includes matching white drain + waste cover
- Available in white acrylic gloss or matte finish



**messina-2**

**BT8008B17**  
**BT8008B17-01M**

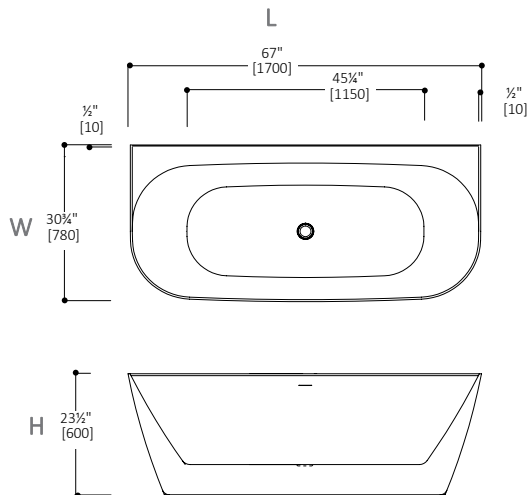
- 67" L x 30¾" W x 23½" H / 1700mm L x 780mm W x 600mm H
- Seamless, one-piece acrylic bathtub with thin rim & integral slot overflow
- Capacity 74G / 280L
- Center drain
- Includes matching white drain + waste cover
- Available in white acrylic gloss or matte finish



lucca·1

BT8009B15  
BT8009B15-01M

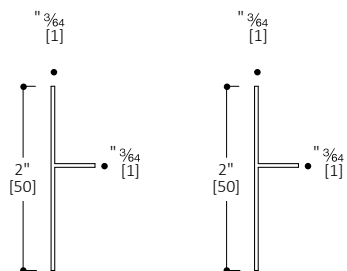
- 59" L x 28 3/4" W x 22" H / 1500mm L x 730mm W x 560mm H
- Seamless, one-piece acrylic bathtub with thin rim & integral slot overflow
- Capacity 53G / 200L
- Center drain
- Includes matching white drain + waste cover
- Available in white acrylic gloss or matte finish



lucca·1

BT8009B17  
BT8009B17-01M

- 67" L x 30 3/4" W x 23 1/2" H / 1700mm L x 780mm W x 600mm H
- Seamless, one-piece acrylic bathtub with thin rim & integral slot overflow
- Capacity 60G / 230L
- Center drain
- Includes matching white drain + waste cover
- Available in white acrylic gloss or matte finish



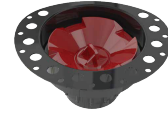
TF.BTSB

- Pair of 72" high density Polyethylene tile flanges
- Suitable for alcove bathtub and shower base installation

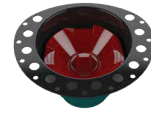
## drains

**BTWaste.RN**

- Freestanding tub rough-in, can be used for blu-stone™ & acrylic bathtubs (install before tile installation)
- 18 Gauge Epoxy coated Metal Deck Flange
- Designed to be installed in an 8"/10" joist space
- Can be installed with Waterproofing Membrane
- Brass tailpiece
- Built-in snap-off test cap - allows for water/air/smoke testing (rated to 30 PSI)
- Material: Metal, ABS

**BTWaste.RN.CI**

- Freestanding tub rough-in, can be used for blu-stone™ & acrylic bathtubs (install before tile installation)
- 18 Gauge Epoxy coated Metal Deck Flange
- Designed to be installed in an 8"/10" joist space
- Brass tailpiece
- Built-in snap-off test cap - allows for water/air/smoke testing (rated to 30 PSI)
- Material: ABS + Cast Iron body

**BTWaste-01**

- blu•stone™ Pop-Up Bathtub Waste w/of + chrome cap
- INCLUDED IN ALL BLU.STONE BATHTUBS.

**BTWaste-02**

- Acrylic pop-up bathtub waste- Polish chrome finish and a cap matching tub finish.
- INCLUDED IN ALL ACRYLIC BATHTUBS.

**BTCap**

- Blu•Stone™ Pop-Up Bathtub Drain Flat Cover
- Available in all color and finishes
- INCLUDED IN ALL BLU.STONE BATHTUBS.





# blu·stone™ basins

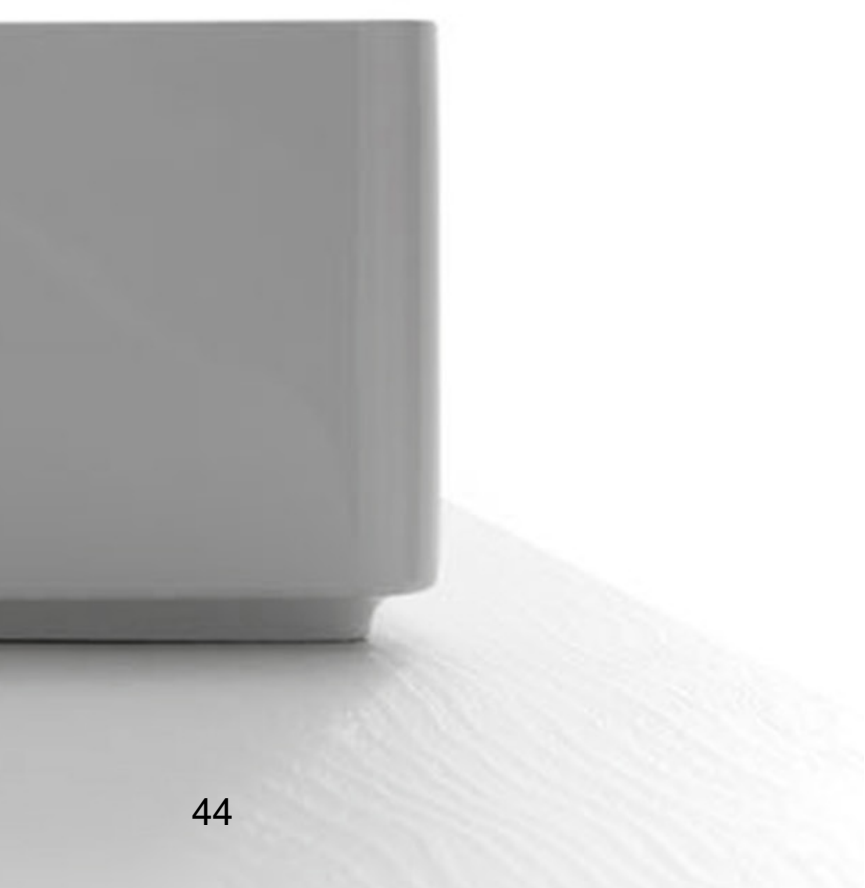
vessel

pedestal

vanity top

countertop

backsplash



blu·stone™ basin metrix SA0305N37.01-01G  
source series wall mixer handle 1343.00-AS  
wall spout BC018-AS



blu-stone™ vanity top basin SA1400.01-01M  
source series deck faucets 1201T-AS  
45° UP vanity F45V2-1400.1-01M + FV2D-1400.1-03



# features + benefits

The blu-stone™ basin collection continues to grow, building on the success of signature pieces such as the coco freestanding pedestal. This carefully curated collection includes a range of basin models for vessel, pedestal, and vanity top applications – all embodying the brand’s minimalist aesthetic and seamless design.



## blu-stone™

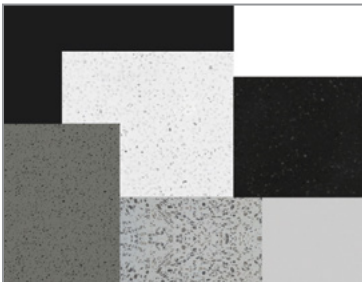
Basins are created from our signature blu-stone™ material that is high pressure injection molded from 70% quartzite. This dynamic material is durable and eco-friendly. Crafted in Italy, blu-stone™ requires less energy to produce and is recyclable and repairable in nature.



## Durable, One-Piece Design

blu-stone™ basins are non-porous, stain and impact resistant making them hygienic and durable for daily uses. Easy to remove stains and can be readily repairable, blu-stone™ basins are perfect for any household.

Beautiful one-piece design offers a cleaner and more modern aesthetic. Also, there are no seams or cracks, making it easy to clean.



## Colors + Finishes

A selection of blu-stone™ basins are available in a range of modern stone-like colors including quartz (white), marble (gray), slate (black) and more. Homogeneous in nature, the color is consistent throughout, resulting in a finish that will last a lifetime.



## Design Flexibility

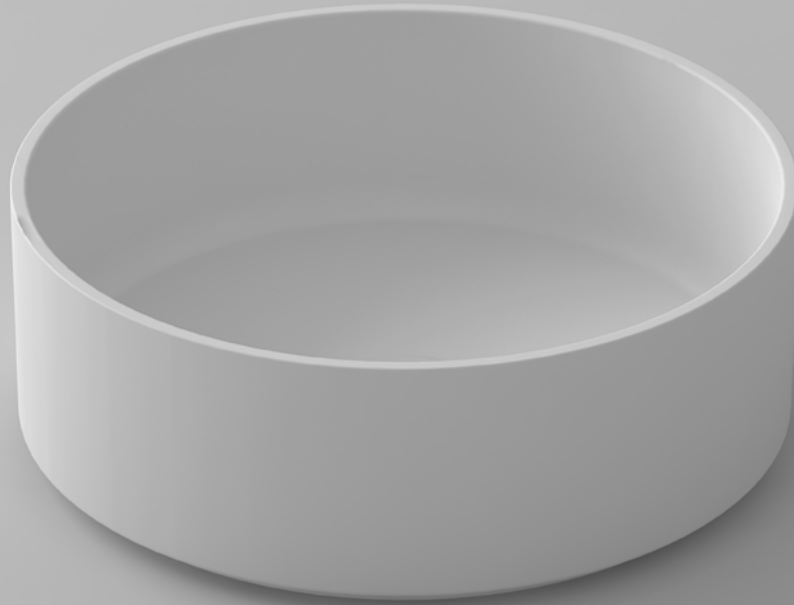
Besides being easily molded, blu-stone™ integrated vanity tops and countertops can be cut accordingly to fit projects on-site. Similar to wood’s tangibility, it can be sawed, drilled, milled, and ground with hard tipped tools.





blu-stone™ vessel basin metrix SA0305N37.01-01M  
source series wall mixer handle 1343.00-AS  
wall spout BC017-AS

# colors + finishes



blu-stone™ vessel basin coco SA0107N37.01-01M

## Material:

### blu-stone™

Solid Surface Material: 70% quartzite + 30% bio-resin, injection molded

### finishes

Matte: Visually luminous and highly tactile, matte finish is soft and almost warm to the touch and evokes a minimalist architectural quality

Gloss: High gloss finish is available for select blu-stone™ pieces, which adds a modern touch and enhances design coordination

---

## How to order blu-stone™ basins:

Basin SKU + blu-stone™ color/finish code

eg. coco vessel basin in Quartz Gloss (02G) finish = SA0107N10-02G

blu·stone™ basins

Please refer to blu·stone™ sample chips for true finish and color.

stocked

white



matte - 01M

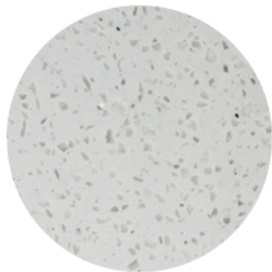
special order\*  
Max 50% discount

white



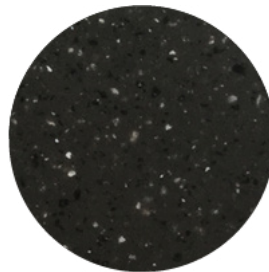
gloss - 01G

quartz



matte - 02M  
gloss - 02G

slate



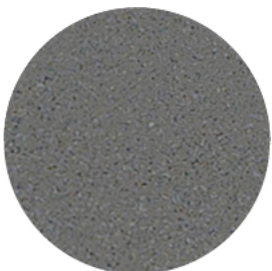
matte - 03M  
gloss - 03G

black - 04



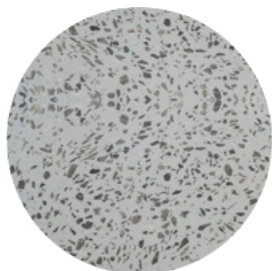
**matte - 04M**  
gloss - 04G

concrete



matte - 06M  
gloss - 06G

granite

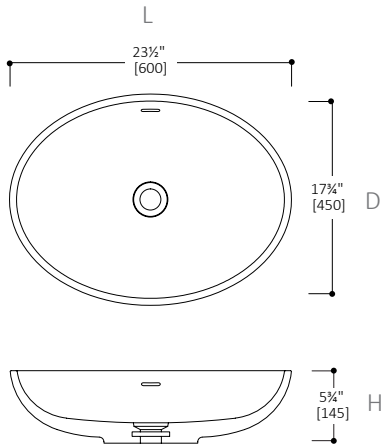


matte - 07M  
gloss - 07G

marble



matte - 09M  
gloss - 09G

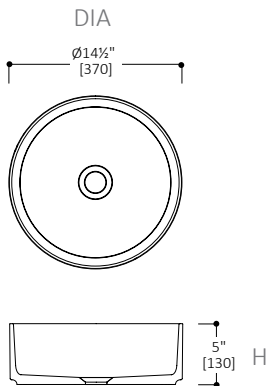
**halo**

**SA0102.01-01M**  
**SA0102.01-01G\***

- 23½" L x 17¼" D x 5¼" H / 600mm L x 450mm D x 145mm H
- Oval blu-stone™ countertop vessel basin with slot overflow
- Includes matching blu-stone™ waste cover
- Available in a range of blu-stone™ colors + finishes
- Recommend QTW-0121 push button waste; designed for use with blu-stone™ waste cover or SC015 universal push button waste

SA0102.01 - 02M / 03M / 04M / 06M / 07M / 09M\*

SA0102.01 - 02G / 03G / 04G / 06G / 07G / 09G\*

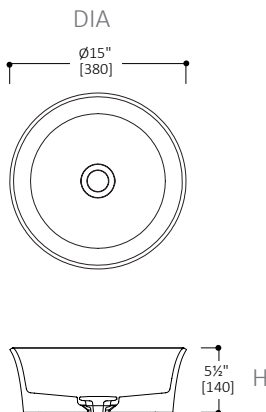
**coco**

**SA0107N37.01-01M**  
**SA0107N37.01-01G\***

- 14½" DIA x 5" H / 370mm DIA x 130mm H
- Round blu-stone™ countertop vessel basin without overflow
- Includes matching blu-stone™ waste cover
- Available in a range of blu-stone™ colors + finishes
- Recommend QTW-0120 push button waste; designed for use with blu-stone™ waste cover or SC015 universal push button waste

SA0107N37.01 - 02M / 03M / 04M / 06M / 07M / 09M\*

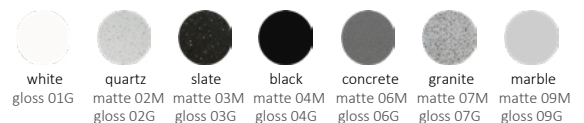
SA0107N37.01 - 02G / 03G / 04G / 06G / 07G / 09G\*

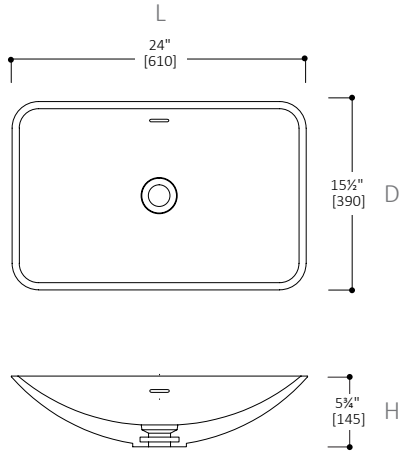
**luna**

**SA0107N38-01M**

- 15" DIA x 5½" H / 380mm DIA x 140mm H
- Round blu-stone™ countertop vessel basin without overflow
- Includes matching blu-stone™ waste cover
- Only available in White Matte finish
- Recommend QTW-0120 push button waste; designed for use with blu-stone™ waste cover or SC015 universal push button waste
- Limited stock item

\*Special Order Finishes\*



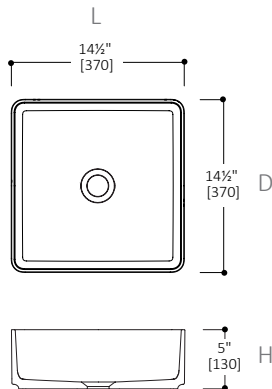


**metrix**

**SA0204.01-01M  
SA0204.01-01G\***

- 24" L x 15 1/2" D x 5 3/4" H / 610mm L x 390mm D x 145mm H
- Rectangular blu-stone™ countertop vessel basin with slot overflow
- Includes matching blu-stone™ waste cover
- Available in a range of blu-stone™ colors + finishes
- Recommend QTW-0121 push button waste; designed for use with blu-stone™ waste cover or SC015 universal push button waste

SA0204.01 - 02M / 03M / 04M / 06M / 07M / 09M\*  
SA0204.01 - 02G / 03G / 04G / 06G / 07G / 09G\*

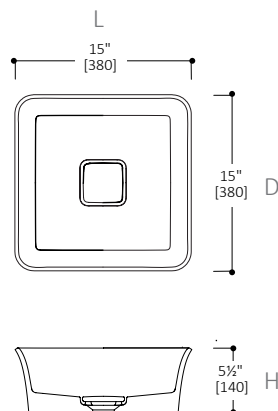


**metrix**

**SA0209N37.01-01M  
SA0209N37.01-01G\***

- 14 1/2" L x 14 1/2" D x 5" H / 370mm L x 370mm D x 130mm H)
- Square blu-stone™ countertop vessel basin without overflow
- Includes matching blu-stone™ waste cover
- Available in a range of blu-stone™ colors + finishes
- Recommend QTW-0120 push button waste; designed for use with blu-stone™ waste cover or SC015 universal push button waste

SA0209N37.01 - 02M / 03M / 04M / 06M / 07M / 09M\*  
SA0209N37.01 - 02G / 03G / 04G / 06G / 07G / 09G\*

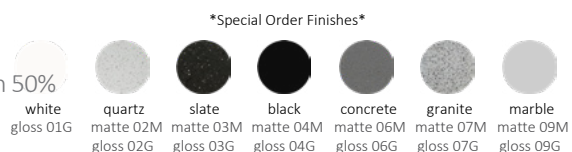


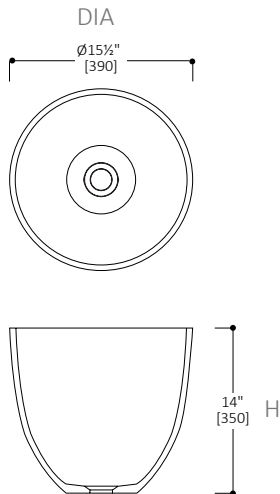
**luna**

**SA0209N38-01M**

- 15" L x 15" D x 5 1/2" H / 380mm L x 380mm D x 140mm H
- Square blu-stone™ countertop vessel basin without overflow
- Includes matching blu-stone™ waste cover
- Only available in White Matte finish
- Recommend QTW-0120 push button waste; designed for use with blu-stone™ waste cover or SC015 universal push button waste
- Limited stock item

52 \*Special Order finishes require a 16+ week lead time upon 50% deposit confirmation



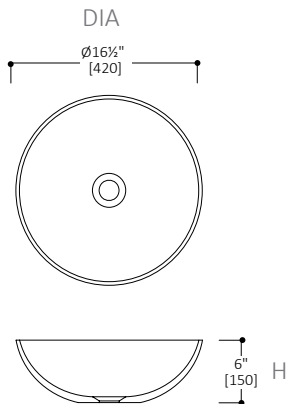
**coco****SA0107N10-01M**  
**SA0107N10-01G\***

[SA0210]

- 15½" DIA x 14" H / 390mm DIA x 350mm H
- Round blu-stone™ countertop vessel basin without overflow
- Includes matching blu-stone™ waste cover
- Available in a range of blu-stone™ colors + finishes
- Recommend QTW-0120 push button waste; designed for use with blu-stone™ waste cover or SC015 universal push button waste

SA0107N10 - 02M / 03M / 04M / 06M / 07M / 09M\*

SA0107N10 - 02G / 03G / 04G / 06G / 07G / 09G\*

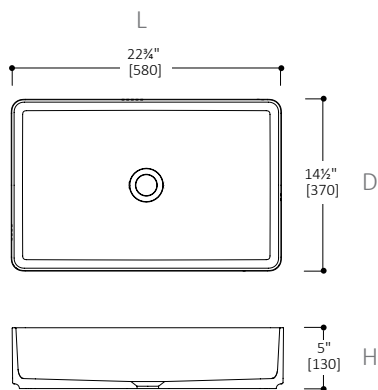
**coco****SA0107N11-01M**  
**SA0107N11-01G\***

[SA0211]

- 16½" DIA x 6" H / 420mm DIA x 150mm H
- Round blu-stone™ countertop vessel basin without overflow
- Includes matching blu-stone™ waste cover
- Available in a range of blu-stone™ colors + finishes
- Recommend QTW-0120 push button waste; designed for use with blu-stone™ waste cover or SC015 universal push button waste

SA0107N11- 02M / 03M / 04M / 06M / 07M / 09M\*

SA0107N11- 02G / 03G / 04G / 06G / 07G / 09G\*

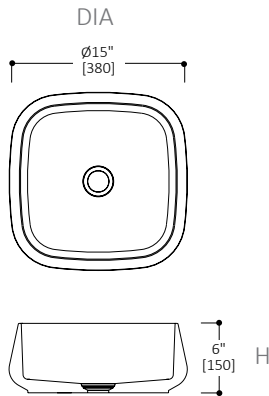
**metrix****SA0305N37.01-01M**  
**SA0305N37.01-01G\***

- 22¾" L x 14½" D x 5" H / 580mm L x 370mm D x 130mm H
- Rectangular blu-stone™ countertop vessel basin without overflow
- Includes matching blu-stone™ waste cover
- Available in a range of blu-stone™ colors + finishes
- Recommend QTW-0120 push button waste; designed for use with blu-stone™ waste cover or SC015 universal push button waste

SA0305N37 - 02M / 03M / 04M / 06M / 07M / 09M\*

SA0305N37 - 02G / 03G / 04G / 06G / 07G / 09G\*

**\*Special Order Finishes\***

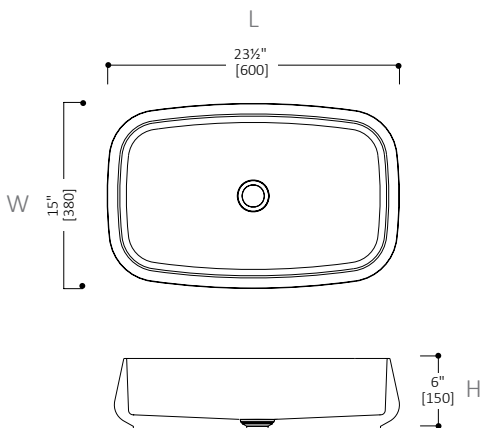


sereno

SA0208.01-01M  
SA0208.01-01G\*  
[SA0307]

- 15" DIA x 6" H / 380mm DIA x 150mm H
- round blu·stone™ countertop vessel basin without overflow
- Includes matching blu·stone™ waste cover
- Available in a range of blu·stone™ colors + finishes
- Recommend QTW-0120 push button waste; designed for use with blu·stone™ waste cover or SC015 universal push button waste

SA0208.01- 02M / 03M / 04M / 06M / 07M / 09M\*  
SA0208.01- 02G / 03G / 04G / 06G / 07G / 09G\*



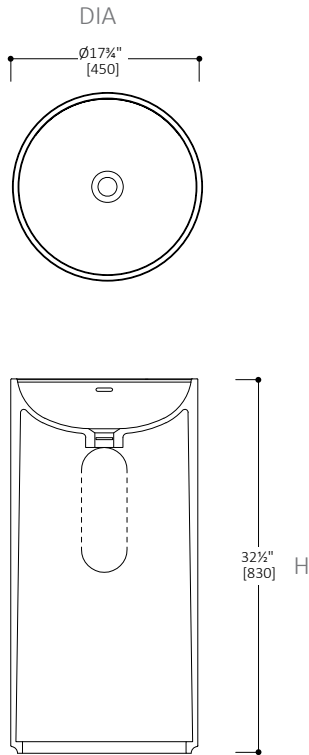
sereno

SA0208N38-01M  
SA0208N38-01G\*  
[SA0307N38]

- 23½" L x 15" W x 6" H / 600mm L x 380 W x 150mm H
- oval blu·stone™ countertop vessel basin without overflow
- Includes matching blu·stone™ waste cover
- Available in a range of blu·stone™ colors + finishes
- Recommend QTW-0120 push button waste; designed for use with blu·stone™ waste cover or SC015 universal push button waste

SA0208N38 - 02M / 03M / 04M / 06M / 07M / 09M\*  
SA0208N38 - 02G / 03G / 04G / 06G / 07G / 09G\*





coco

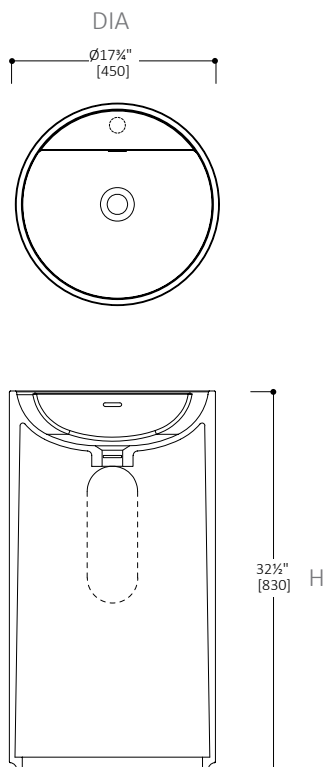
SA0510.01-01M  
SA0510.01-01G\*

- 17¾" DIA x 32½" H / 450mm DIA x 830mm H
- Round blu-stone™ freestanding pedestal basin with slot overflow
- Includes matching blu-stone™ waste cover
- Available in a range of blu-stone™ colors + finishes
- Recommend QTW-0121 push button waste; designed for use with blu-stone™ waste cover or SC015 universal push button waste

SA0510.01 - 02M / 03M / 04M / 06M / 07M / 09M\*

SA0510.01 - 02G / 03G / 04G / 06G / 07G / 09G\*

\* dashed line is cut out for drain connection



coco

SA0511.01-01M  
SA0511.01-01G\*

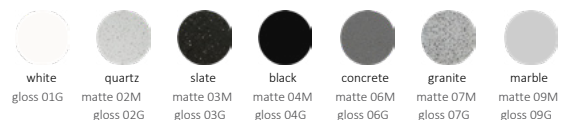
- 17¾" DIA x 32½" H / 450mm DIA x 830mm H
- Round blu-stone™ freestanding, single-hole pedestal basin with overflow
- Includes matching blu-stone™ waste cover
- Knockout pre-drilled for deck-mount faucet
- Available in a range of blu-stone™ colors + finishes
- Recommend QTW-0121 push button waste; designed for use with blu-stone™ waste cover or SC015 universal push button waste

SA0511.01 - 02M / 03M / 04M / 06M / 07M / 09M\*

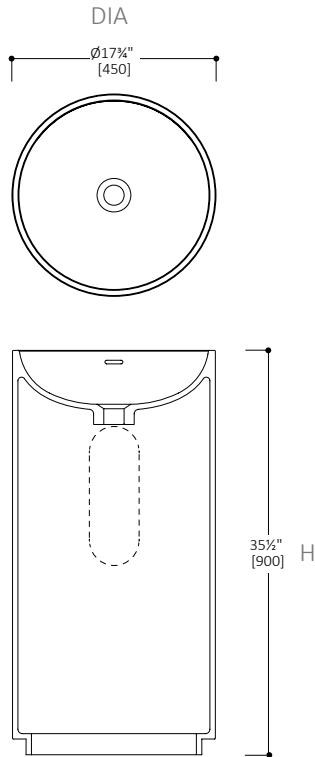
SA0511.01 - 02G / 03G / 04G / 06G / 07G / 09G\*

\* dashed line is cut out for drain connection

\*Special Order Finishes\*

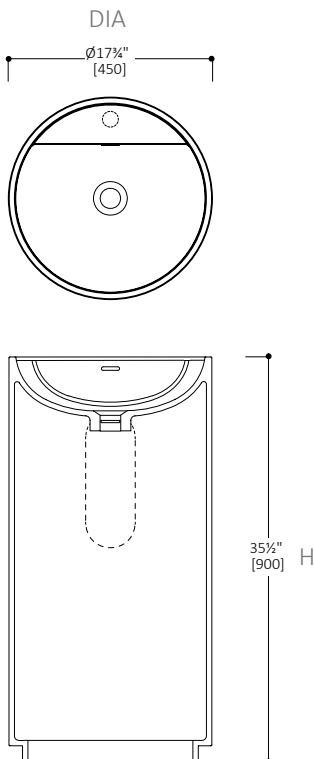




**coco****SA0510-01M**

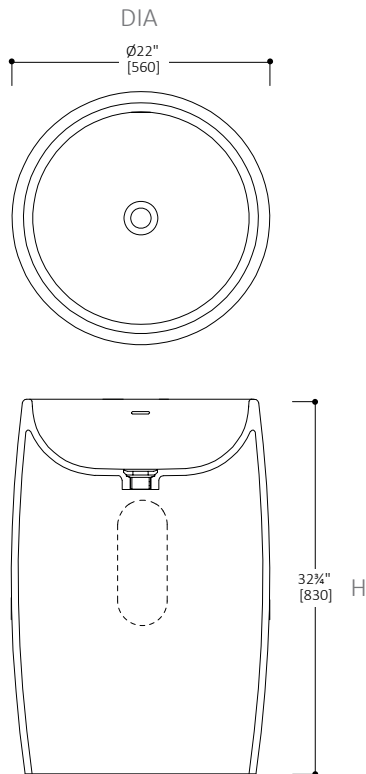
- 17¾" DIA x 35½" H / 450mm DIA x 900mm H
- Round blu-stone™ freestanding pedestal basin with slot overflow
- Includes matching blu-stone™ waste cover
- Only available in White Matte finish
- Recommend QTW-0121 push button waste; designed for use with blu-stone™ waste cover or SC015 universal push button waste
- Limited stock item

\* dashed line is cut out for drain connection

**coco****SA0511-01M**

- 17¾" DIA x 35½" H / 450mm DIA x 900mm H
- Round blu-stone™ freestanding, single-hole pedestal basin with overflow
- Includes matching blu-stone™ waste cover
- Knockout pre-drilled for deck-mount faucet
- Only available in White Matte finish
- Recommend QTW-0121 push button waste; designed for use with blu-stone™ waste cover or SC015 universal push button waste
- Limited stock item

\* dashed line is cut out for drain connection

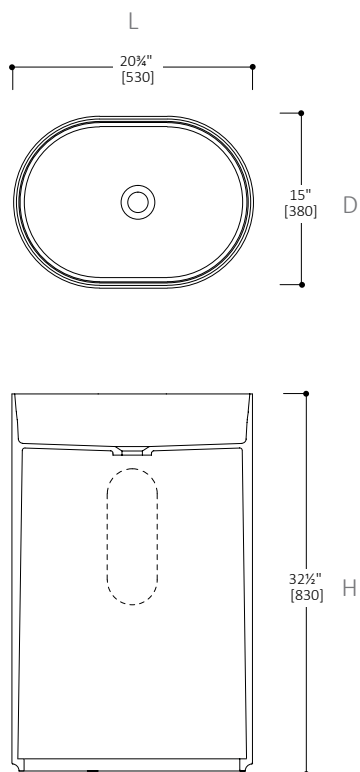
**halo****SA0507.01-01M**  
**SA0507.01-01G\***

- 22" DIA x 32¾" H / 560mm DIA x 830mm H
- Round blu-stone™ freestanding pedestal basin with slot overflow
- Includes matching blu-stone™ waste cover
- Available in a range of blu-stone™ colors + finishes
- Recommend QTW-0121 push button waste; designed for use with blu-stone™ waste cover or SC015 universal push button waste

SA0507.01 - 02M / 03M / 04M / 06M / 07M / 09M\*

SA0507.01 - 02G / 03G / 04G / 06G / 07G / 09G\*

\* dashed line is cut out for drain connection

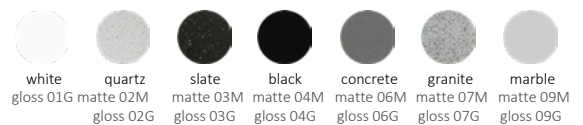
**halo****SA0512.01-01M**  
**SA0512.01-01G\***

- 20¾" L x 15" D x 32½" H / 530mm L x 380mm D x 900mm H
- Oval blu-stone™ freestanding pedestal basin without overflow
- Includes matching blu-stone™ waste cover
- Available in a range of blu-stone™ colors + finishes
- Recommend QTW-0120 push button waste; designed for use with blu-stone™ waste cover or SC015 universal push button waste

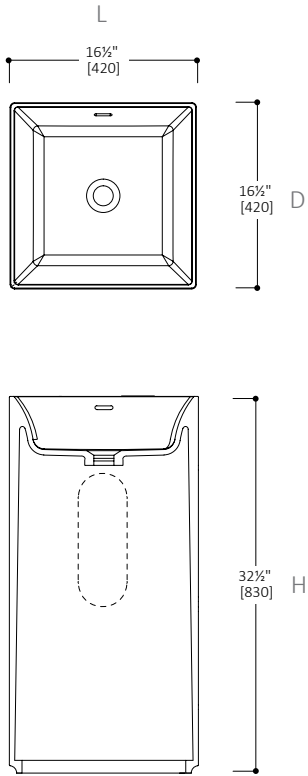
SA0512.01 - 02M / 03M / 04M / 06M / 07M / 09M\*

SA0512.01 - 02G / 03G / 04G / 06G / 07G / 09G\*

\* dashed line is cut out for drain connection

**\*Special Order Finishes\***

\*Special Order finishes require a 16+ week lead time upon 50% deposit confirmation



**metrix**

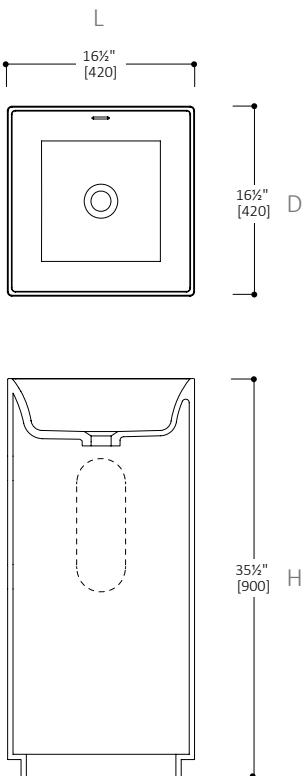
**SA0508.01-01M  
SA0508.01-01G\***

- 16½" L x 16½" D x 32½" H / 420mm L x 420mm D x 830mm H
- Square blu-stone™ freestanding pedestal basin with overflow
- Includes matching blu-stone™ waste cover
- Available in a range of blu-stone™ colors + finishes
- Recommend QTW-0121 push button waste; designed for use with blu-stone™ waste cover or SC015 universal push button waste

SA0508.01 - 02M / 03M / 04M / 06M / 07M / 09M\*

SA0508.01 - 02G / 03G / 04G / 06G / 07G / 09G\*

\* dashed line is cut out for drain connection



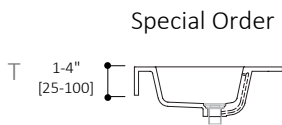
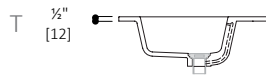
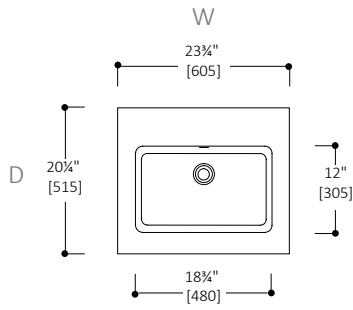
**metrix**

**SA0508-01M**

- 16½" L x 16½" D x 35½" H / 420mm L x 420mm D x 900mm H
- Square blu-stone™ freestanding pedestal basin with overflow
- Includes matching blu-stone™ waste cover
- Only available in White Matte finish
- Recommend QTW-0121 push button waste; designed for use with blu-stone™ waste cover or SC015 universal push button waste
- Limited stock item

\* dashed line is cut out for drain connection





**1/2" apron thickness**

**SA0600.01-01M**  
**SA0600.01-01G\***

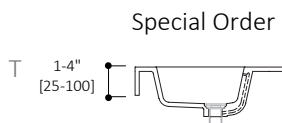
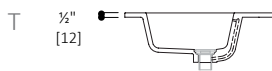
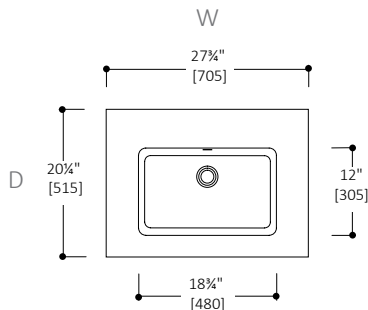
- 23 3/4" W x 20 3/4" D x 1/2" T / 605mm W x 515mm D x 12mm T
- blu-stone™ vanity top with integrated basin and integral slot overflow
- Basin: 18 3/4" W x 5" H x 12" D / 480mm W x 128mm H x 305mm D
- Knockouts may be drilled on-site for deck-mount faucet
- Includes matching blu-stone™ waste cover
- Available in a range of blu-stone™ colors + finishes
- Designed to coordinate with series 600 51 collection vanity only
- Recommend QTW-0121 push button waste; designed for use with blu-stone™ waste cover or SC015 universal push button waste

**1/2" apron thickness**

SA0600.01 - 02M / 03M / 04M / 06M / 07M / 09M\*  
SA0600.01 - 02G / 03G / 04G / 06G / 07G / 09G\*

**1 - 4" apron thickness**

SA0610.01-01M\*  
(advise height when ordering)



**1/2" apron thickness**

**SA0700.01-01M**  
**SA0700.01-01G\***

- 27 3/4" W x 20 3/4" D x 1/2" T / 705mm W x 515mm D x 12mm T
- blu-stone™ vanity top with integrated basin and integral slot overflow
- Basin: 18 3/4" W x 5" H x 12" D / 480mm W x 128mm H x 305mm D
- Knockouts may be drilled on-site for deck-mount faucet
- Includes matching blu-stone™ waste cover
- Available in a range of blu-stone™ colors + finishes
- Designed to coordinate with series 700 45<sup>o</sup> or 51 collection vanities (refer to pg 102 B)
- Recommend QTW-0121 push button waste; designed for use with blu-stone™ waste cover or SC015 universal push button waste

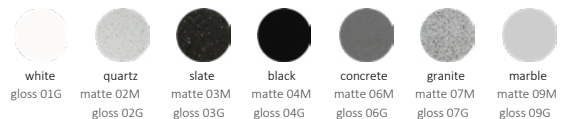
**1/2" apron thickness**

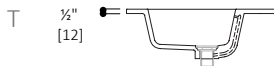
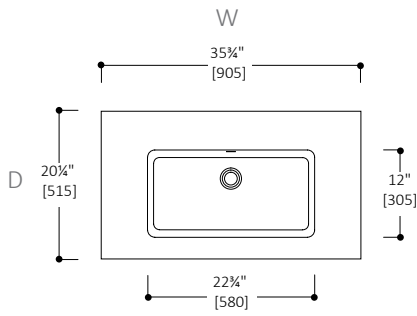
SA0700.01 - 02M / 03M / 04M / 06M / 07M / 09M\*  
SA0700.01 - 02G / 03G / 04G / 06G / 07G / 09G\*

**1 - 4" apron thickness**

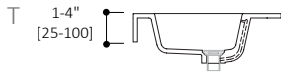
SA0710.01-01M\*  
(advise height when ordering)

\*Special Order Finishes\*





Special Order



**1/2" apron thickness**

**SA0900.01-01M**  
**SA0900.01-01G\***

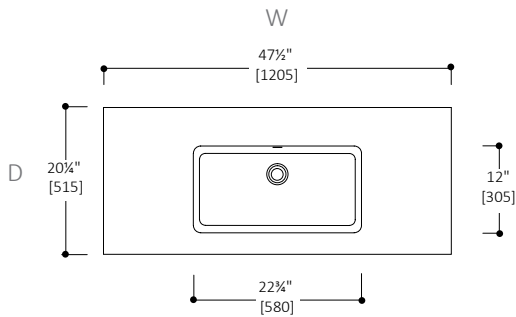
- 35 3/4" W x 20 3/4" D x 1/2" T / 905mm W x 515mm D x 12mm T
- blu-stone™ vanity top with integrated basin and integral slot overflow
- Basin: 18 3/4" W x 5" H x 12" D / 480mm W x 128mm H x 305mm D
- Knockouts may be drilled on-site for deck-mount faucet
- Includes matching blu-stone™ waste cover
- Available in a range of blu-stone™ colors + finishes
- Designed to coordinate with series 900 45<sup>o</sup> or 51 collection vanities
- Recommend QTW-0121 push button waste; designed for use with blu-stone™ waste cover or SC015 universal push button waste

**1/2" apron thickness**

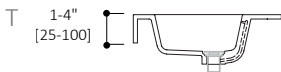
SA0900.01 - 02M / 03M / 04M / 06M / 07M / 09M\*  
SA0900.01 - 02G / 03G / 04G / 06G / 07G / 09G\*

**1 - 4" apron thickness**

SA0910.01-01M\*  
(advise height when ordering)



Special Order



**1/2" apron thickness**

**SA1200.01-01M**  
**SA1200.01-01G\***

- 47 1/2" W x 20 3/4" D x 1/2" T / 1205mm W x 515mm D x 12mm T
- blu-stone™ vanity top with integrated basin and integral slot overflow
- Basin: 22 3/4" W x 5" H x 12" D / 580mm W x 128mm H x 305mm D
- Knockouts may be drilled on-site for deck-mount faucet
- Includes matching blu-stone™ waste cover
- Available in a range of blu-stone™ colors + finishes
- Designed to coordinate with series 1200 45<sup>o</sup> or 51 collection vanities
- Recommend QTW-0121 push button waste; designed for use with blu-stone™ waste cover or SC015 universal push button waste

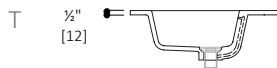
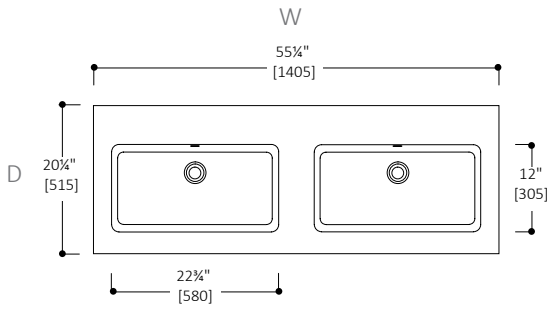
**1/2" apron thickness**

SA1200.01 - 02M / 03M / 04M / 06M / 07M / 09M\*  
SA1200.01 - 02G / 03G / 04G / 06G / 07G / 09G\*

**1 - 4" apron thickness**

SA1210.01-01M\*  
(advise height when ordering)





Special Order



**1/2" apron thickness**

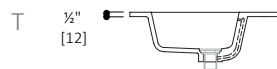
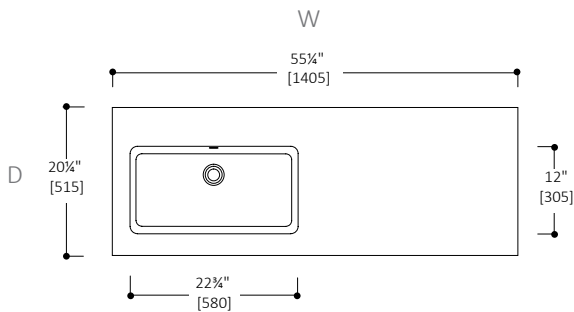
**SA1400.01-01M**  
**SA1400.01-01G\***

- 55 1/4" W x 20 3/4" D x 1/2" T / 1405mm W x 515mm D x 12mm T
- blu-stone™ double vanity top with integrated basins and integral slot overflows
- Basins: 22 3/4" W x 5" H x 12" D / 580mm W x 128mm H x 305mm D
- Knockouts may be drilled on-site for deck-mount faucet
- Includes matching blu-stone™ waste covers
- Only available in White Matte or White Gloss finish
- Designed to coordinate with series 1400 45º or 51 collection vanities
- Recommend QTW-0121 push button waste; designed for use with blu-stone™ waste cover or SC015 universal push button waste (refer to pg 31 A)

1 - 4" apron

SA1410.01-01M\*

(advise height when ordering)



Special Order



**1/2" apron thickness**

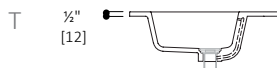
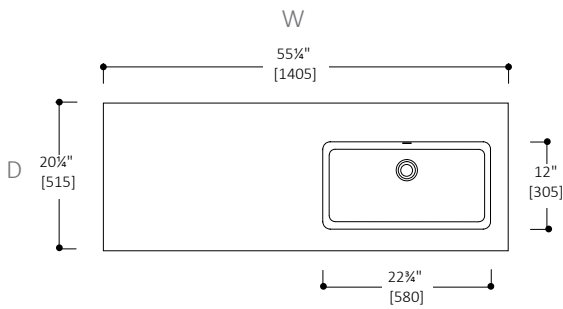
**SA1401.01-01M**  
**SA1401.01-01G\***

- 55 1/4" W x 20 3/4" D x 1/2" T / 1405mm W x 515mm D x 12mm T
- blu-stone™ vanity top with integrated left offset basin and integral slot overflow
- Basin: 22 3/4" W x 5" H x 12" D / 580mm W x 128mm H x 305mm D
- Knockouts may be drilled on-site for deck-mount faucet
- Includes matching blu-stone™ waste cover
- Only available in White Matte or White Gloss finish
- Designed to coordinate with series 1400 45º or 51 collection series
- Recommend QTW-0121 push button waste; designed for use with blu-stone™ waste cover or SC015 universal push button waste

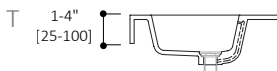
1 - 4" apron

SA1411.01-01M\*

(advise height when ordering)



Special Order



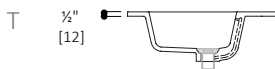
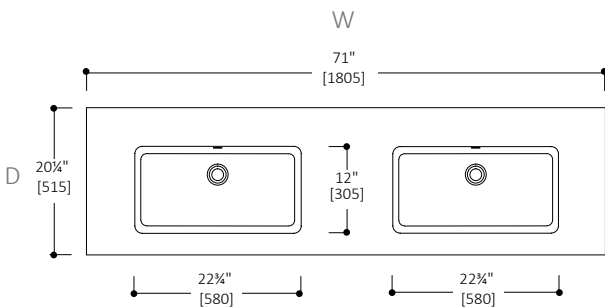
**1/2" apron thickness**

**SA1402.01-01M**  
**SA1402.01-01G\***

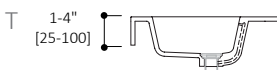
- 55 1/4" W x 20 1/4" D x 1/2" T / 1405mm W x 515mm D x 12mm T
- blu-stone™ vanity top with integrated right offset basin and integral slot overflow
- Basin: 22 3/4" W x 5" H x 12" D / 580mm W x 128mm H x 305mm D
- Knockouts may be drilled on-site for deck-mount faucet
- Includes matching blu-stone™ waste cover
- Only available in White Matte or White Gloss finish
- Designed to coordinate with series 1400 45° or 51 collection vanities
- Recommend QTW-0121 push button waste; designed for use with blu-stone™ waste cover or SC015 universal push button waste

**1 - 4" apron**

**SA1412.01-01M\***  
(advise height when ordering)



Special Order



**1/2" apron thickness**

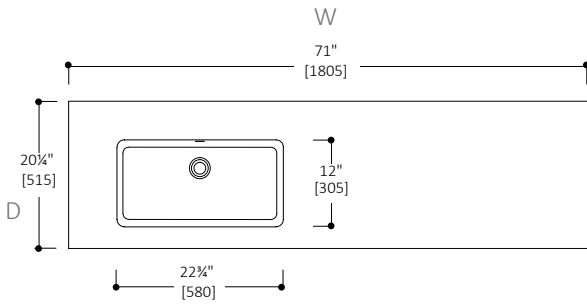
**SA1800.01-01M**  
**SA1800.01-01G\***

- 71" W x 20 1/4" D x 1/2" T / 1805mm W x 515mm D x 12mm T
- blu-stone™ double vanity top with integrated basins and integral slot overflows
- Basins: 22 3/4" W x 5" H x 12" D / 580mm W x 128mm H x 305mm D
- Knockouts may be drilled on-site for deck-mount faucet
- Includes matching blu-stone™ waste covers
- Only available in White Matte or White Gloss finish
- Designed to coordinate with series 1800 45° or 51 collection vanities.
- Recommend QTW-0121 push button waste; designed for use with blu-stone™ waste cover or SC015 universal push button waste

**1 - 4" apron**

**SA1810.01-01M\***  
(advise height when ordering)

\*Special Order finishes require a 16+ week lead time upon 50% deposit confirmation



1/2" apron thickness

SA1801.01-01M\*  
SA1801.01-01G\*

- 71" W x 20 1/4" D x 1/2" T / 1805mm W x 515mm D x 12mm T
- blu-stone™ vanity top with integrated left offset basin and integral slot overflow
- Basin: 22 3/4" W x 5" H x 12" D / 580mm W x 128mm H x 305mm D
- Knockouts may be drilled on-site for deck-mount faucet
- Includes matching blu-stone™ waste cover
- Only available in White Matte or White Gloss finish
- Designed to coordinate with series 1800 45° or 51 collection vanities
- Recommend QTW-0121 push button waste; designed for use with blu-stone™ waste cover or SC015 universal push button waste

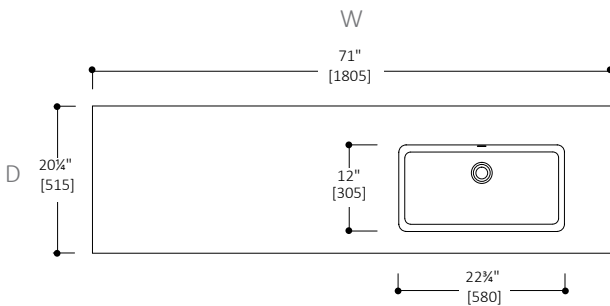


Special Order



1 - 4" apron

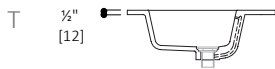
SA1811.01-01M\*  
(advise height when ordering)



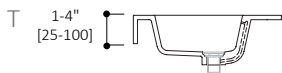
1/2" apron thickness

SA1802.01-01M\*  
SA1802.01-01G\*

- 71" W x 20 1/4" D x 1/2" T / 1805mm W x 515mm D x 12mm T
- blu-stone™ vanity top with integrated right offset basin and integral slot overflow
- Basins: 22 3/4" W x 5" H x 12" D / 580mm W x 128mm H x 305mm D
- Knockouts may be drilled on-site for deck-mount faucet
- Includes matching blu-stone™ waste covers
- Only available in White Matte or White Gloss finish
- Designed to coordinate with series 1800 45° or 51 collection vanities
- Recommend QTW-0121 push button waste; designed for use with blu-stone™ waste cover or SC015 universal push button waste



Special Order



1 - 4" apron

SA1812.01-01M\*  
(advise height when ordering)



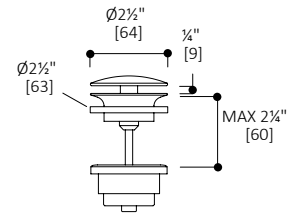
**SC015**

[QTW-0150]

- Universal push button waste,
- Suitable for both overflow and no overflow applications
- Shrouded threads + tailpiece included with waste
- Stainless steel AISI316L

finish

- AS
- ON\*
- OC\*
- OR\*

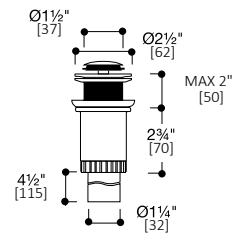


**QTW-0120**

- Push button waste without overflow
- Shrouded threads + tailpiece included with waste
- Stainless steel AISI316L
- Designed for use with blu-stone™ waste cover

finish

- AS

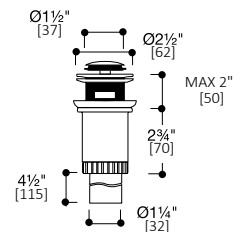


**QTW-0121**

- Push button waste with overflow
- Shrouded threads + tailpiece included with waste
- Stainless steel AISI316L
- Designed for use with blu-stone™ waste cover

finish

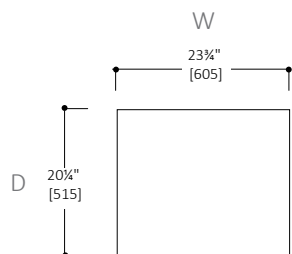
- AS





blu-stone™ vessel basin metrix SA0305N37.01-01M  
blu-stone™ countertop SAC1200.01-01M  
source series deck faucet 1202-OR

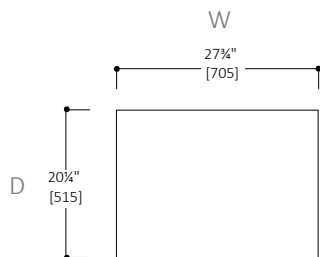




1/2" thickness

**SAC0600.01-01M\***

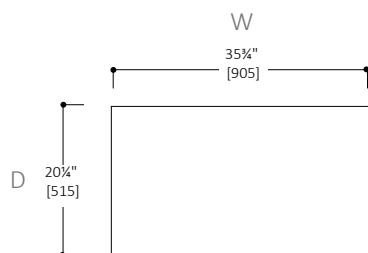
- 23 3/4" W x 20 1/4" D x 1/2" T / 605mm W x 515mm D x 12mm T
- blu-stone™ vanity countertop
- May be drilled on-site for deck-mount faucet installation
- Only available in White Matte finish
- Designed to coordinate with series 600 51 collection vanity only



1/2" thickness

**SAC0700.01-01M\***

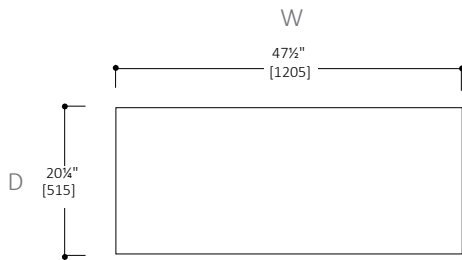
- 27 3/4" W x 20 1/4" D x 1/2" T / 705mm W x 515mm D x 12mm T
- blu-stone™ vanity countertop
- May be drilled on-site for deck-mount faucet installation
- Only available in White Matte finish
- Designed to coordinate with series 700 45° or 51 collection vanities



1/2" thickness

**SAC0900.01-01M\***

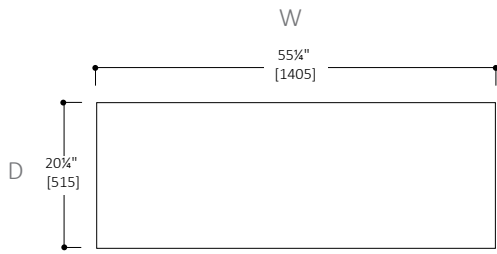
- 35 3/4" W x 20 1/4" D x 1/2" T / 905mm W x 515mm D x 12mm T
- blu-stone™ vanity countertop
- May be drilled on-site for deck-mount faucet installation
- Only available in White Matte finish
- Designed to coordinate with series 900 45° or 51 collection vanities



1/2" thickness

**SAC1200.01-01M\***

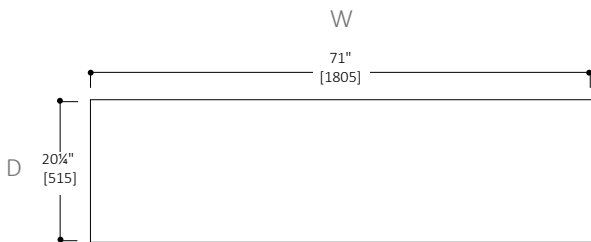
- 47 1/2" W x 20 1/4" D x 1/2" T / 1205mm W x 515mm D x 12mm T
- blu-stone™ vanity countertop
- May be drilled on-site for deck-mount faucet installation
- Only available in White Matte finish
- Designed to coordinate with series 1200 45° or 51 collection vanity



1/2" thickness

**SAC1400.01-01M\***

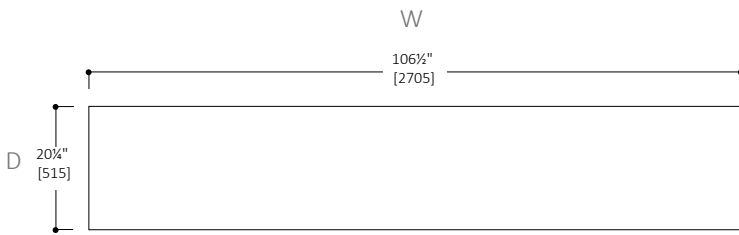
- 55 1/4" W x 20 1/4" D x 1/2" T / 1405mm W x 515mm D x 12mm T
- blu-stone™ vanity countertop
- May be drilled on-site for deck-mount faucet installation
- Only available in White Matte finish
- Designed to coordinate with series 1400 45° or 51 collection vanities



1/2" thickness

**SAC1800.01-01M\***

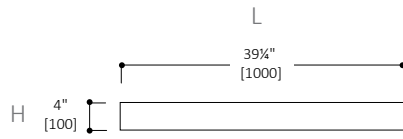
- 71" W x 20 1/4" D x 1/2" T / 1805mm W x 515mm D x 12mm T
- blu-stone™ vanity countertop
- May be drilled on-site for deck-mount faucet installation
- Only available in White Matte finish
- Designed to coordinate with series 1800 45° or 51 collection vanities .



1/2" thickness

**SAC2700.01-01M\***

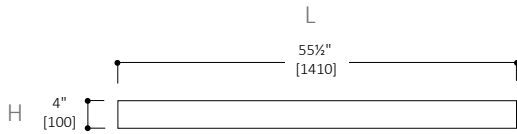
- 106 1/2" W x 20 1/4" D x 1/2" T / 2705mm W x 515mm D x 12mm T
- blu-stone™ vanity countertop
- May be drilled on-site for deck-mount faucet installation
- Can be cut to fit on-site
- Only available in White Matte finish
- Coordinate with custom-built vanities or with multiple 45° or 51 collection vanity combinations, including:
  - 3x series 900 vanities,
  - 2x series 1200 vanities
  - 1x series 1400 vanity + 1x series 900 vanity
  - 1x series 1800 vanity + 1x series 900 vanity
  - 1x series 1800 vanity, allowing for additional counter space



1/2" thickness

**SABS1000.01-01M\***

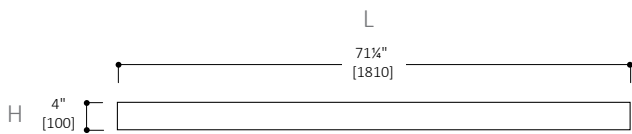
- 39 1/4" W x 4" H x 1/2" D / 1000mm W x 100mm H x 12mm D
- Seamless, blu·stone™ vanity backsplash
- Can be cut to fit on-site
- Only available in White Matte finish
- Coordinate with 45° or 51 collection vanities including: series 600 / 700 / 900



1/2" thickness

**SABS1400.01-01M\***

- 55 1/2" W x 4" H x 1/2" D / 1410mm W x 100mm H x 12mm D
- Seamless, blu·stone™ vanity backsplash
- Can be cut to fit on-site
- Only available in White Matte finish
- Coordinate with 45° or 51 collection vanities including: series 1200 (to be cut on-site) / 1400



1/2" thickness

**SABS1800.01-01M\***

- 71 1/4" W x 4" H x 1/2" D / 1810mm W x 100mm H x 12mm D
- Seamless, blu·stone™ vanity backsplash
- Can be cut to fit on-site
- Only available in White Matte finish
- Coordinate with 45° or 51 collection vanities including: series 1800

\*Special Order finishes require a 16+ week lead time upon 50% deposit confirmation







blu·stone™

shower bases

blu·stone™ shower base SB9160.01-01MC1

# features + benefits

Blu Bathworks blu-stone™ shower bases are Italian-crafted using our signature, eco-friendly blu-stone™ material. The low 1¼" or 1½" threshold shower base provides design flexibility, exceptional durability, architectural style, and a range of lengths in 31½" or 35½" width options. Further customization is possible as the shower base can be cut to fit on-site.



## blu-stone™

Shower bases are molded from our blu-stone™ material that looks and feels like natural stone. This 70% quartzite, high pressure injection mold is exceptionally durable, repairable, and is both stain and scratch resistant. Also, our blu-stone™ shower bases do not require regular maintenance like tile and alternative materials, such as resealing grout.



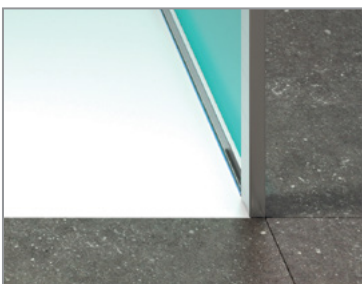
## Design Flexibility

The versatile right/left + center drain installation makes the shower base a convenient prospect for both new construction and remodels. Easily customizable, the shower receptor can be cut to fit specific lengths on site or cut to work around awkward corners or obstructions. For a unified design aesthetic, the shower base coordinates with a range of our blu-stone™ bathtubs, sinks and vanity countertops.



## One-Piece Design

Architecturally beautiful, the practical benefits of a seamless one-piece blu-stone™ shower base include the prevention of growth of mildew and mold, that typically occurs with grout. One-piece design also reduces the likelihood of leakage from the cracks in tiles and other alternatives. The shower base is thoughtfully molded to include a sloped floor that ensures water run-off through the drain only.

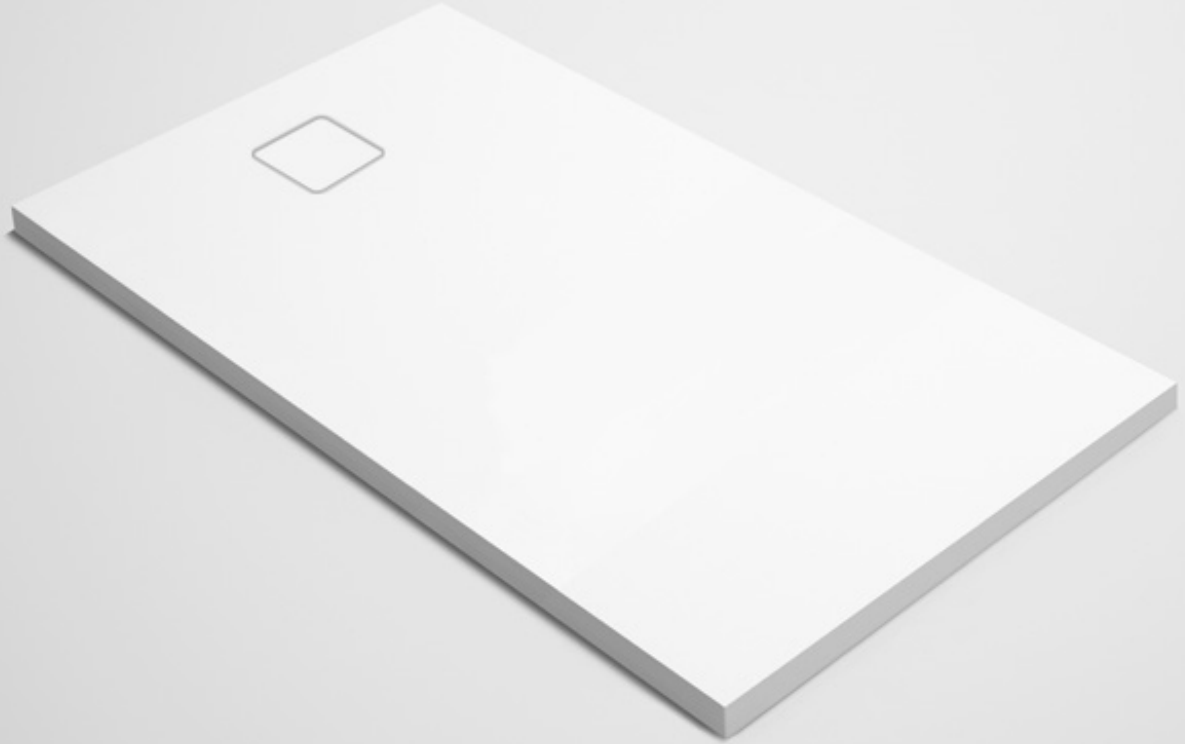


## Easy Installation

Precision engineered with a low 1¼" or 1½" threshold makes the blu-stone™ shower base an ease to install in any bathroom application. Whether it is surface-mounted or recessed, the shower base requires less labor and its associated cost to install.



# colors + finishes



blu-stone™ shower base SB9160.01-01MC1

## Material:

### blu-stone™

Solid Surface Material: 70% quartzite + 30% bio-resin

### finishes

Matte: Visually luminous and highly tactile, matte finish is soft and almost warm to the touch and evokes a minimalist architectural quality

Textured Matte: Subtle cement-like texture for a non-slip surface with natural look and feel

---

## How to order blu-stone™ shower bases:

Showerbase SKU + blu-stone™ color & finish

eg. blu-stone™ shower base in Black Matte (04MC1) finish = SB9160.01-04MC1

## blu·stone™ shower bases

Please refer to blu·stone™ sample chips for true finish and color.

### stocked

texture white



matte - 01M

textured white

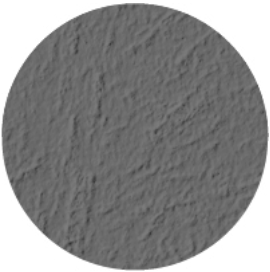


matte - 01MC1

### special order\*

(Max 50% discount)

textured concrete



matte - 06MC1

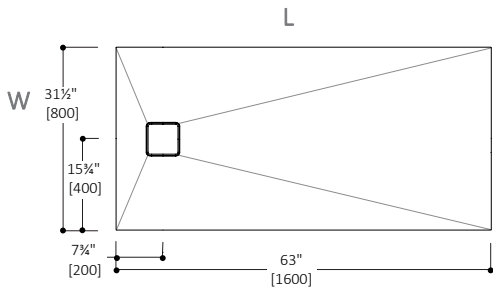
textured black



matte - 04MC1

1½" thickness

**SB8160.01-01MC1**

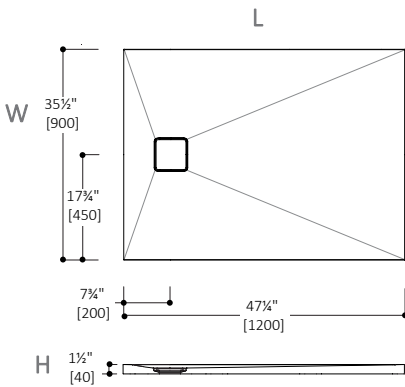


- 63" L x 31½" W x 1½" H / 1600mm L x 800mm W x 40mm H
- One-piece blu-stone™ shower base with removable blu-stone™ drain cover
- End drain with standard 3½" drain opening
- Cement-like textured, non-slip surface
- Easily customizable, can be cut to fit on-site
- Available in a range of blu-stone™ colors
- Alcove installation requires separate tile flange, TF.BTSB

SB8160.01 - 04MC1 / 06MC1\*

1½" thickness

**SB9120.01-01MC1**

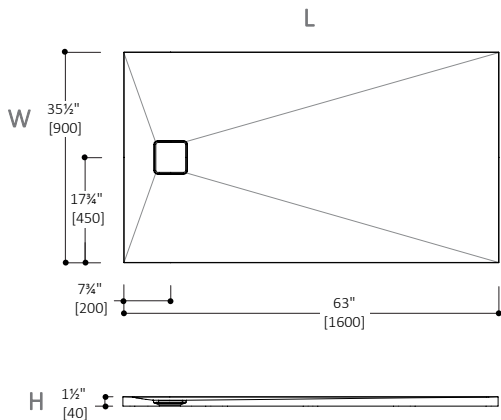


- 47¼" L x 35½" W x 1½" H / 1200mm L x 900mm W x 40mm H
- One-piece blu-stone™ shower base with removable blu-stone™ drain cover
- End drain with standard 3½" drain opening
- Cement-like textured, non-slip surface
- Easily customizable, can be cut to fit on-site
- Available in a range of blu-stone™ colors
- Alcove installation requires separate tile flange, TF.BTSB

SB9120.01 - 04MC1 / 06MC1\*

1½" thickness

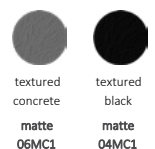
**SB9160.01-01MC1**



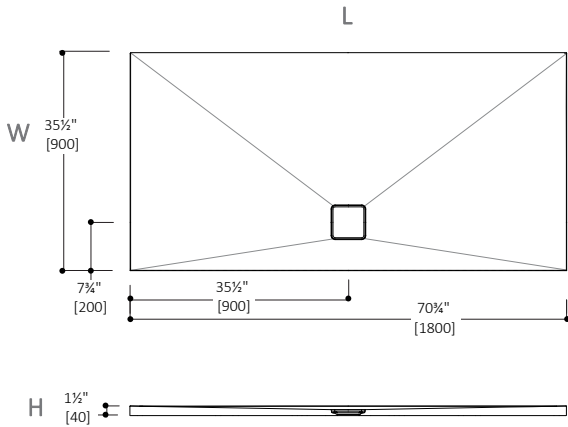
- 63" L x 35½" W x 1½" H / 1600mm L x 900mm W x 40mm H
- One-piece blu-stone™ shower base with removable blu-stone™ drain cover
- End drain with standard 3½" drain opening
- Cement-like textured, non-slip surface
- Easily customizable, can be cut to fit on-site
- Available in a range of blu-stone™ colors
- Alcove installation requires separate tile flange, TF.BTSB

SB9160.01 - 04MC1 / 06MC1\*

\*Special Order Finishes\*



\*Special Order finishes require a 16+ week lead time upon 50% deposit confirmation

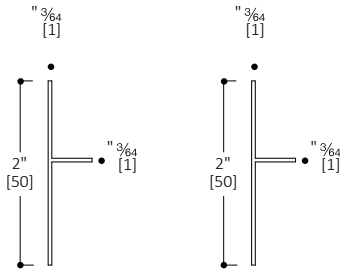


1 1/2" thickness

**SB9180.01-01MC1**

- 70 3/4" L x 35 1/2" W x 1 1/2" H / 1800mm L x 900mm W x 40mm H
- One-piece blu-stone™ shower base with removable blu-stone™ drain cover
- Offset center drain with standard 3 1/2" drain opening
- Cement-like textured, non-slip surface
- Easily customizable, can be cut to fit on-site
- Available in a range of blu-stone™ colors
- Alcove installation requires separate tile flange, TF.BTSB

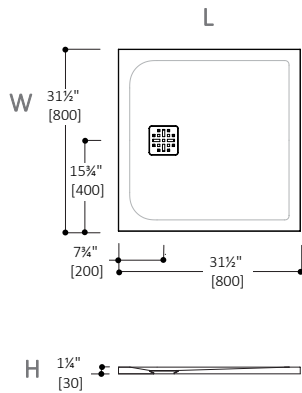
SB9180.01 - 04MC1 / 06MC1\*



**TF.BTSB**

- Pair of 72" high density Polyethylene tile flanges
- Suitable for alcove bathtub and shower base installation

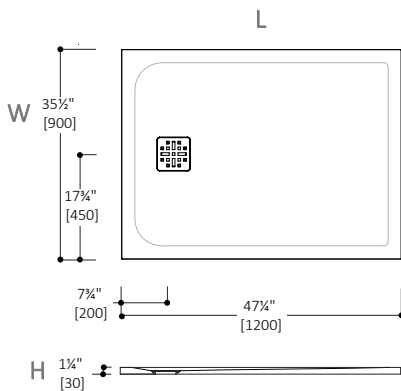




1¼" thickness

**SB8080-01M**

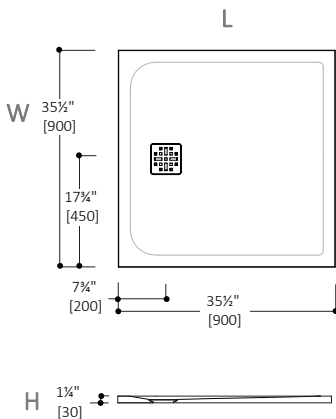
- 31½" L x 31½" W x 1¼" H / 800mm L x 800mm W x 30mm H One-piece blu-stone™ shower base with removable white stainless steel drain cover
- End drain with standard 3½" drain opening
- Easily customizable, can be cut to fit on-site, non-slip surface
- Only available in White Matte finish
- Alcove installation requires separate tile flange, TF.BTSB (refer to pg 79 A)
- *Limited stock item*



1¼" thickness

**SB8120-01M**

- 47¼" L x 35½" W x 1¼" H / 1200mm L x 800mm W x 30mm H One-piece blu-stone™ shower base with removable white stainless steel drain cover
- End drain with standard 3½" drain opening
- Easily customizable, can be cut to fit on-site, non-slip surface
- Only available in White Matte finish
- Alcove installation requires separate tile flange, TF.BTSB (refer to pg 79 A)
- *Limited stock item*



1¼" thickness

**SB9090-01M**

- 35½" L x 35½" W x 1¼" H / 900mm L x 900mm W x 30mm H One-piece blu-stone™ shower base with removable white stainless steel drain cover
- End drain with standard 3½" drain opening
- Easily customizable, can be cut to fit on-site, non-slip surface
- Only available in White Matte finish
- Alcove installation requires separate tile flange, TF.BTSB (refer to pg 79 A)
- *Limited stock item*



# warranty

## limited blu-stone™ residential warranty

Blu Bathworks® (“Blu”) blu-stone™ products are warranted to the original purchaser to be free from defects in all material and workmanship during normal residential use for a period of five (5) years from the date of purchase. Blu will, at its election, repair, provide a replacement part or product, or make appropriate adjustment, subject to the terms and conditions set forth in this warranty. Blu Bathworks does not recommend exceeding US/Canada maximum hot water temperature regulations of 150°F / 65°C, respectively. Exceeding stated temperatures could result in damage to blu-stone™ basins and bathtubs. Bathtub/basin drains and parts are warranted for a period of 1 year.

## limited acrylic residential warranty

Blu Bathworks® (“Blu”) acrylic bathtubs are warranted to the original purchaser to be free from defects in all material and workmanship during normal residential use for a period of five (5) years from the date of purchase. Blu will, at its election, repair, provide a replacement part or product, or make appropriate adjustment, subject to the terms and conditions set forth in this warranty. Acrylic bathtub drains are warranted for a period of 1 year.

## limited furniture residential warranty

Blu Bathworks® (“Blu”) furniture products are warranted to the original purchaser to be free from defects in all material and workmanship during normal residential use for a period of one (5) years from the date of purchase. Blu will, at its election, repair, provide a replacement part or product, or make appropriate adjustment, subject to the terms and conditions set forth in this warranty. The painted finish is warranted for a period of 2 years; furniture accessories and parts are warranted for a period of 1 year.

## limited tapware residential warranty

Blu Bathworks® (“Blu”) tapware products are warranted to the original purchaser to be free from defects in all mechanical parts during normal residential use for as long as the original purchaser owns his or her home. Blu will, at its election, repair, provide a replacement part or product, or make appropriate adjustment, subject to the terms and conditions set forth in this warranty. Normal wear and tear on parts is warranted for a period of 1 year. The PVD finish is warranted for a period of 5 years, powder coat finish is warranted for a period of 2 years, polish chrome finish is warranted for a period of 2 years.

## limited commercial warranty

Blu Bathworks® (“Blu”) products are warranted to the original purchaser to be free from defects in all material and workmanship during normal usage for a period of one (1) year from the date of purchase. Blu will, at its election, repair, provide a replacement part or product, or make appropriate adjustment, subject to the terms and conditions set forth in this warranty.

# terms + conditions

This warranty applies only to Blu Bathworks® ("Blu") products distributed in North America.

This warranty is non-transferable and is for the exclusive benefit of the original purchaser of a Blu product. This warranty may be exercised by the original purchaser of a unit in a new residential development. Blu recommends using a professional plumber for all installation and repair.

This warranty does not apply to products that have been installed in any manner other than as set out in Blu's installation guides, or to products that have been altered in any way.

For further clarity, the above stated warranty does not cover or apply to damage attributable to:

- a. neglect, misuse, abuse, accident or negligence;
- b. normal wear and tear, such as gloss reduction, scratching or fading over time due to use, cleaning practices or water or atmospheric condition, including but not limited to, the use of bleach, alkali, acid cleaners, dry (powder) cleaners or any other abrasive cleaners or the use of metal or nylon scrubbers.
- c. dirt or lime scale, or improper care, cleaning, or maintenance of the Product, or the use of inappropriate cleaners (such as those containing abrasives, ammonia, acids, waxes, bleaches, solvents, alcohol, or any product not recommended for chrome);
- d. damage caused by transportation, or improper storage;
- e. a natural calamity such as fire, earthquake, flood, thunder, electrical storm, etc.;
- f. sediments or foreign matter contained in a water system;
- g. damage or loss resulting from improper installation or from installation of the Product in a harsh and/or hazardous environment, or improper removal, repair or modification of the Product;
- h. electrical surges or lightning strikes or other acts which are not the fault of Blu Bathworks or which the Product is not specified to tolerate;
- i. the use of any Product in a manner inconsistent with the Product instructions / owners manual; and
- j. any failure, or damage to, this Product caused by either chloramines in the treatment of public water supply or cleaners containing chlorine (calcium hypochlorite).

NOTE: The use of high concentrate chlorine or chlorine related products can seriously damage the fittings. This damage can cause leakage and serious property damage.

- k. the aerator, cartridges/check valves included in some tapware, due to being an expendable item
- l. The supply lines must be flushed out to prevent clogging of the filter screens. Failure to flush the lines will permanently damage the cartridge and void the warranty

This is the only warranty of Blu, which makes no other warranty of any kind. Blu disclaims any liability for special, incidental or consequential damages.

In no event shall the liability of Blu under this warranty exceed the purchase price of the product.

## PROCEDURE FOR WARRANTY SERVICE

Refer to [blubathworks.com](http://blubathworks.com) for policy and procedures relating to requests for service under the terms of this warranty.

Original proof of purchase is required. Blu is not responsible for removal or installation costs, or the costs of shipping and handling associated with any service. Repaired or replaced products or parts are warranted only for the period remaining under the initial warranty.

For warranty eligibility, a completed & signed Return Goods Authorization (RGA) form must be emailed to Blu Bathworks® at [support@blubathworks.com](mailto:support@blubathworks.com), which includes all relevant information regarding your claim, including:

- Product /SKU number
- Proof-of-purchase (copy of your original sales receipt, purchase order, or invoice), the date the product was purchased and installation date
- Complete description of the problem with supporting documentation as applicable (such as photographs)

Note: Failure to provide any required information will void the warranty.

Any damages resulting from transportation or missing parts must be reported to Blu within 5 days of receipt by the consignee. Please allow 7 to 14 business days for warranty processing.

Special Order items are not subject to cancellation or return.

# inventory

Blu Bathworks' categorizes standard in-stock inventory items versus special order items and provides an estimated guideline for fulfillment of custom blu-stone™ + amanpuri items, as outlined below.

Lead times indicated are approximative from order confirmation date and do not include shipping within North America. Designer Bathtubs require a 50% non-refundable deposit at time of order acceptance.

Note: The maximum Dealer discount on blu-stone™ colored products + custom orders is 50% (.5 multiplier)

## blu-stone™ Stock: inventory      \*Special Order: 16+ week

### basins + bathtubs

01M	stock	07M/G	special order
01G	special order	09M/G	special order
02M/G	special order		
03M/G	special order		
04M/G	special order		
06M/G	special order		

### showerbases

01M	stock
01MC1	stock
04MC1	special order
06MC1	special order

## designer series bathtubs \*Special Order: 16+ week

7000 series	special order
-------------	---------------

## Acrylic bathtubs

01M	stock
gloss finish	stock

# contact

We pride ourselves in customer service – we’re here to help you and your clients experience the best in design, functionality & service. For your convenience, please use the contact support information listed below.

## Phone

Toll free: +1.866.907.0122

Local: +1.604.299.0122

## Email

Orders: [orders@blubathworks.com](mailto:orders@blubathworks.com)

Inquiries: [info@blubathworks.com](mailto:info@blubathworks.com)

Technical/After-sales: [support@blubathworks.com](mailto:support@blubathworks.com)

Marketing: [marketing@blubathworks.com](mailto:marketing@blubathworks.com)

## Online

Website: [blubathworks.com](http://blubathworks.com)

Social Media: [@blubathworks](#)

