



blu

BATHWORKS®

blu·stone™

product catalogue

September 2023



# table of contents

introduction 6

blu·stone™  
basins 8

features + benefits 14

color + finish guide 16

vessel/countertop 18

pedestal 22

vanity top 26

basin accessories 31

countertop + backsplash 34

blu·stone™  
bathtubs 38

features + benefits 44

color + finish guide 46

alcove + freestanding 48

accessories 56

amanpuri collection 58

designer series 64

## blu·stone™ shower bases 72

features + benefits 74

color + finish guide 76

shower bases 78

## acrylic bathtubs 82

features + benefits 86

color + finish guide 88

alcove + freestanding 90

warranty + terms 94

inventory 96

contact information 97

# Blu Bathworks®

Blu is a complete modern bathware solution, certified for use in the North American market.

The full range of collections were created with the same design DNA and work in harmony to provide an entire bathroom solution or as standalone statement pieces.



where water meets modern™







blu·stone™  
eco-friendly  
stone material

exclusive to Blu Bathworks®

# modern architectural sustainable design

With an inherent passion for water conservation, Blu Bathworks® is committed to developing sustainable products for an ecological future.

This passion motivated us to create our signature eco-friendly blu·stone™ material, which – in addition to its low-energy production process and recyclable nature – provides superior water temperature retention, requiring less water consumption for an optimum bathing experience.

“ Our newest product selection reflects our continued vision and pursuit of design and product innovation. ”

Our eco-friendly blu·stone™ collection, is available in a wide range of luxury basins, bathtubs, shower bases, countertops, backsplashes and even a tray for our freestanding tubs.

Sustainability is an expression of our corporate culture, expressed in our attitude, product offering, as well as our production processes. We continue to evolve our working relationships to constantly review and optimize our production practices from an ecology viewpoint.

# codes + compliance

Blu is proud to feature a selection of sustainable and certified products, that meet or exceed the highest standards, including:



CalGreen compliant

AB1953

AB1953 compliant, lead-free tapware



LEED certified products



IAPMO



UPC/cUPC



Massachusetts code



California Energy Commission



UL Listed



CSA certified products



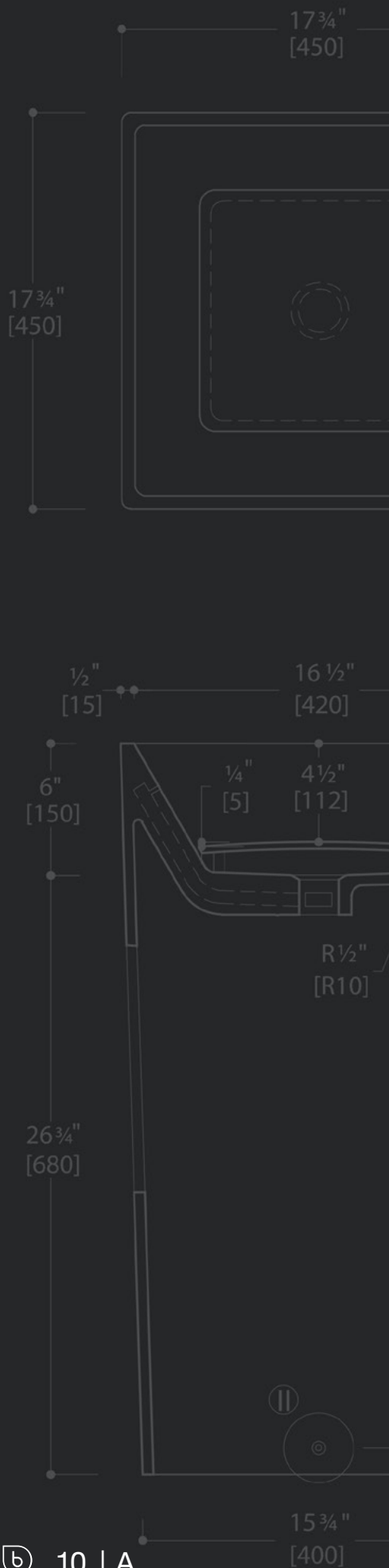
# blu·stone™ basins

vessel  
pedestal  
vanity top  
countertop  
backsplash



**blu·stone™ basin** metrix SA0305N37.01-01G  
**source series wall mixer handle** 1343.00-AS  
**wall spout** BC018-AS







**blu-stone™ pedestal basin SA0508-01G**  
**floor spout BV421-AS**





blu-stone™ vanity top basin SA1400.01-01M  
source series deck faucets 1201T-AS  
45° UP vanity F45V2-1400.1-01M + FV2D-1400.1-03





# features + benefits

The blu-stone™ basin collection continues to grow, building on the success of signature pieces such as the coco freestanding pedestal. This carefully curated collection includes a range of basin models for vessel, pedestal, and vanity top applications – all embodying the brand's minimalist aesthetic and seamless design.



## blu-stone™

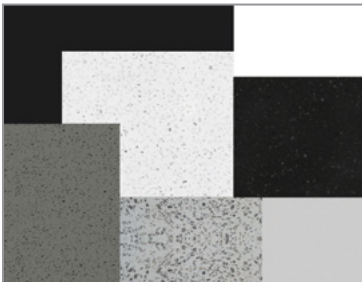
Basins are created from our signature blu-stone™ material that is high pressure injection molded from 80% quartzite. This dynamic material is durable and eco-friendly. Crafted in Italy, blu-stone™ requires less energy to produce and is recyclable and repairable in nature.



## Durable, One-Piece Design

blu-stone™ basins are non-porous, stain and impact resistant making them hygienic and durable for daily uses. Easy to remove stains and can be readily repairable, blu-stone™ basins are perfect for any household.

Beautiful one-piece design offers a cleaner and more modern aesthetic. Also, there are no seams or cracks, making it easy to clean.



## Colors + Finishes

A selection of blu-stone™ basins are available in a range of modern stone-like colors including quartz (white), marble (gray), slate (black) and more. Homogeneous in nature, the color is consistent throughout, resulting in a finish that will last a lifetime.



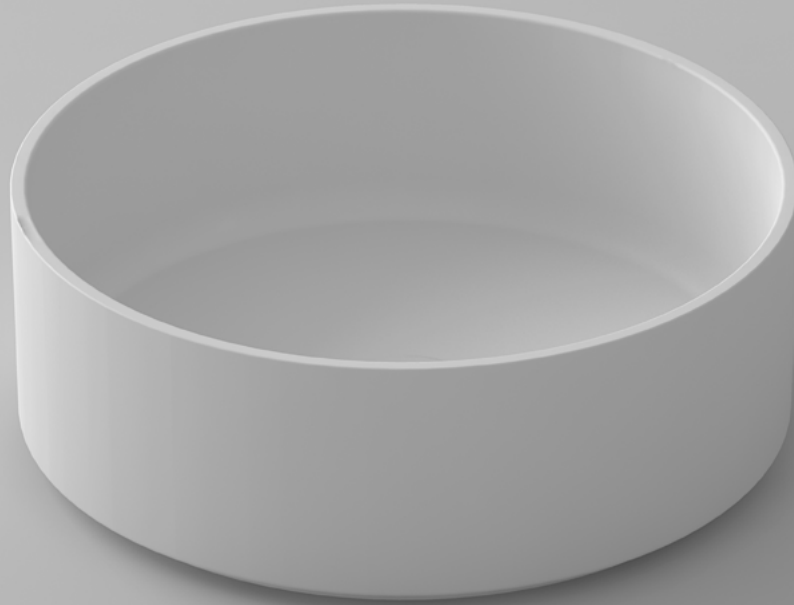
## Design Flexibility

Besides being easily molded, blu-stone™ integrated vanity tops and countertops can be cut accordingly to fit projects on-site. Similar to wood's tangibility, it can be sawed, drilled, milled, and ground with hard tipped tools.



**blu-stone™ vessel basin** metrix SA0305N37.01-01M  
**source series wall mixer handle** 1343.00-AS  
**wall spout** BC017-AS

# colors + finishes



blu-stone™ vessel basin coco SA0107N37.01-01M

## Material:

### blu-stone™

#### Solid Surface Material:

80% quartzite + 20% bio-resin,  
injection molded

### finishes

**Matte:** Visually luminous and highly tactile, matte finish is soft and almost warm to the touch and evokes a minimalist architectural quality

**Gloss:** High gloss finish is available for select blu-stone™ pieces, which adds a modern touch and enhances design coordination

---

## How to order blu-stone™ basins:

### Basin SKU + blu-stone™ color/finish code

eg. coco vessel basin in Quartz Gloss (02G) finish = **SA0210-02G**

**blu·stone™ basins**

Please refer to blu·stone™ sample chips for true finish and color.

**stocked**

**white**



**matte - 01M**

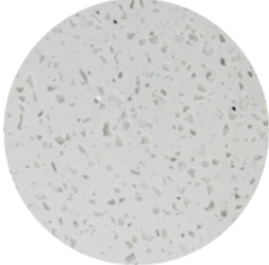
**special order\***

**white**



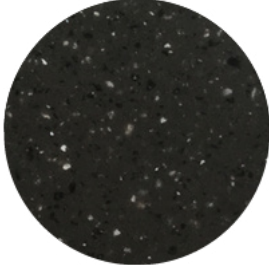
**gloss - 01G**

**quartz**



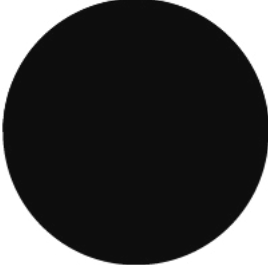
**matte - 02M  
gloss - 02G**

**slate**



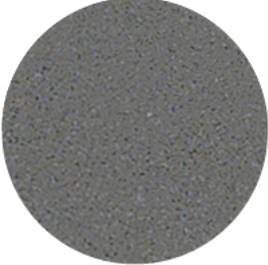
**matte - 03M  
gloss - 03G**

**black - 04**



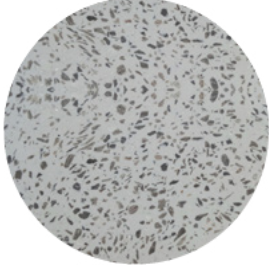
**matte - 04M  
gloss - 04G**

**concrete**



**matte - 06M  
gloss - 06G**

**granite**



**matte - 07M  
gloss - 07G**

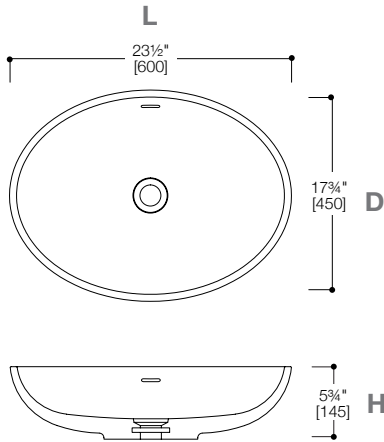
**marble**



**matte - 09M  
gloss - 09G**

\*Special Order finishes require a 16+ week lead time upon order confirmation (refer to pg 96 A)





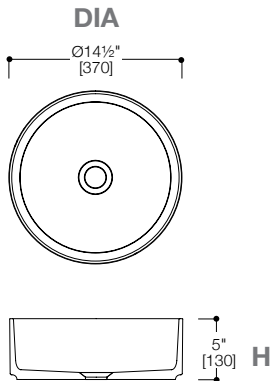
halo

**SA0102.01-01M**  
**SA0102.01-01G\***

- 23½" L x 17¾" D x 5¾" H / 600mm L x 450mm D x 145mm H
- Oval blu·stone™ countertop vessel basin with slot overflow
- Includes matching blu·stone™ waste cover
- Available in a range of blu·stone™ colors + finishes
- Recommend QTW-0121 push button waste; designed for use with blu·stone™ waste cover or SC015 universal push button waste (refer to pg 31 A)

SA0102.01 - 02M / 03M / 04M / 06M / 07M / 09M\*

SA0102.01 - 02G / 03G / 04G / 06G / 07G / 09G\*



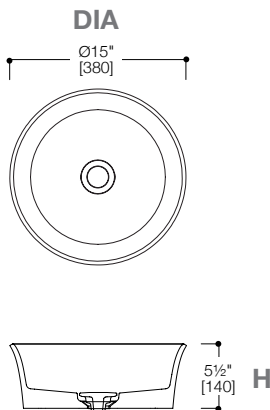
COCO

**SA0107N37.01-01M**  
**SA0107N37.01-01G\***

- 14½" DIA x 5" H / 370mm DIA x 130mm H
- Round blu·stone™ countertop vessel basin without overflow
- Includes matching blu·stone™ waste cover
- Available in a range of blu·stone™ colors + finishes
- Recommend QTW-0120 push button waste; designed for use with blu·stone™ waste cover or SC015 universal push button waste (refer to pg 31 A)

SA0107N37.01 - 02M / 03M / 04M / 06M / 07M / 09M\*

SA0107N37.01 - 02G / 03G / 04G / 06G / 07G / 09G\*

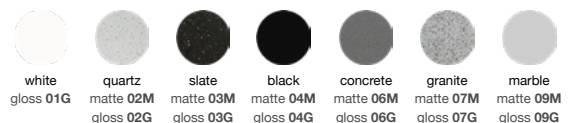


luna

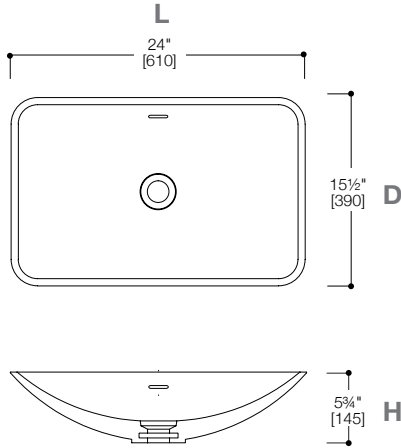
**SA0107N38-01M**

- 15" DIA x 5½" H / 380mm DIA x 140mm H
- Round blu·stone™ countertop vessel basin without overflow
- Includes matching blu·stone™ waste cover
- Only available in White Matte finish
- Recommend QTW-0120 push button waste; designed for use with blu·stone™ waste cover or SC015 universal push button waste (refer to pg 31 A)
- *Limited stock item*

\*Special Order Finishes\*







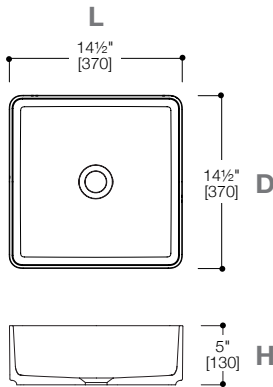
metrix

**SA0204.01-01M**  
**SA0204.01-01G\***

- 24" L x 15 1/2" D x 5 3/4" H / 610mm L x 390mm D x 145mm H
- Rectangular blu·stone™ countertop vessel basin with slot overflow
- Includes matching blu·stone™ waste cover
- Available in a range of blu·stone™ colors + finishes
- Recommend QTW-0121 push button waste; designed for use with blu·stone™ waste cover or SC015 universal push button waste (refer to pg 31 A)

SA0204.01 - 02M / 03M / 04M / 06M / 07M / 09M\*

SA0204.01 - 02G / 03G / 04G / 06G / 07G / 09G\*



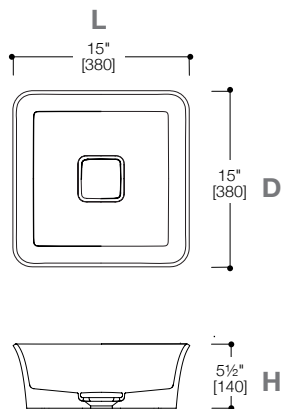
metrix

**SA0209N37.01-01M**  
**SA0209N37.01-01G\***

- 14 1/2" L x 14 1/2" D x 5" H / 370mm L x 370mm D x 130mm H
- Square blu·stone™ countertop vessel basin without overflow
- Includes matching blu·stone™ waste cover
- Available in a range of blu·stone™ colors + finishes
- Recommend QTW-0120 push button waste; designed for use with blu·stone™ waste cover or SC015 universal push button waste (refer to pg 31 A)

SA0209N37.01 - 02M / 03M / 04M / 06M / 07M / 09M\*

SA0209N37.01 - 02G / 03G / 04G / 06G / 07G / 09G\*



luna

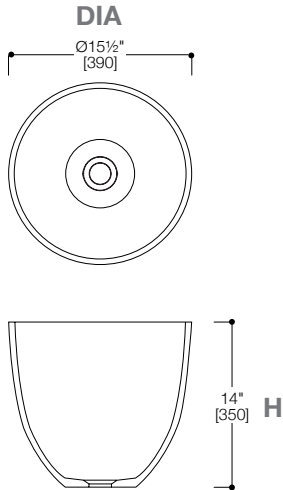
**SA0209N38-01M**

- 15" L x 15" D x 5 1/2" H / 380mm L x 380mm D x 140mm H
- Square blu·stone™ countertop vessel basin without overflow
- Includes matching blu·stone™ waste cover
- Only available in White Matte finish
- Recommend QTW-0120 push button waste; designed for use with blu·stone™ waste cover or SC015 universal push button waste (refer to pg 31 A)
- **Limited stock item**

\*Special Order Finishes\*



\*Special Order finishes require a 16+ week lead time upon order confirmation (refer to pg 96 A)



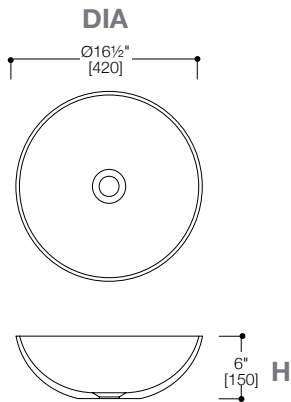
COCO

**SA0210-01M**  
**SA0210-01G\***

- 15½" DIA x 14" H / 390mm DIA x 350mm H
- Round blu-stone™ countertop vessel basin without overflow
- Includes matching blu-stone™ waste cover
- Available in a range of blu-stone™ colors + finishes
- Recommend QTW-0120 push button waste; designed for use with blu-stone™ waste cover or SC015 universal push button waste (refer to pg 31 A)

SA0210 - 02M / 03M / 04M / 06M / 07M / 09M\*

SA0210 - 02G / 03G / 04G / 06G / 07G / 09G\*



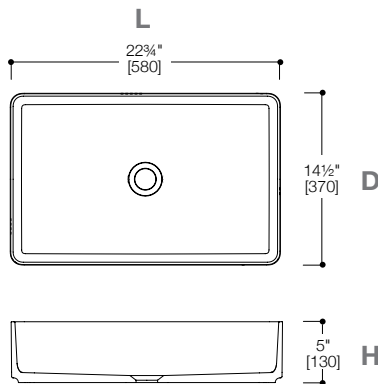
COCO

**SA0211-01M**  
**SA0211-01G\***

- 16½" DIA x 6" H / 420mm DIA x 150mm H
- Round blu-stone™ countertop vessel basin without overflow
- Includes matching blu-stone™ waste cover
- Available in a range of blu-stone™ colors + finishes
- Recommend QTW-0120 push button waste; designed for use with blu-stone™ waste cover or SC015 universal push button waste (refer to pg 31 A)

SA0211 - 02M / 03M / 04M / 06M / 07M / 09M\*

SA0211 - 02G / 03G / 04G / 06G / 07G / 09G\*



metrix

**SA0305N37.01-01M**  
**SA0305N37.01-01G\***

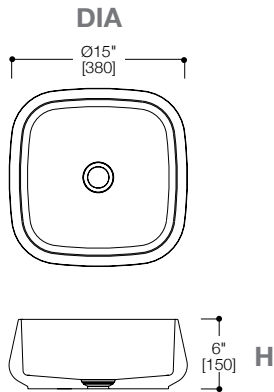
- 22¾" L x 14½" D x 5" H / 580mm L x 370mm D x 130mm H
- Rectangular blu-stone™ countertop vessel basin without overflow
- Includes matching blu-stone™ waste cover
- Available in a range of blu-stone™ colors + finishes
- Recommend QTW-0120 push button waste; designed for use with blu-stone™ waste cover or SC015 universal push button waste (refer to pg 31 A)

SA0305N37 - 02M / 03M / 04M / 06M / 07M / 09M\*

SA0305N37 - 02G / 03G / 04G / 06G / 07G / 09G\*

\*Special Order Finishes\*





**NEW**

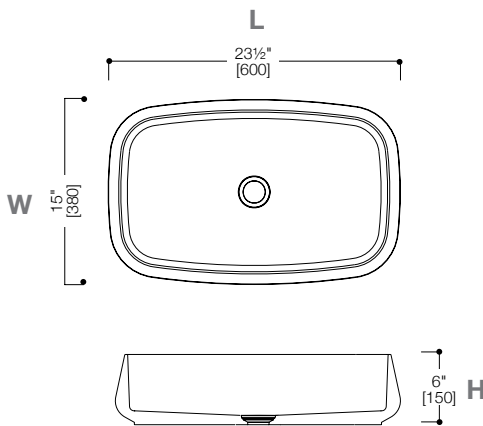
sereno

**SA0307-01M\***  
**SA0307-01G\***

- 15" DIA x 6" H / 380mm DIA x 150mm H
- round blu·stone™ countertop vessel basin without overflow
- Includes matching blu·stone™ waste cover
- Available in a range of blu·stone™ colors + finishes
- Recommend QTW-0120 push button waste; designed for use with blu·stone™ waste cover or SC015 universal push button waste (refer to pricelist pg 31 A)

SA0307 - 02M / 03M / 04M / 06M / 07M / 09M\*

SA0307 - 02G / 03G / 04G / 06G / 07G / 09G\*



**NEW**

sereno

**SA0307N38-01M\***  
**SA0307N38-01G\***

- 23½" L x 15" W x 6" H / 600mm L x 380 W x 150mm H
- oval blu·stone™ countertop vessel basin without overflow
- Includes matching blu·stone™ waste cover
- Available in a range of blu·stone™ colors + finishes
- Recommend QTW-0120 push button waste; designed for use with blu·stone™ waste cover or SC015 universal push button waste (refer to pricelist pg 31 A)

SA0307N38 - 02M / 03M / 04M / 06M / 07M / 09M\*

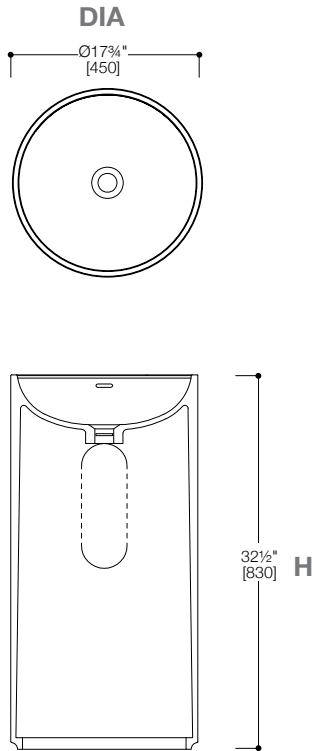
SA0307N38 - 02G / 03G / 04G / 06G / 07G / 09G\*

**\*Special Order Finishes\***



All New Items are Special Order for 2023

\*NEW items require a 6-8 week lead time upon order confirmation (refer to pg 96 A)



COCO

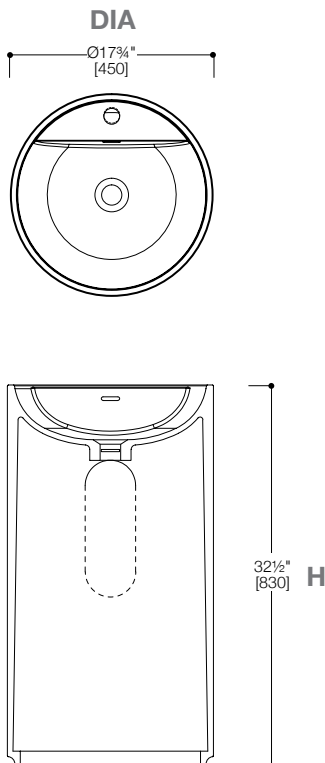
**SA0510.01-01M**  
**SA0510.01-01G\***

- 17 3/4" DIA x 32 1/2" H / 450mm DIA x 830mm H
- Round blu·stone™ freestanding pedestal basin with slot overflow
- Includes matching blu·stone™ waste cover
- Available in a range of blu·stone™ colors + finishes
- Recommend QTW-0121 push button waste; designed for use with blu·stone™ waste cover or SC015 universal push button waste (refer to pg 31 A)

SA0510.01 - 02M / 03M / 04M / 06M / 07M / 09M\*

SA0510.01 - 02G / 03G / 04G / 06G / 07G / 09G\*

\* dashed line is cut out for drain connection



COCO

**SA0511.01-01M**  
**SA0511.01-01G\***

- 17 3/4" DIA x 32 1/2" H / 450mm DIA x 830mm H
- Round blu·stone™ freestanding, single-hole pedestal basin with overflow
- Includes matching blu·stone™ waste cover
- Knockout pre-drilled for deck-mount faucet
- Available in a range of blu·stone™ colors + finishes
- Recommend QTW-0121 push button waste; designed for use with blu·stone™ waste cover or SC015 universal push button waste (refer to pg 31 A)

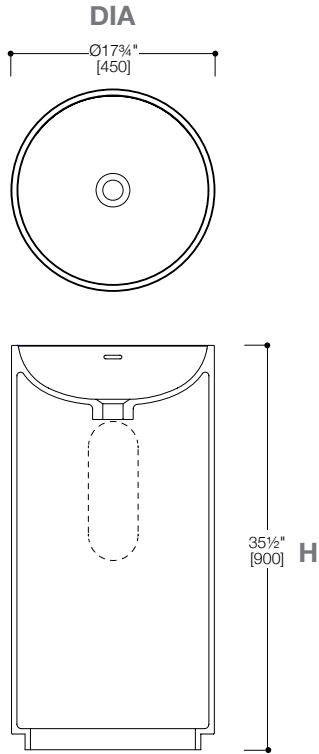
SA0511.01 - 02M / 03M / 04M / 06M / 07M / 09M\*

SA0511.01 - 02G / 03G / 04G / 06G / 07G / 09G\*

\* dashed line is cut out for drain connection

\*Special Order Finishes\*



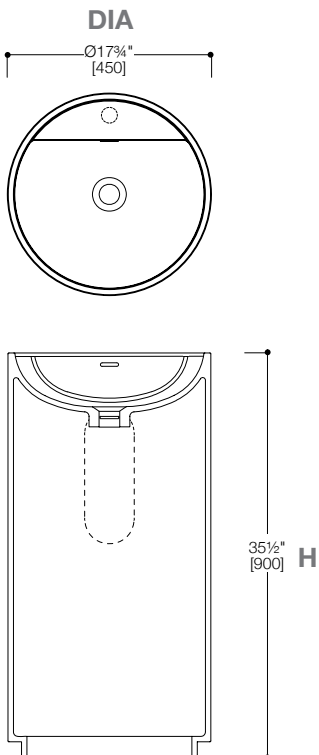


COCO

**SA0510-01M**

- 17¾" DIA x 35½" H / 450mm DIA x 900mm H
- Round blu·stone™ freestanding pedestal basin with slot overflow
- Includes matching blu·stone™ waste cover
- Only available in White Matte finish
- Recommend QTW-0121 push button waste; designed for use with blu·stone™ waste cover or SC015 universal push button waste (refer to pg 31 A)
- *Limited stock item*

\* dashed line is cut out for drain connection

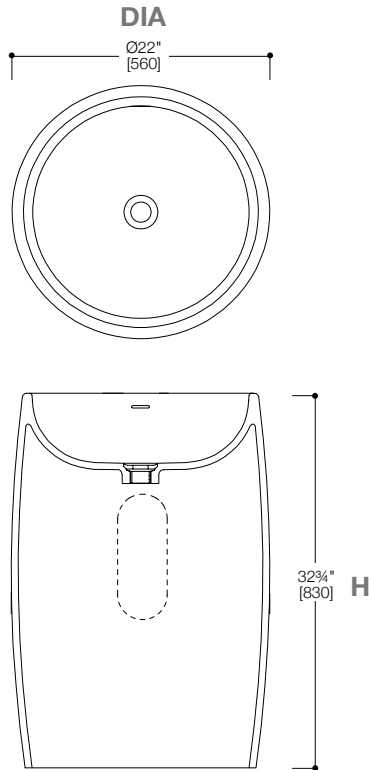


COCO

**SA0511-01M**

- 17¾" DIA x 35½" H / 450mm DIA x 900mm H
- Round blu·stone™ freestanding, single-hole pedestal basin with overflow
- Includes matching blu·stone™ waste cover
- Knockout pre-drilled for deck-mount faucet
- Only available in White Matte finish
- Recommend QTW-0121 push button waste; designed for use with blu·stone™ waste cover or SC015 universal push button waste (refer to pg 31 A)
- *Limited stock item*

\* dashed line is cut out for drain connection



halo

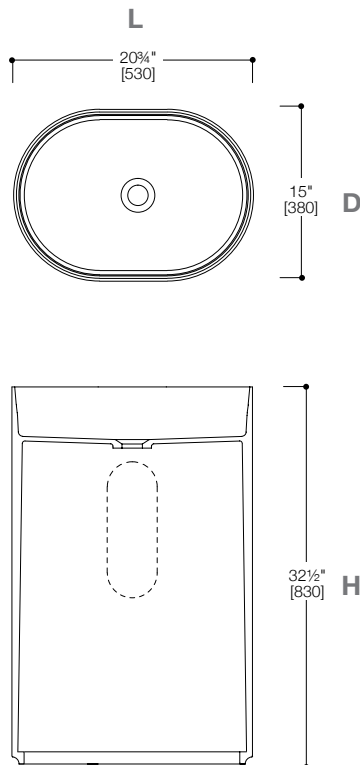
**SA0507.01-01M**  
**SA0507.01-01G\***

- 22" DIA x 32¾" H / 560mm DIA x 830mm H
- Round blu·stone™ freestanding pedestal basin with slot overflow
- Includes matching blu·stone™ waste cover
- Available in a range of blu·stone™ colors + finishes
- Recommend QTW-0121 push button waste; designed for use with blu·stone™ waste cover or SC015 universal push button waste (refer to pg 31 A)

SA0507.01 - 02M / 03M / 04M / 06M / 07M / 09M\*

SA0507.01 - 02G / 03G / 04G / 06G / 07G / 09G\*

\* dashed line is cut out for drain connection



halo

**SA0512.01-01M**  
**SA0512.01-01G\***

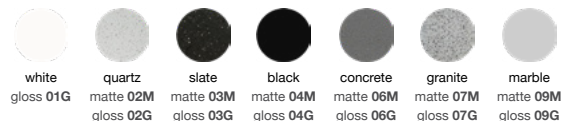
- 20¾" L x 15" D x 35½" H / 530mm L x 380mm D x 900mm H
- Oval blu·stone™ freestanding pedestal basin without overflow
- Includes matching blu·stone™ waste cover
- Available in a range of blu·stone™ colors + finishes
- Recommend QTW-0120 push button waste; designed for use with blu·stone™ waste cover or SC015 universal push button waste (refer to pg 31 A)

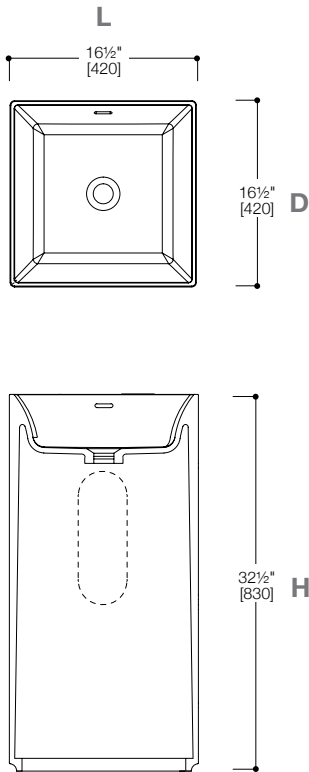
SA0512.01 - 02M / 03M / 04M / 06M / 07M / 09M\*

SA0512.01 - 02G / 03G / 04G / 06G / 07G / 09G\*

\* dashed line is cut out for drain connection

## \*Special Order Finishes\*





metrix

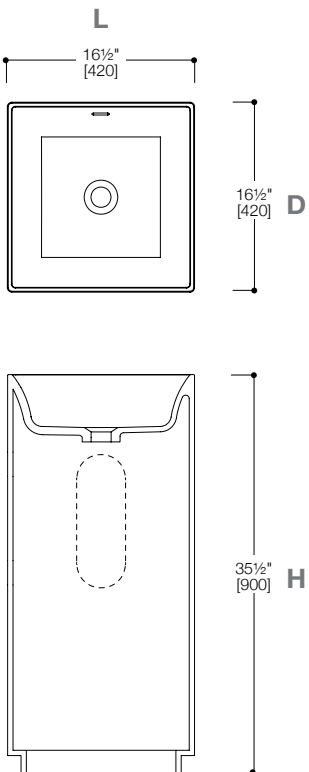
**SA0508.01-01M**  
**SA0508.01-01G\***

- 16½" L x 16½" D x 32½" H / 420mm L x 420mm D x 830mm H
- Square blu·stone™ freestanding pedestal basin with overflow
- Includes matching blu·stone™ waste cover
- Available in a range of blu·stone™ colors + finishes
- Recommend QTW-0121 push button waste; designed for use with blu·stone™ waste cover or SC015 universal push button waste (refer to pg 31 A)

SA0508.01 - 02M / 03M / 04M / 06M / 07M / 09M\*

SA0508.01 - 02G / 03G / 04G / 06G / 07G / 09G\*

\* dashed line is cut out for drain connection



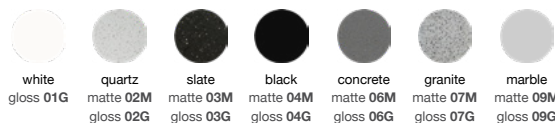
metrix

**SA0508-01M**

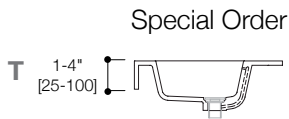
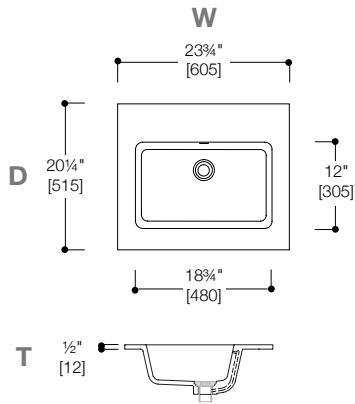
- 16½" L x 16½" D x 35½" H / 420mm L x 420mm D x 900mm H
- Square blu·stone™ freestanding pedestal basin with overflow
- Includes matching blu·stone™ waste cover
- Only available in White Matte finish
- Recommend QTW-0121 push button waste; designed for use with blu·stone™ waste cover or SC015 universal push button waste (refer to pg 31 A)
- *Limited stock item*

\* dashed line is cut out for drain connection

**\*Special Order Finishes\***



\*Special Order finishes require a 16+ week lead time upon order confirmation (refer to pg 96 A)



1/2" apron thickness

**SA0600.01-01M**  
**SA0600.01-01G\***

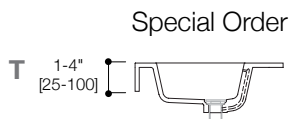
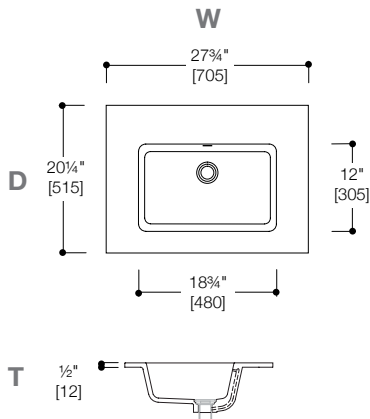
- 23 3/4" W x 20 1/4" D x 1/2" T / 605mm W x 515mm D x 12mm T
- blu-stone™ vanity top with integrated basin and integral slot overflow
- Basin: 18 3/4" W x 5" H x 12" D / 480mm W x 128mm H x 305mm D
- Knockouts may be drilled on-site for deck-mount faucet
- Includes matching blu-stone™ waste cover
- Available in a range of blu-stone™ colors + finishes
- Designed to coordinate with series 600 51 collection vanity only (refer to pg 98 B)
- Recommend QTW-0121 push button waste; designed for use with blu-stone™ waste cover or SC015 universal push button waste (refer to pg 31 A)

1/2" apron thickness

**SA0600.01 - 02M / 03M / 04M / 06M / 07M / 09M\***  
**SA0600.01 - 02G / 03G / 04G / 06G / 07G / 09G\***

1 - 4" apron thickness

**SA0610.01-01M\***  
(advise height when ordering)



1/2" apron thickness

**SA0700.01-01M**  
**SA0700.01-01G\***

- 27 3/4" W x 20 1/4" D x 1/2" T / 705mm W x 515mm D x 12mm T
- blu-stone™ vanity top with integrated basin and integral slot overflow
- Basin: 18 3/4" W x 5" H x 12" D / 480mm W x 128mm H x 305mm D
- Knockouts may be drilled on-site for deck-mount faucet
- Includes matching blu-stone™ waste cover
- Available in a range of blu-stone™ colors + finishes
- Designed to coordinate with series 700 45° (refer to pg 21-22 B) or 51 collection vanities (refer to pg 102 B)
- Recommend QTW-0121 push button waste; designed for use with blu-stone™ waste cover or SC015 universal push button waste (refer to pg 31 A)

1/2" apron thickness

**SA0700.01 - 02M / 03M / 04M / 06M / 07M / 09M\***  
**SA0700.01 - 02G / 03G / 04G / 06G / 07G / 09G\***

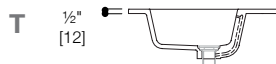
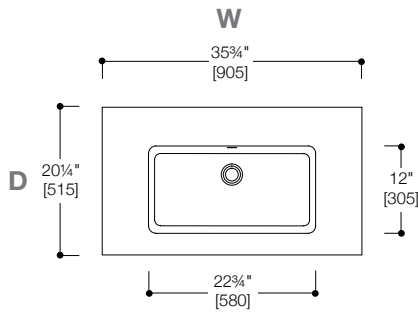
1 - 4" apron thickness

**SA0710.01-01M\***  
(advise height when ordering)

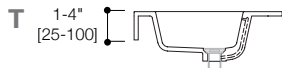
**\*Special Order Finishes\***







Special Order



1/2" apron thickness

**SA0900.01-01M**  
**SA0900.01-01G\***

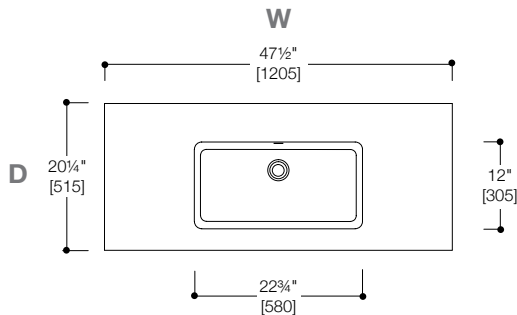
- 35 3/4" W x 20 1/4" D x 1/2" T / 905mm W x 515mm D x 12mm T
- blu-stone™ vanity top with integrated basin and integral slot overflow
- Basin: 18 3/4" W x 5" H x 12" D / 480mm W x 128mm H x 305mm D
- Knockouts may be drilled on-site for deck-mount faucet
- Includes matching blu-stone™ waste cover
- Available in a range of blu-stone™ colors + finishes
- Designed to coordinate with series 900 45° (refer to pg 25-26 B) or 51 collection vanities (refer to pg 106 B)
- Recommend QTW-0121 push button waste; designed for use with blu-stone™ waste cover or SC015 universal push button waste (refer to pg 31 A)

1/2" apron thickness

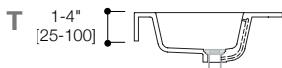
**SA0900.01 - 02M / 03M / 04M / 06M / 07M / 09M\***  
**SA0900.01 - 02G / 03G / 04G / 06G / 07G / 09G\***

1 - 4" apron thickness

**SA0910.01-01M\***  
(advise height when ordering)



Special Order



1/2" apron thickness

**SA1200.01-01M**  
**SA1200.01-01G\***

- 47 1/2" W x 20 1/4" D x 1/2" T / 1205mm W x 515mm D x 12mm T
- blu-stone™ vanity top with integrated basin and integral slot overflow
- Basin: 22 3/4" W x 5" H x 12" D / 580mm W x 128mm H x 305mm D
- Knockouts may be drilled on-site for deck-mount faucet
- Includes matching blu-stone™ waste cover
- Available in a range of blu-stone™ colors + finishes
- Designed to coordinate with series 1200 45° (refer to pg 29-30 B) or 51 collection vanities (refer to pg 110 B)
- Recommend QTW-0121 push button waste; designed for use with blu-stone™ waste cover or SC015 universal push button waste (refer to pg 31 A)

1/2" apron thickness

**SA1200.01 - 02M / 03M / 04M / 06M / 07M / 09M\***  
**SA1200.01 - 02G / 03G / 04G / 06G / 07G / 09G\***

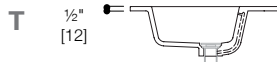
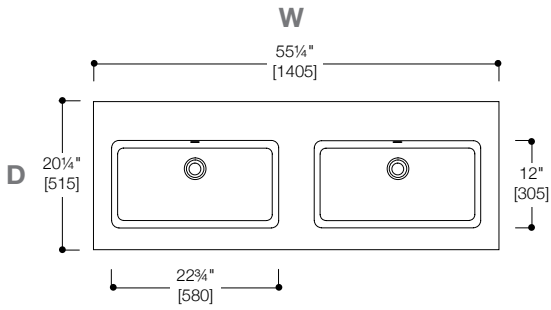
1 - 4" apron thickness

**SA1210.01-01M\***  
(advise height when ordering)

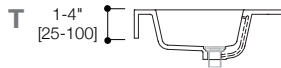
\*Special Order Finishes\*



\*Special Order finishes require a 16+ week lead time upon order confirmation (refer to pg 96 A)



Special Order



1/2" apron thickness

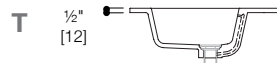
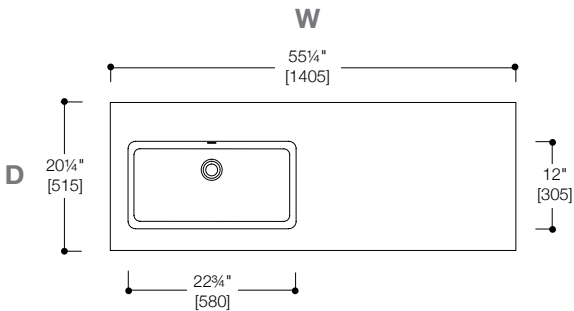
**SA1400.01-01M**  
**SA1400.01-01G\***

- 55 1/4" W x 20 1/4" D x 1/2" T / 1405mm W x 515mm D x 12mm T
- blu-stone™ double vanity top with integrated basins and integral slot overflows
- Basins: 22 3/4" W x 5" H x 12" D / 580mm W x 128mm H x 305mm D
- Knockouts may be drilled on-site for deck-mount faucet
- Includes matching blu-stone™ waste covers
- Only available in White Matte or White Gloss finish
- Designed to coordinate with series 1400 45° (refer to pg 33-34 B) or 51 collection vanities (refer to pg 114 B)
- Recommend QTW-0121 push button waste; designed for use with blu-stone™ waste cover or SC015 universal push button waste (refer to pg 31 A)

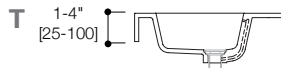
1 - 4" apron

**SA1410.01-01M\***

(advise height when ordering)



Special Order



1/2" apron thickness

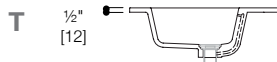
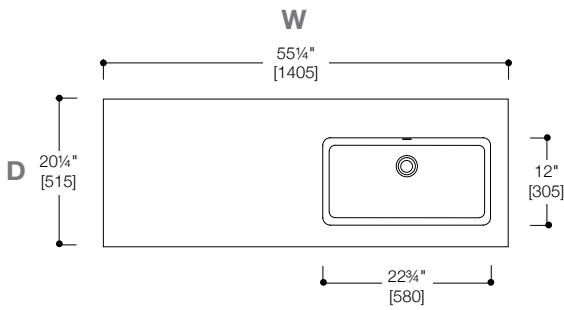
**SA1401.01-01M**  
**SA1401.01-01G\***

- 55 1/4" W x 20 1/4" D x 1/2" T / 1405mm W x 515mm D x 12mm T
- blu-stone™ vanity top with integrated left offset basin and integral slot overflow
- Basin: 22 3/4" W x 5" H x 12" D / 580mm W x 128mm H x 305mm D
- Knockouts may be drilled on-site for deck-mount faucet
- Includes matching blu-stone™ waste cover
- Only available in White Matte or White Gloss finish
- Designed to coordinate with series 1400 45° (refer to pg 33-34 B) or 51 collection vanities (refer to pg 114 B)
- Recommend QTW-0121 push button waste; designed for use with blu-stone™ waste cover or SC015 universal push button waste (refer to pg 31 A)

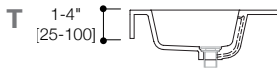
1 - 4" apron

**SA1411.01-01M\***

(advise height when ordering)



Special Order



1/2" apron thickness

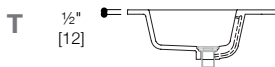
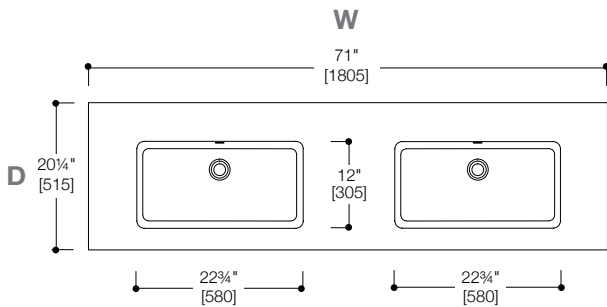
**SA1402.01-01M**  
**SA1402.01-01G\***

- 55 1/4" W x 20 1/4" D x 1/2" T / 1405mm W x 515mm D x 12mm T
- blu-stone™ vanity top with integrated right offset basin and integral slot overflow
- Basin: 22 3/4" W x 5" H x 12" D / 580mm W x 128mm H x 305mm D
- Knockouts may be drilled on-site for deck-mount faucet
- Includes matching blu-stone™ waste cover
- Only available in White Matte or White Gloss finish
- Designed to coordinate with series 1400 45° (refer to pg 33-34 B) or 51 collection vanities (refer to pg 114 B)
- Recommend QTW-0121 push button waste; designed for use with blu-stone™ waste cover or SC015 universal push button waste (refer to pg 31 A)

1 - 4" apron

**SA1412.01-01M\***

(advise height when ordering)



Special Order



1/2" apron thickness

**SA1800.01-01M**  
**SA1800.01-01G\***

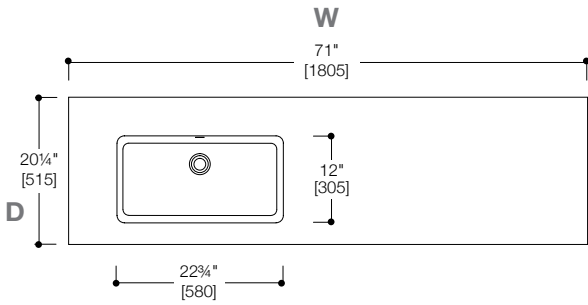
- 71" W x 20 1/4" D x 1/2" T / 1805mm W x 515mm D x 12mm T
- blu-stone™ double vanity top with integrated basins and integral slot overflows
- Basins: 22 3/4" W x 5" H x 12" D / 580mm W x 128mm H x 305mm D
- Knockouts may be drilled on-site for deck-mount faucet
- Includes matching blu-stone™ waste covers
- Only available in White Matte or White Gloss finish
- Designed to coordinate with series 1800 45° (refer to pg 37-38 B) or 51 collection vanities (refer to pg 118 B)
- Recommend QTW-0121 push button waste; designed for use with blu-stone™ waste cover or SC015 universal push button waste (refer to pg 31 A)

1 - 4" apron

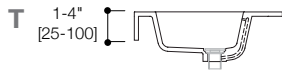
**SA1810.01-01M\***

(advise height when ordering)

\*Special Order finishes require a 16+ week lead time upon order confirmation (refer to pg 96 A)



Special Order



1/2" apron thickness

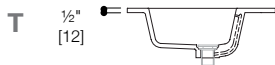
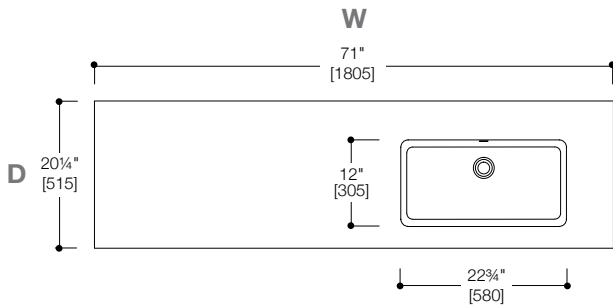
**SA1801.01-01M**  
**SA1801.01-01G\***

- 71" W x 20 1/4" D x 1/2" T / 1805mm W x 515mm D x 12mm T
- blu-stone™ vanity top with integrated left offset basin and integral slot overflow
- Basin: 22 3/4" W x 5" H x 12" D / 580mm W x 128mm H x 305mm D
- Knockouts may be drilled on-site for deck-mount faucet
- Includes matching blu-stone™ waste cover
- Only available in White Matte or White Gloss finish
- Designed to coordinate with series 1800 45° (refer to pg 40-41 B) or 51 collection vanities (refer to pg 118 B)
- Recommend QTW-0121 push button waste; designed for use with blu-stone™ waste cover or SC015 universal push button waste (refer to pg 31 A)

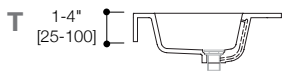
1 - 4" apron

**SA1811.01-01M\***

(advise height when ordering)



Special Order



1/2" apron thickness

**SA1802.01-01M**  
**SA1802.01-01G\***

- 71" W x 20 1/4" D x 1/2" T / 1805mm W x 515mm D x 12mm T
- blu-stone™ vanity top with integrated right offset basin and integral slot overflow
- Basins: 22 3/4" W x 5" H x 12" D / 580mm W x 128mm H x 305mm D
- Knockouts may be drilled on-site for deck-mount faucet
- Includes matching blu-stone™ waste covers
- Only available in White Matte or White Gloss finish
- Designed to coordinate with series 1800 45° (refer to pg 40-41 B) or 51 collection vanities (refer to pg 118 B)
- Recommend QTW-0121 push button waste; designed for use with blu-stone™ waste cover or SC015 universal push button waste (refer to pg 31 A)

1 - 4" apron

**SA1812.01-01M\***

(advise height when ordering)

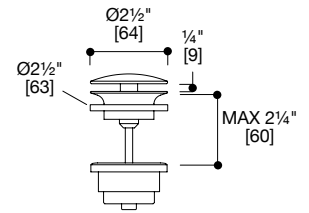
**SC015**

[QTW-0150]

- Universal push button waste,
- Suitable for both overflow and no overflow applications
- Shrouded threads + tailpiece included with waste
- Stainless steel AISI316L

finish

- AS
- ON\*
- OC\*
- OR\*

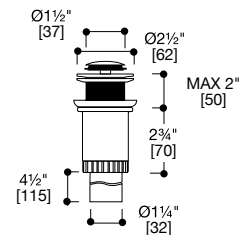


**QTW-0120**

- Push button waste without overflow
- Shrouded threads + tailpiece included with waste
- Stainless steel AISI316L
- Designed for use with blu-stone™ waste cover

finish

- AS

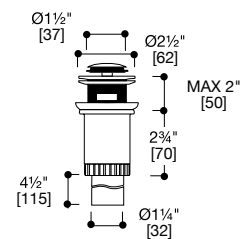


**QTW-0121**

- Push button waste with overflow
- Shrouded threads + tailpiece included with waste
- Stainless steel AISI316L
- Designed for use with blu-stone™ waste cover

finish

- AS

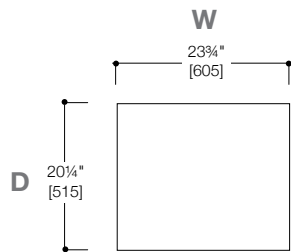






blu-stone™ vessel basin matrix SA0305N37.01-01M  
blu-stone™ countertop SAC1200.01-01M  
source series deck faucet 1202-OR

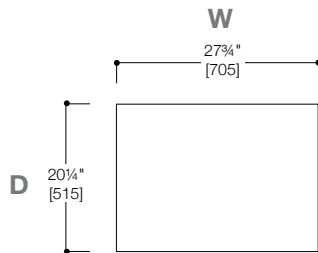




1/2" thickness

**SAC0600.01-01M\***

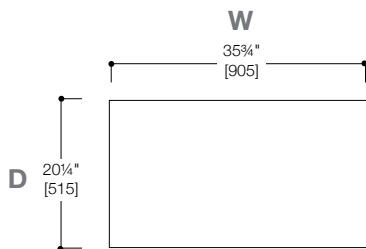
- 23 3/4" W x 20 1/4" D x 1/2" T / 605mm W x 515mm D x 12mm T
- blu-stone™ vanity countertop
- May be drilled on-site for deck-mount faucet installation
- Only available in White Matte finish
- Designed to coordinate with series 600 51 collection vanity only (refer to pg 98 B)



1/2" thickness

**SAC0700.01-01M\***

- 27 3/4" W x 20 1/4" D x 1/2" T / 705mm W x 515mm D x 12mm T
- blu-stone™ vanity countertop
- May be drilled on-site for deck-mount faucet installation
- Only available in White Matte finish
- Designed to coordinate with series 700 45° (refer to pg 21-22 B) or 51 collection vanities (refer to pg 102 B)

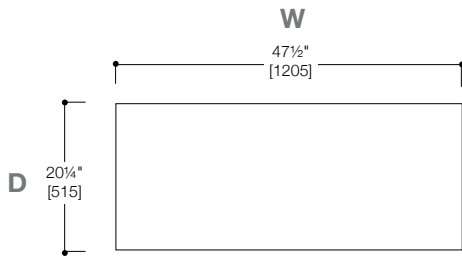


1/2" thickness

**SAC0900.01-01M\***

- 35 3/4" W x 20 1/4" D x 1/2" T / 905mm W x 515mm D x 12mm T
- blu-stone™ vanity countertop
- May be drilled on-site for deck-mount faucet installation
- Only available in White Matte finish
- Designed to coordinate with series 900 45° (refer to pg 25-26 B) or 51 collection vanities (refer to pg 106 B)

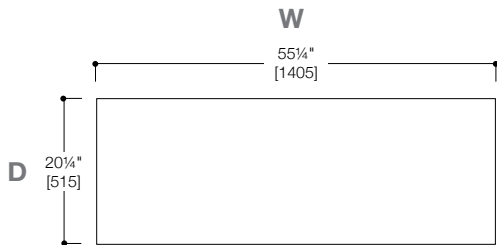




1/2" thickness

**SAC1200.01-01M\***

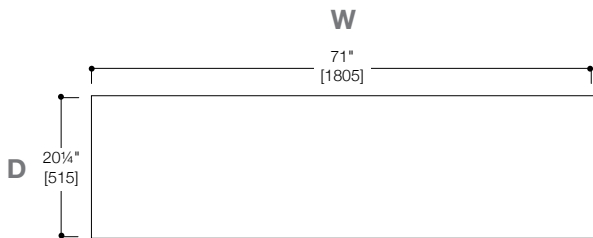
- 47 1/2" W x 20 1/4" D x 1/2" T / 1205mm W x 515mm D x 12mm T
- blu-stone™ vanity countertop
- May be drilled on-site for deck-mount faucet installation
- Only available in White Matte finish
- Designed to coordinate with series 1200 45° (refer to pg 29-30 B) or 51 collection vanities (refer to pg 110 B)



1/2" thickness

**SAC1400.01-01M\***

- 55 1/4" W x 20 1/4" D x 1/2" T / 1405mm W x 515mm D x 12mm T
- blu-stone™ vanity countertop
- May be drilled on-site for deck-mount faucet installation
- Only available in White Matte finish
- Designed to coordinate with series 1400 45° (refer to pg 33-34 B) or 51 collection vanities (refer to pg 114 B)

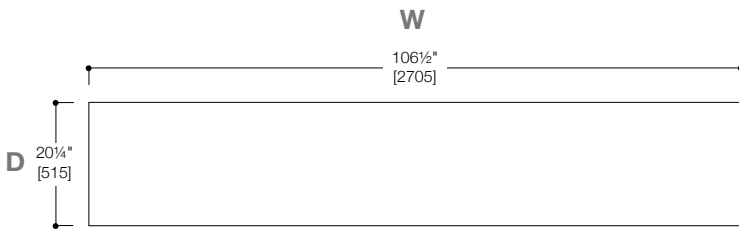


1/2" thickness

**SAC1800.01-01M\***

- 71" W x 20 1/4" D x 1/2" T / 1805mm W x 515mm D x 12mm T
- blu-stone™ vanity countertop
- May be drilled on-site for deck-mount faucet installation
- Only available in White Matte finish
- Designed to coordinate with series 1800 45° (refer to pg 37-38 B) or 51 collection vanities (refer to pg 118 B)

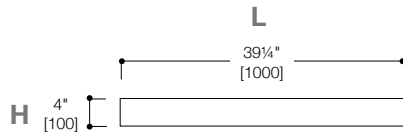
\*Special Order finishes require a 16+ week lead time upon order confirmation (refer to pg 96 A)



½" thickness

**SAC2700.01-01M\***

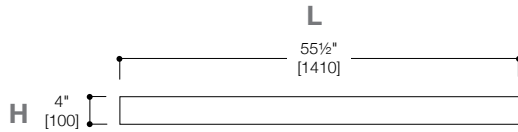
- 106½" W x 20¼" D x ½" T / 2705mm W x 515mm D x 12mm T
- blu-stone™ vanity countertop
- May be drilled on-site for deck-mount faucet installation
- Can be cut to fit on-site
- Only available in White Matte finish
- Coordinate with custom-built vanities or with multiple 45° or 51 collection vanity combinations, including:
  - 3x series 900 vanities,
  - 2x series 1200 vanities
  - 1x series 1400 vanity + 1x series 900 vanity
  - 1x series 1800 vanity + 1x series 900 vanity
  - 1x series 1800 vanity, allowing for additional counter space (refer to pgs 21-38 B & pgs 106-118 B)



1/2" thickness

**SABS1000.01-01M\***

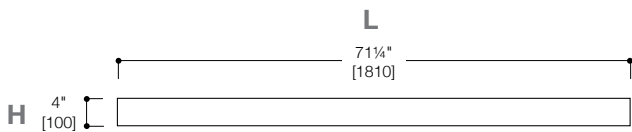
- 39 1/4" W x 4" H x 1/2" D / 1000mm W x 100mm H x 12mm D
- Seamless, blu·stone™ vanity backsplash
- Can be cut to fit on-site
- Only available in White Matte finish
- Coordinate with 45° or 51 collection vanities including: series 600 / 700 / 900 (refer to pgs 21-26 B & pgs 98-106 B)



1/2" thickness

**SABS1400.01-01M\***

- 55 1/2" W x 4" H x 1/2" D / 1410mm W x 100mm H x 12mm D
- Seamless, blu·stone™ vanity backsplash
- Can be cut to fit on-site
- Only available in White Matte finish
- Coordinate with 45° or 51 collection vanities including: series 1200 (to be cut on-site) / 1400 (refer to pgs 29-34 B & 110-114 B)



1/2" thickness

**SABS1800.01-01M\***

- 71 1/4" W x 4" H x 1/2" D / 1810mm W x 100mm H x 12mm D
- Seamless, blu·stone™ vanity backsplash
- Can be cut to fit on-site
- Only available in White Matte finish
- Coordinate with 45° or 51 collection vanities including: series 1800 (refer to pg 37-38 B & 118 B)





# blu·stone™ bathtubs

freestanding  
alcove

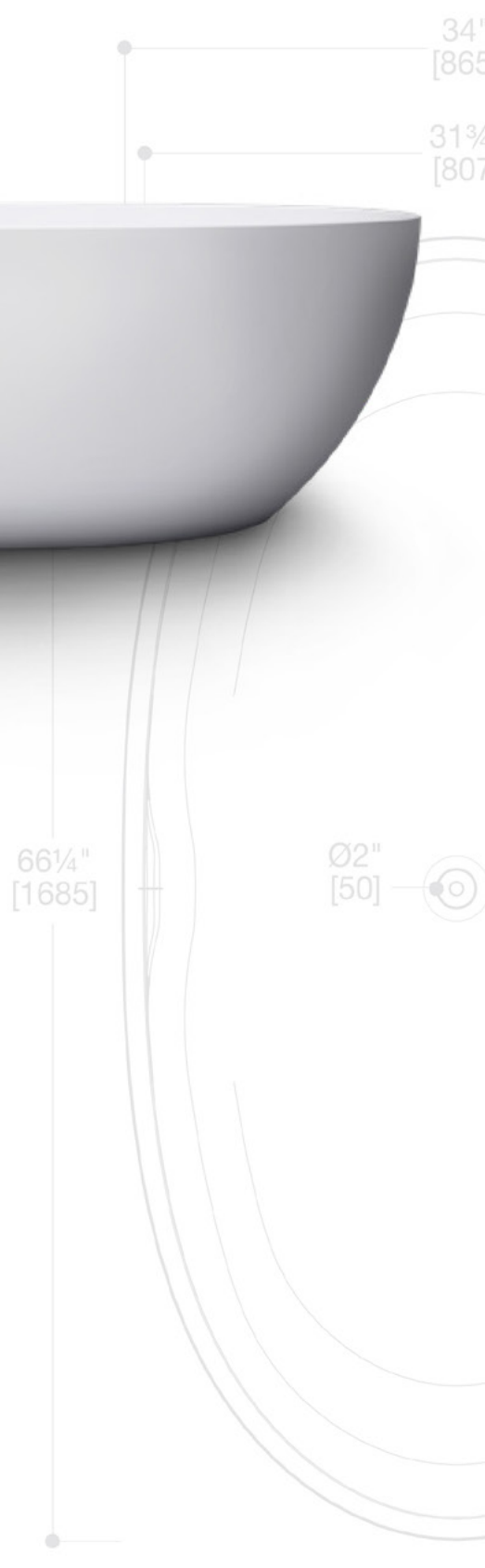


blu·stone™ bathtub azure·1 BT0304N17.01-01M  
stereo series wall mixer handles 1663-ON + 1663V-ON  
handshower 1366-ON



**blu-stone™ bathtub** azure-1 BT0304N17.01-01M  
**source series deck faucet** 1201-AS  
**blu-stone™ vanity top** SA0900.01-01M  
**51 vanity + mirror** F51V1-0900-K16 + F51M2-0900







blu-stone™ bathtub halo·2 BT0408.02-04G  
source series floor tubfiller with handshower 1262-ON





# features + benefits

Luminous and highly tactile, Blu Bathworks offers durable and versatile blu-stone™ bathtubs for the modern and transitional bathroom environment. Available in freestanding and alcove applications with a wide range of size and style for maximum design flexibility and optimum bathing experience.



## Durable

Crafted from 80% quartzite, blu-stone™ is an exceptionally durable material, which looks and feels like natural stone. It is high-pressure injection molded, anti-microbial and non-porous. Low maintenance and repairable, blu-stone™ products are stain + scratch resistant.



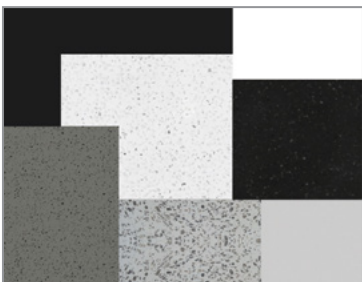
## One-Piece Design

Beautiful one-piece blu-stone™ bathtubs offer a clean and modern design aesthetic. blu-stone™ one-piece tubs are non-porous, stain and impact resistant making them hygienic & durable for daily uses. Also easily repairable, blu-stone™ bathtubs are perfect for any household.



## Design Flexibility

The blu-stone™ bathtub collection provides the flexibility to coordinate materials across the bathroom, with bathtub options to suit every design requirement. Choose from freestanding to alcove bathtubs, condo-proportioned to deep-soaker tubs. blu-stone™ is the ideal material for creating custom design solutions to support project specifications.



## Colors + Finishes

A selection of blu-stone™ bathtubs are available in a range of modern stone-like colors including quartz (white), marble (gray), slate (black) and more. Homogeneous in nature, the color is consistent throughout, resulting in a finish that will last a lifetime.

All blu-stone™ color products in gloss finish are defined as a "live finish". This is due to the gloss finish being several layers of wax that have been applied and buffed onto the products natural matte finish. The high gloss finish will fade as a result of usage and typically limited to the bathing well of the tub where the usage occurs. Wax refinishing can occur at anytime and is detailed in the installation and maintenance guide for blu-stone™ products.



blu-stone™ bathtub azure-3 BT0305N15-01M



# colors + finishes



blu-stone™ bathtub coco·2 BT0402.02-01M

## Material:

### blu-stone™

#### Solid Surface Material:

80% quartzite + 20% bio-resin,  
injection molded

### finishes

**Matte:** Visually luminous and highly tactile, matte finish is soft and almost warm to the touch and evokes a minimalist architectural quality

**Gloss:** High gloss finish is available for select blu-stone™ pieces, which adds a modern touch and enhances design coordination

---

## How to order blu-stone™ bathtubs:

### Bathtub SKU + blu-stone™ color/finish code

eg. azure·5 freestanding bathtub in Marble Matte (09M) finish = **BT0308-09M**

# blu·stone™ bathtubs

Please refer to blu·stone™ sample chips for true finish and color.

## stocked

white



matte - 01M

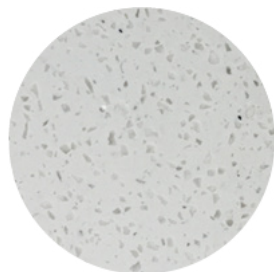
## special order\*

white



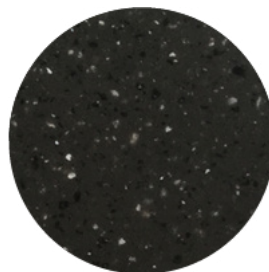
gloss - 01G

quartz



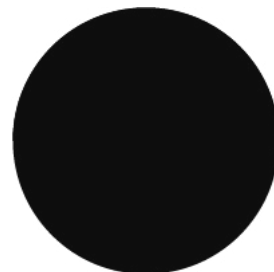
matte - 02M  
gloss - 02G

slate



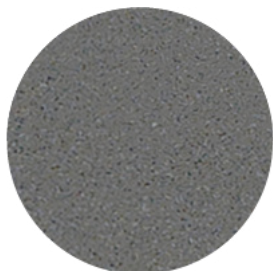
matte - 03M  
gloss - 03G

black - 04



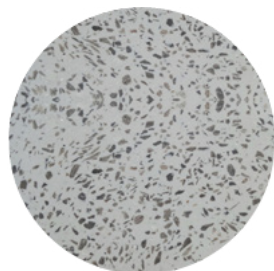
matte - 04M  
gloss - 04G

concrete



matte - 06M  
gloss - 06G

granite



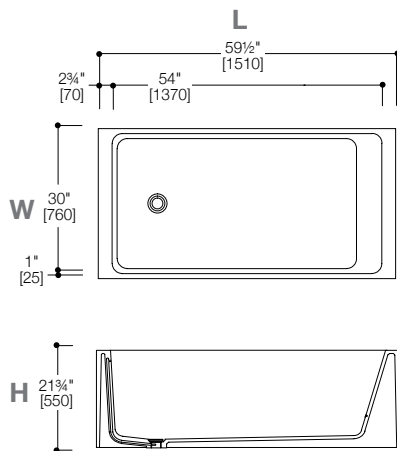
matte - 07M  
gloss - 07G

marble



matte - 09M  
gloss - 09G

\*Special Order finishes require a 16+ week lead time upon order confirmation (refer to pg 96 A)

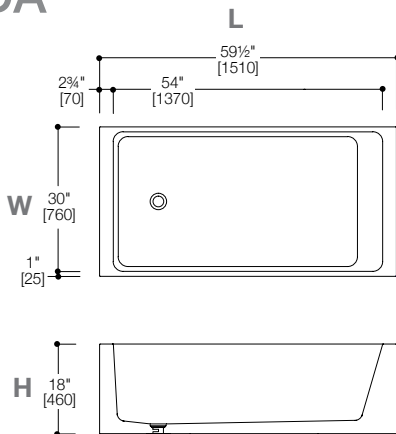


metrix·1

**BT0102.01-01M**  
**BT0102.01-01G**

- 59 1/2" L x 30" W x 21 3/4" H / 1510mm L x 760mm W x 550mm H
- Seamless, one-piece blu-stone™ bathtub
- Capacity: 98G / 370L
- End drain for versatile left/right drain installation
- Includes integral slot overflow & matching blu-stone™ waste cover
- Only available in White Matte or White Gloss finish
- Alcove installation requires separate tile flange, TF.BTSB (refer to pg 56 A)
- *Limited stock item*

ADA

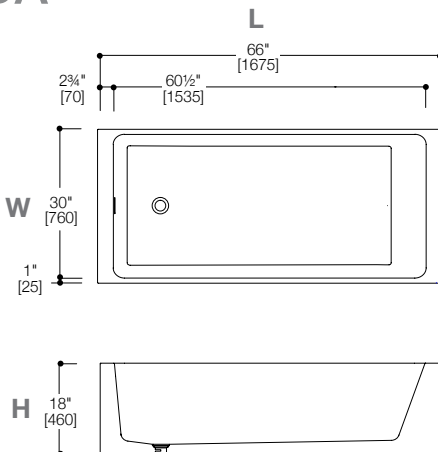


metrix·2

**BT0104.01-01M**  
**BT0104.01-01G\***

- 59 1/2" L x 30" W x 18" H / 1510mm L x 760mm W x 460mm H
- Seamless, one-piece blu-stone™ bathtub
- Capacity: 82G / 310L
- End drain for versatile left/right drain installation
- Includes integral slot overflow & matching blu-stone™ waste cover
- Only available in White Matte or White Gloss finish
- Alcove installation requires separate tile flange, TF.BTSB (refer to pg 56 A)
- *Limited stock item*

ADA



metrix·3

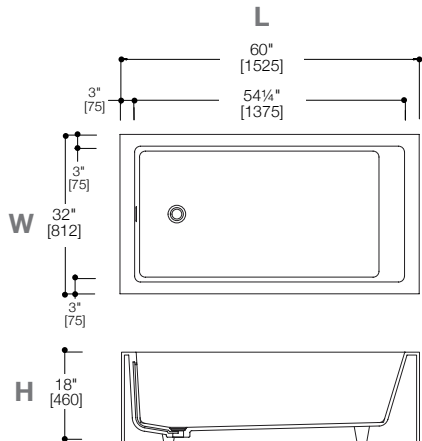
**BT0105.01-01M**  
**BT0105.01-01G\***

- 66" L x 30" W x 18" H / 1675mm L x 760mm W x 460mm H
- Seamless, one-piece blu-stone™ bathtub
- Capacity: 95G / 360L
- End drain for versatile left/right drain installation
- Includes integral slot overflow & matching blu-stone™ waste cover
- Available in a range of blu-stone™ colors + finishes
- Alcove installation requires separate tile flange, TF.BTSB (refer to pg 56 A)

**BT0105.01 - 02M / 03M / 04M / 06M / 07M / 09M\***  
**BT0105.01 - 02G / 03G / 04G / 06G / 07G / 09G\***

\*Special Order Finishes\*





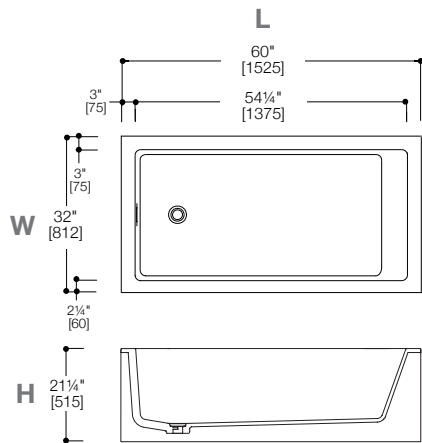
metrix-4

**BT0110-01M**  
**BT0110-01G\***

- 60" L x 32" W x 18" H / 1525mm L x 812mm W x 460mm H
- Alcove, skirted blu-stone™ bathtub, designed for a three-wall recess
- Capacity: 81G / 306L
- Left or right hand drain installation
- Includes integral slot overflow & matching blu-stone™ waste cover
- Available in a range of blu-stone™ colors + finishes
- Alcove installation requires separate tile flange, TF.BTSB (refer to pg 56 A)

BT0110 - 02M / 03M / 04M / 06M / 07M / 09M\*

BT0110 - 02G / 03G / 04G / 06G / 07G / 09G\*



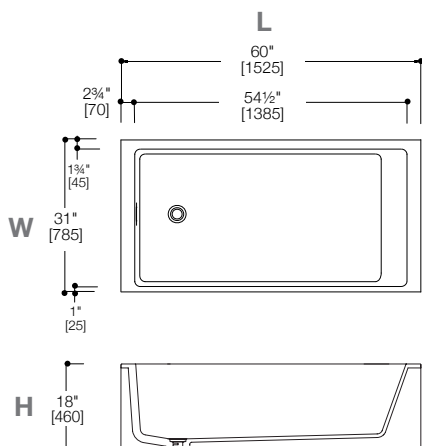
metrix-4

**BT0110L-01M**  
**BT0110L-01G**

**right-hand drain**  
**BT0110R-01M**  
**BT0110R-01G**

- 60" L x 32" W x 21¼" H / 1525mm L x 812mm W x 515mm H
- Alcove, skirted blu-stone™ bathtub, designed for a three-wall recess
- Capacity: 81G / 306L
- Left or right hand drain installation
- Includes integral slot overflow & matching blu-stone™ waste cover
- Only available in White Matte or White Gloss finish
- Alcove installation requires separate tile flange, TF.BTSB (refer to pg 56 A)
- *Limited stock item*

**ADA**



metrix-5

**BT0114L-01M**  
**BT0114L-01G**

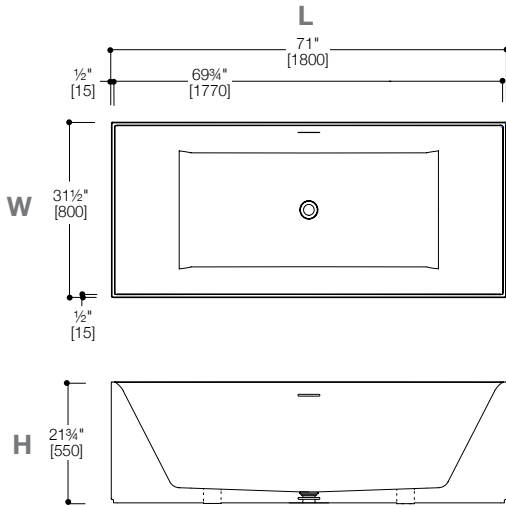
**right-hand drain**  
**BT0114R-01M**  
**BT0114R-01G**

- 60" L x 31" W x 18" H / 1525mm L x 785mm W x 460mm H
- Alcove, skirted blu-stone™ bathtub, designed for a three-wall recess
- Capacity: 81G / 306L
- Left or right hand drain installation
- Includes integral slot overflow & matching blu-stone™ waste cover
- Only available in White Matte or White Gloss finish
- Alcove installation requires separate tile flange, TF.BTSB (refer to pg 56 A)
- *Limited stock item*

\*Special Order Finishes\*



\*Special Order finishes require a 16+ week lead time upon order confirmation (refer to pg 96 A)



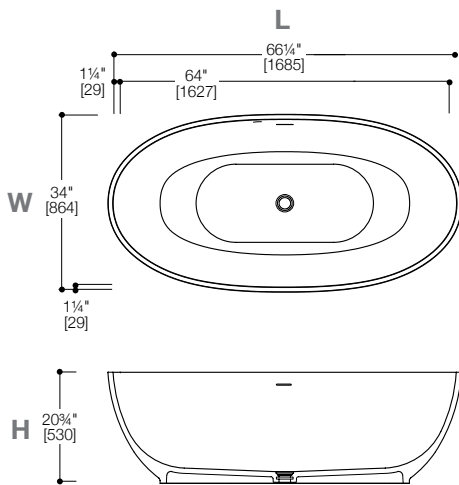
metrix-6

**BT0203.01-01M**  
**BT0203.01-01G\***

- 71" L x 31 1/2" W x 21 3/4" H / 1800mm L x 800mm W x 550mm H
- Seamless, one-piece blu-stone™ bathtub
- Capacity: 107G / 405L
- Center drain
- Includes integral slot overflow & matching blu-stone™ waste cover
- Available in a range of blu-stone™ colors + finishes
- Alcove installation requires separate tile flange, TF.BTSB (refer to pg 56 A)

BT0203.01 - 02M / 03M / 04M / 06M / 07M / 09M\*

BT0203.01 - 02G / 03G / 04G / 06G / 07G / 09G\*



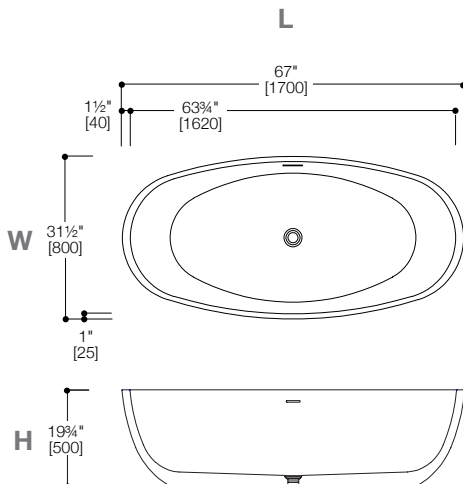
azure-1

**BT0304N17.01-01M**  
**BT0304N17.01-01G\***

- 66 1/4" L x 34" W x 20 3/4" H / 1685mm L x 864mm W x 530mm H
- Seamless, one-piece blu-stone™ bathtub
- Capacity: 84G / 319L
- Center drain
- Includes integral slot overflow & matching blu-stone™ waste cover
- Available in a range of blu-stone™ colors + finishes

BT0304N17.01 - 02M / 03M / 04M / 06M / 07M / 09M\*

BT0304N17.01 - 02G / 03G / 04G / 06G / 07G / 09G\*



azure-2

**BT0305.02-01M**  
**BT0305.02-01G\***

- 67" L x 31 1/2" W x 19 3/4" H / 1700mm L x 800mm W x 500mm H
- Seamless, one-piece blu-stone™ bathtub
- Capacity: 82G / 310L
- Center drain
- Includes integral slot overflow & matching blu-stone™ waste cover
- Available in a range of blu-stone™ colors + finishes

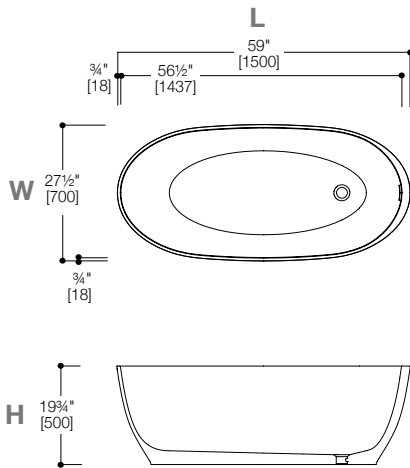
BT0305.02 - 02M / 03M / 04M / 06M / 07M / 09M\*

BT0305.02 - 02G / 03G / 04G / 06G / 07G / 09G\*

\*Special Order Finishes\*





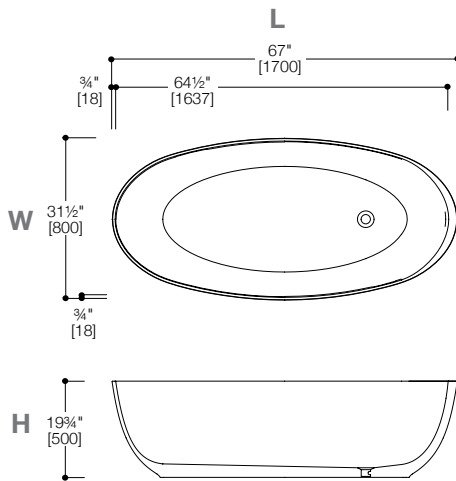


azure-3

**BT0305N15.01-01M**  
**BT0305N15.01-01G\***

- 59" L x 27½" W x 19¾" H / 1500mm L x 700mm W x 500mm H
- Seamless, one-piece blu-stone™ bathtub
- Capacity: 65G / 247L
- End drain for versatile left/right drain installation
- Includes integral slot overflow & matching blu-stone™ waste cover
- Available in a range of blu-stone™ colors + finishes

BT0305N15.01 - 02M / 03M / 04M / 06M / 07M / 09M\*  
BT0305N15.01 - 02G / 03G / 04G / 06G / 07G / 09G\*

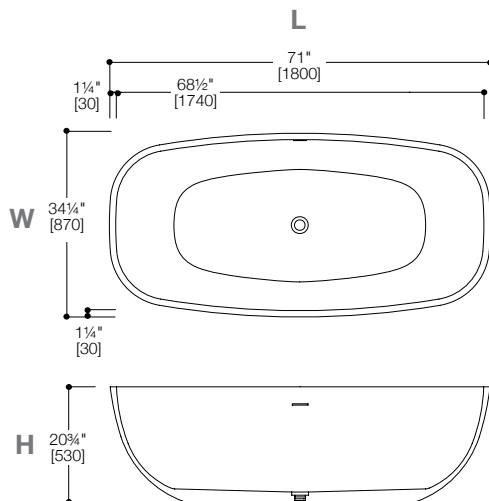


azure-4

**BT0305N17.01-01M**  
**BT0305N17.01-01G\***

- 67" L x 31½" W x 19¾" H / 1700mm L x 864mm W x 500mm H
- Seamless, one-piece blu-stone™ bathtub
- Capacity: 83G / 314L
- End drain for versatile left/right drain installation
- Includes integral slot overflow & matching blu-stone™ waste cover
- Available in a range of blu-stone™ colors + finishes

BT0305N17.01 - 02M / 03M / 04M / 06M / 07M / 09M\*  
BT0305N17.01 - 02G / 03G / 04G / 06G / 07G / 09G\*



azure-5

**BT0308-01M**  
**BT0308-01G\***

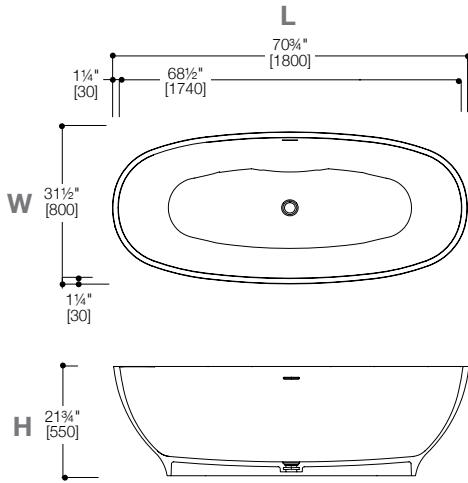
- 71" L x 34¼" W x 20¾" H / 1800mm L x 870mm W x 530mm H
- Seamless, one-piece blu-stone™ bathtub
- Capacity: 100G / 380L
- Center drain
- Includes integral slot overflow & matching blu-stone™ waste cover
- Available in a range of blu-stone™ colors + finishes

BT0308 - 02M / 03M / 04M / 06M / 07M / 09M\*  
BT0308 - 02G / 03G / 04G / 06G / 07G / 09G\*

\*Special Order Finishes\*



\*Special Order finishes require a 16+ week lead time upon order confirmation (refer to pg 96 A)



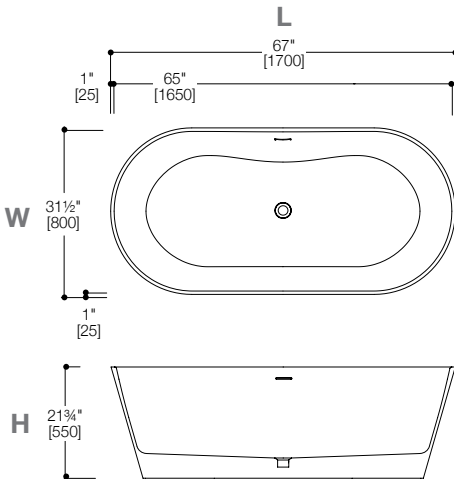
fini-1

**BT0402N18-01M**  
**BT0402N18-01G\***

- 70 3/4" L x 31 1/2" W x 21 3/4" H / 1800mm L x 800mm W x 550mm H
- Seamless, one-piece blu-stone™ bathtub
- Capacity: 86G / 325L
- Center drain
- Includes integral slot overflow & matching blu-stone™ waste cover
- Available in a range of blu-stone™ colors + finishes

BT0402N18 - 02M / 03M / 04M / 06M / 07M / 09M\*

BT0402N18 - 02G / 03G / 04G / 06G / 07G / 09G\*



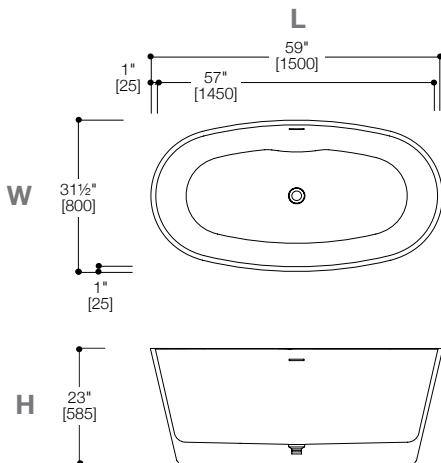
coco-1

**BT0304.01-01M**  
**BT0304.01-01G\***

- 67" L x 31 1/2" W x 21 3/4" H / 1700mm L x 750mm W x 550mm H
- Seamless, one-piece blu-stone™ bathtub
- Capacity: 91G / 345L
- Center drain
- Includes integral slot overflow & matching blu-stone™ waste cover
- Available in a range of blu-stone™ colors + finishes

BT0304.01 - 02M / 03M / 04M / 06M / 07M / 09M\*

BT0304.01 - 02G / 03G / 04G / 06G / 07G / 09G\*



coco-2

**BT0402.02-01M**  
**BT0402.02-01G\***

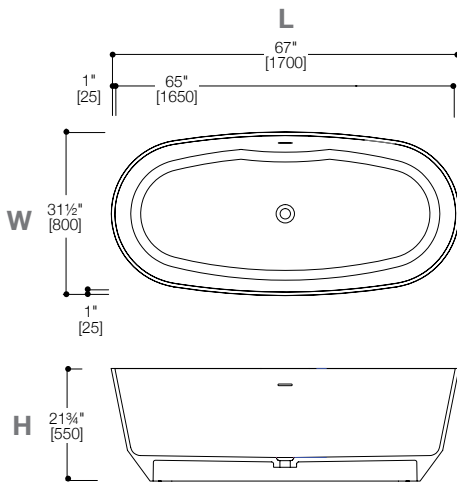
- 59" L x 31 1/2" W x 23 1/2" H / 1500mm L x 800mm W x 585mm H
- Seamless, one-piece blu-stone™ bathtub
- Capacity: 74G / 280L
- Center drain
- Includes integral slot overflow & matching blu-stone™ waste cover
- Available in a range of blu-stone™ colors + finishes

BT0402.02 - 02M / 03M / 04M / 06M / 07M / 09M\*

BT0402.02 - 02G / 03G / 04G / 06G / 07G / 09G\*

\*Special Order Finishes\*





**NEW**

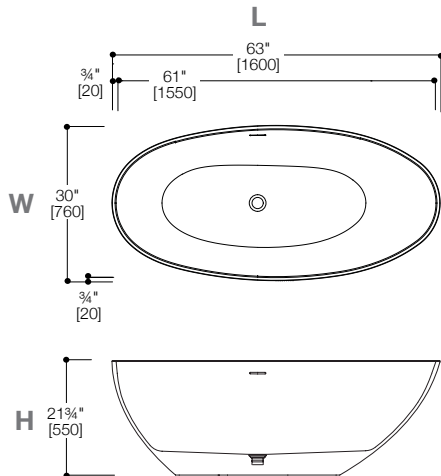
coco-3

**BT0310-01M\***  
**BT0310-01G\***

- 67" L x 31½" W x 21½" H / 1700mm L x 800mm W x 550mm H
- Seamless, one-piece blu-stone™ bathtub
- Capacity: 82G / 310L
- Center drain
- Includes integral slot overflow & matching blu-stone™ waste cover
- Available in a range of blu-stone™ colors + finishes

BT0310 - 02M / 03M / 04M / 06M / 07M / 09M\*

BT0310 - 02G / 03G / 04G / 06G / 07G / 09G\*



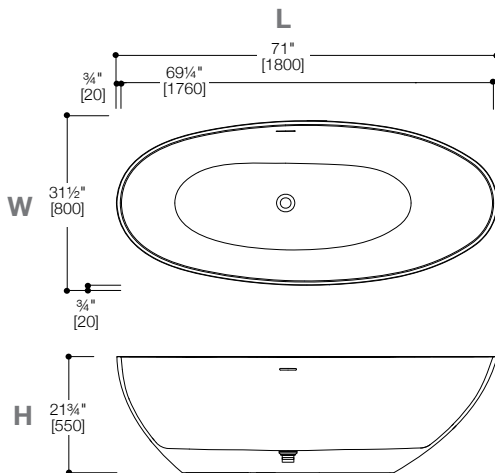
halo-1

**BT0406.01-01M**  
**BT0406.01-01G\***

- 63" L x 30" W x 21¾" H / 1600mm L x 760mm W x 550mm H
- Seamless, one-piece blu-stone™ bathtub
- Capacity 70G / 265L
- Center drain
- Includes integral slot overflow & matching blu-stone™ waste cover
- Available in a range of blu-stone™ colors + finishes

BT0406.01 - 02M / 03M / 04M / 06M / 07M / 09M\*

BT0406.01 - 02G / 03G / 04G / 06G / 07G / 09G\*



halo-2

**BT0408.02-01M**  
**BT0408.02-01G\***

- 71" L x 31½" W x 21¾" H / 1800mm L x 800mm W x 550mm H
- Seamless, one-piece blu-stone™ bathtub
- Capacity 87G / 330L
- Center drain
- Includes integral slot overflow & matching blu-stone™ waste cover
- Available in a range of blu-stone™ colors + finishes

BT0408.02 - 02M / 03M / 04M / 06M / 07M / 09M\*

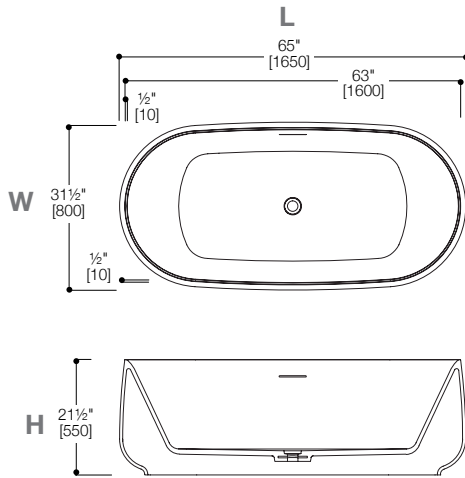
BT0408.02 - 02G / 03G / 04G / 06G / 07G / 09G\*

All New Items are Special Order for 2023

\*NEW items require a 6-8 week lead time upon order confirmation (refer to pg 96 A)

\*Special Order items require a 16+ week lead time upon order confirmation (refer to pg 96 A)





**NEW**

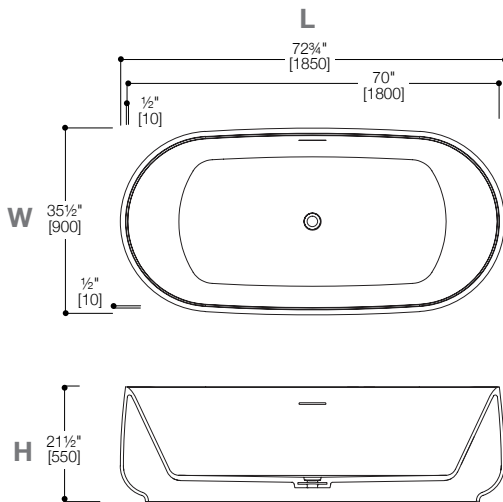
sereno-1

**BT0307N16-01M\***  
**BT0307N16-01G\***

- 65" L x 31½" W x 21½" H / 1650mm L x 800mm W x 550mm H
- Seamless, one-piece blu-stone™ bathtub
- Capacity: 69G / 262L
- Center drain
- Includes integral slot overflow & matching blu-stone™ waste cover
- Available in a range of blu-stone™ colors + finishes

BT0307N16 - 02M / 03M / 04M / 06M / 07M / 09M\*

BT0307N16 - 02G / 03G / 04G / 06G / 07G / 09G\*



**NEW**

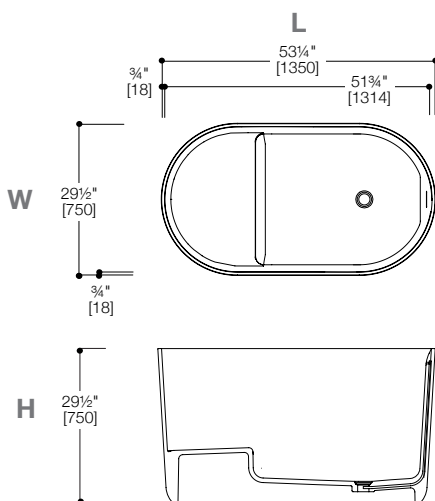
sereno-2

**BT0307N18-01M\***  
**BT0307N18-01G\***

- 72¾" L x 35½" W x 21½" H / 1850mm L x 900mm W x 550mm H
- Seamless, one-piece blu-stone™ bathtub
- Capacity: 78G / 296L
- Center drain
- Includes integral slot overflow & matching blu-stone™ waste cover
- Available in a range of blu-stone™ colors + finishes

BT0307N18 - 02M / 03M / 04M / 06M / 07M / 09M\*

BT0307N18 - 02G / 03G / 04G / 06G / 07G / 09G\*



**NEW**

ofuro-1

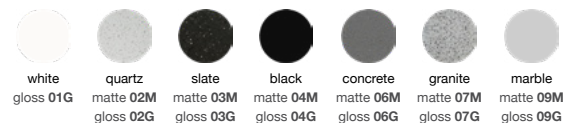
**BT0311-01M\***  
**BT0311-01G\***

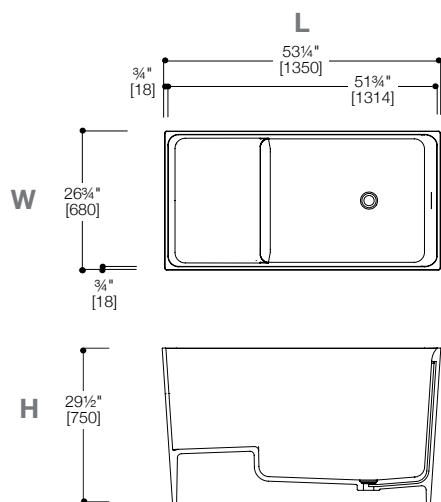
- 53¼" L x 29½" W x 29½" H / 1350mm L x 750mm W x 750mm H
- Seamless, one-piece blu-stone™ bathtub
- Capacity: 84G / 320L
- End drain for versatile left/right drain installation
- Includes integral slot overflow & matching blu-stone™ waste cover
- Available in a range of blu-stone™ colors + finishes

BT0311 - 02M / 03M / 04M / 06M / 07M / 09M\*

BT0311 - 02G / 03G / 04G / 06G / 07G / 09G\*

**\*Special Order Finishes\***





**NEW**

ofuro·2

**BT0312-01M\***

**BT0312-01G\***

- 53 1/4" L x 26 3/4" W x 29 1/2" H / 1350mm L x 680mm W x 750mm H
- Seamless, one-piece blu·stone™ bathub
- Capacity: 84G / 320L
- End drain for versatile left/right drain installation
- Includes integral slot overflow & matching blu·stone™ waste cover
- Available in a range of blu·stone™ colors + finishes
- Alcove installation requires separate tile flange, TF.BTSB (refer to pg 56 A)

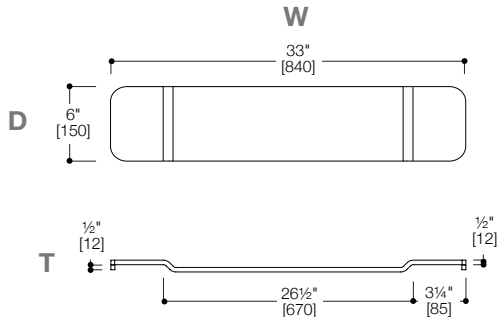
BT0312 - 02M / 03M / 04M / 06M / 07M / 09M\*

BT0312 - 02G / 03G / 04G / 06G / 07G / 09G\*

**\*Special Order Finishes\***



All New Items are Special Order for 2023  
 \*NEW items require a 6-8 week lead time upon order confirmation (refer to pg 96 A)

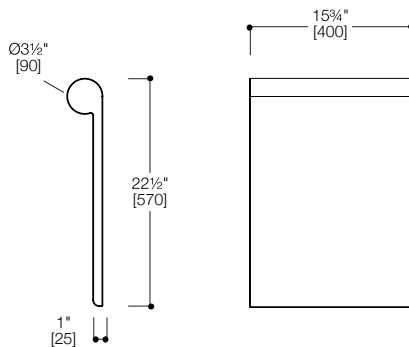


**BTDeck840-01M**  
**BTDeck840-01G\***

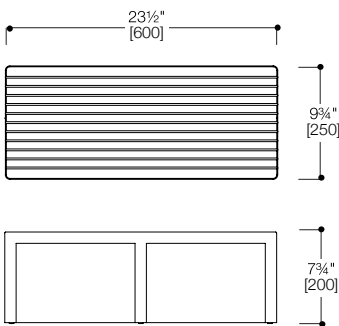
- 33" W x 6" D x 1/2" T / 840mm W x 150mm D x 12mm T
- Seamless blu-stone™ bathtub deck tray
- Only available in White Matte or White Gloss finish
- Coordinates with a range of blu-stone™ bathtubs

**NEW**

**BTRest6023\***



- 15 3/4" W x 3 1/2" D x 22 1/2" H / 400mm W x 88mm D x 570mm H
- Bathtub backrest accessory
- Only available in a matte grey color + finish

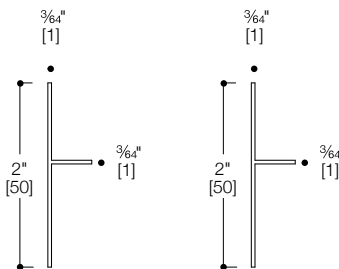


**NEW**

**BTStep1184-01M\***  
**BTStep1184-01G\***

- 23 1/2" W x 9 3/4" D x 7 3/4" H / 600mm L x 250mm D x 200mm H
- blu-stone™ step for deep soaking blu-stone™ bathtub
- Available in a range of blu-stone™ colors + finishes

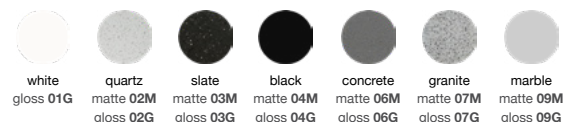
BTStep1184 - 02M / 03M / 04M / 06M / 07M / 09M\*  
BTStep1184 - 02G / 03G / 04G / 06G / 07G / 09G\*



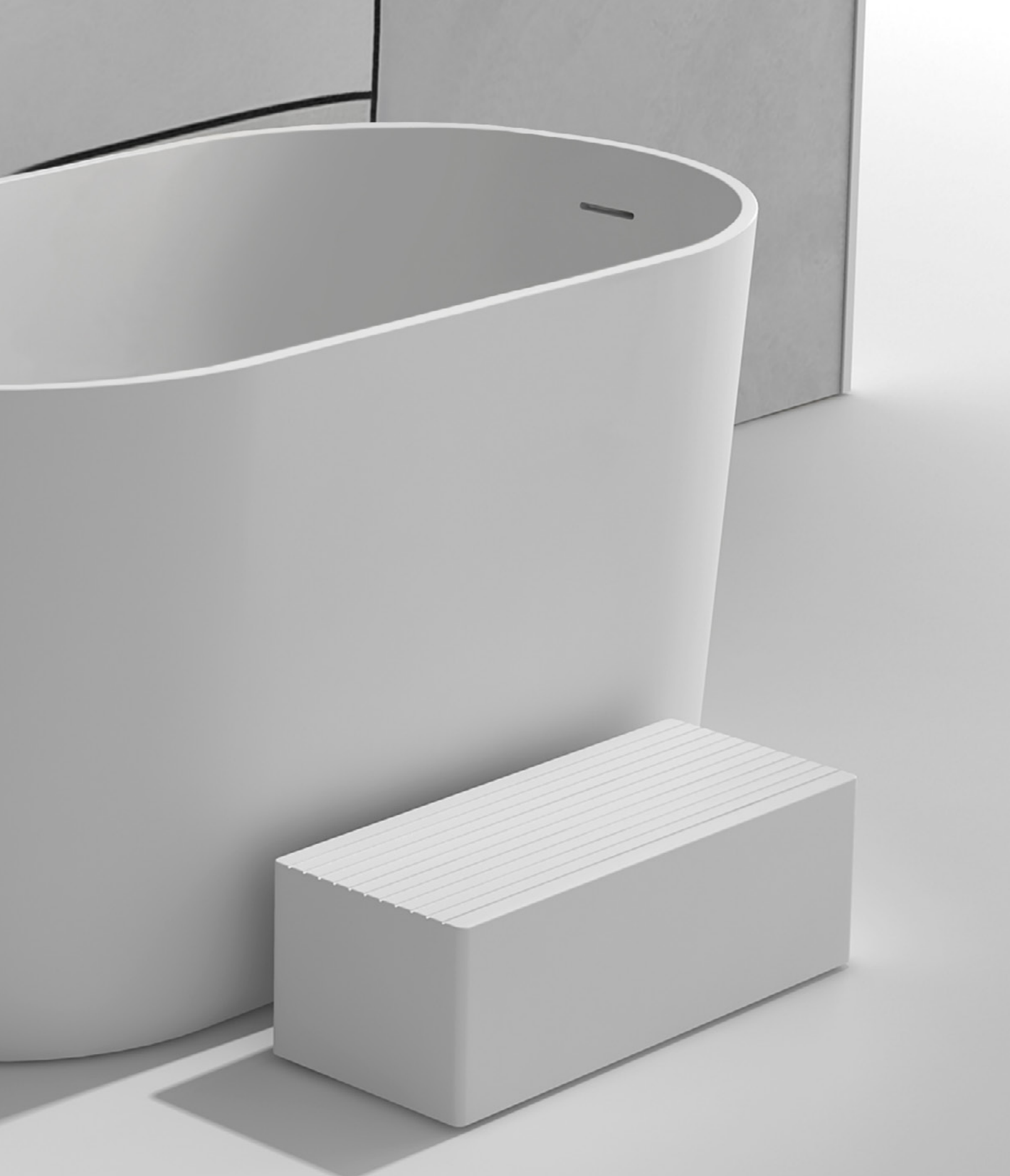
**TF.BTSB**

- Pair of 72" high density Polyethylene tile flanges
- Suitable for alcove bathtub and shower base installation

**\*Special Order Finishes\***







blu-stone™ bathtub step BTStep-1184-01M

blu-stone™ bathtub amanpuri-1 BT6100-01M with matte white shelving



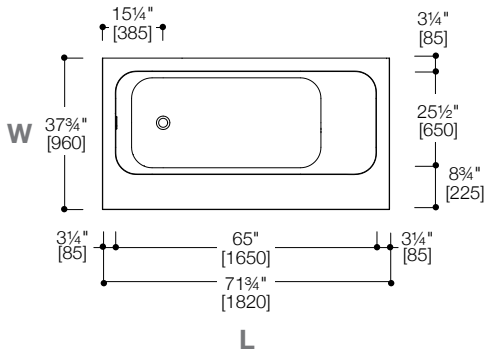
# amanpuri collection

bathtubs

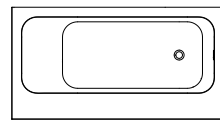


amanpuri-1

**BT6100-01M\***

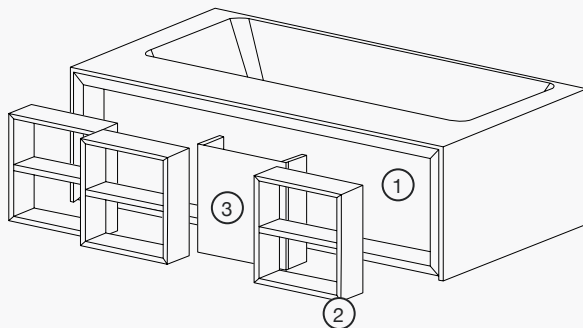


- 71 3/4" L x 37 3/4" W x 21 3/4" H / 1820mm L x 960mm W x 550mm H
- Seamless, one-piece blu-stone™ bathtub with integral slot overflow
- Capacity 85G / 320L
- Extended front deck area
- Left-hand drain installation
- Includes matching blu-stone™ waste cover
- Only available in White Matte finish (special order)
- Alcove installation requires separate tile flange, TF.BTSB (refer to pg 61 A)
- Single-sided modular shelving in White Matte (01M) lacquer finish



right-hand drain  
BT6100R-01M\*

**bathtub furniture (special order)**



① master shell  
BT6101-01M\*

② shelving unit  
BT6102-01M\*

deck  
faucet cover  
③ BT6105-01M\*

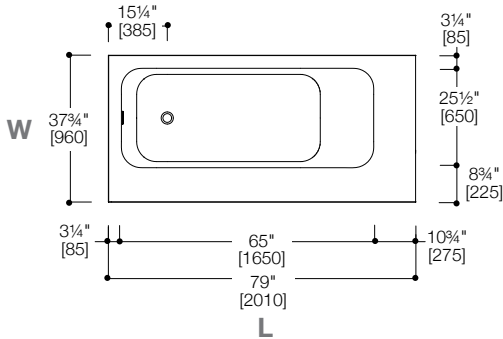
**How to order amanpuri-1 bathtubs:**

**Bathtub SKU + master shell SKU & color/finish code + shelving SKU & color/finish code**  
 eg. BT6100, master shell + 3x shelving units & 1x deck faucet cover White Matte (01M) finish  
 = **BT6100-01M, BT6101-01M + 3x BT6102-01M & 1x BT6105-01M**

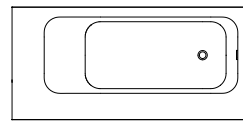
**Note:** In case of no deck faucet installation, replace 1x BT6105 with 1x BT6102

amanpuri·2

**BT6200-01M\***

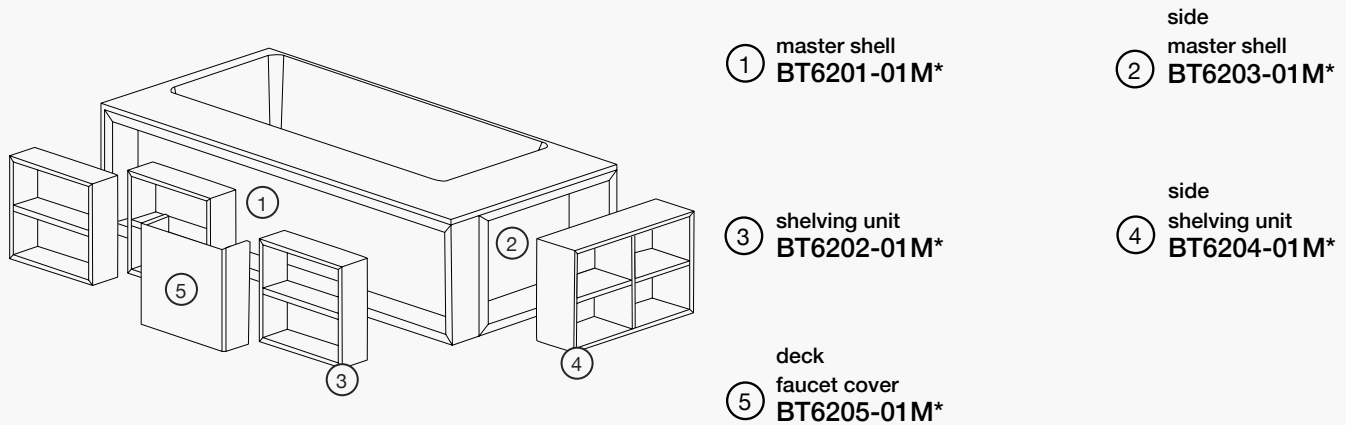


- 79" L x 37 3/4" W x 21 3/4" H / 2010mm L x 960mm W x 550mm H
- Seamless, one-piece blu·stone™ bathtub with integral slot overflow
- Capacity 85G / 320L
- Extended front deck area
- Left-hand drain installation
- Includes matching blu·stone™ waste cover
- Only available in White Matte finish (special order)
- Alcove installation requires separate tile flange, TF.BTSB (refer to pg 61 A)
- Double-sided modular shelving in White Matte (01M) lacquer finish



right-hand drain  
**BT6200R-01M\***

**bathtub furniture (special order)**



**How to order amanpuri·2 bathtubs:**

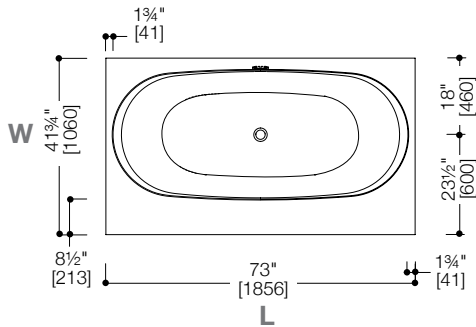
Bathtub SKU + master shell SKU & color/finish code + shelving SKU & color/finish code eg. BT6200, front & side master shell + 4x shelving units for front & 1x shelving unit for side in White Matte (01M) finish  
= **BT6200-01M, BT6201-01M & BT6203-K01M+ 4x BT6202-01M & 1x BT6204-01M**

**Note:** In case of no deck faucet installation, replace 1x BT6205 with 1x BT6202



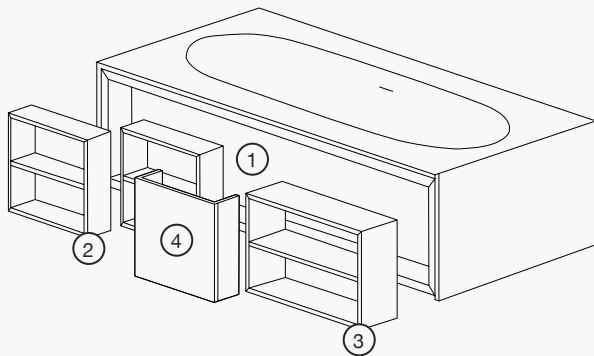
amanpuri-6

**BT6600.01-01M\***



- 73" L x 41 1/4" W x 20 1/2" H / 1856mm L x 1060mm W x 520mm H
- Seamless, one-piece blu-stone™ bathtub with integral slot overflow
- Capacity 77G / 290L
- Extended front deck area
- Center drain installation
- Includes matching blu-stone™ waste cover
- Only available in White Matte finish (special order)
- Alcove installation requires separate tile flange, TF.BTSB
- Single-sided modular shelving in White Matte (01M) lacquer finish

**bathtub furniture (special order)**



① master shell  
BT6601-01M\*

② shelving unit  
BT6202-01M\*

③ large shelving unit  
BT6602-01M\*

④ deck faucet cover  
BT6205-01M\*

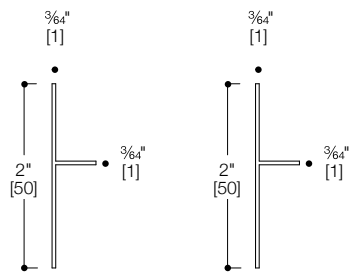
**How to order amanpuri-6 bathtubs:**

**Bathtub SKU + master shell SKU & color/finish code + shelving SKU & color/finish code**

eg. BT6600, master shell + 1x large shelving unit & 2x shelving units in White Matte (01M) finish

= **BT6600-01M, BT6601-01M + 1x BT6602-01M & 2x BT6202-01M**

**Note:** In case of deck faucet installation, replace 1x BT6202 with 1x BT6205



**TF.BTSB**

- Pair of 72" high density Polyethylene tile flanges
- Suitable for alcove bathtub and shower base installation

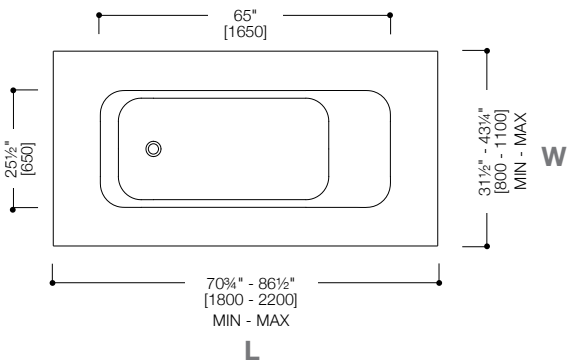
**blu-stone™ bathtub** Designer series BT7050-01M  
**source series deck mixer handle** 1252-AS  
**deck tubfiller spout** BC203-AS + QPT-0002





# designer series

bathtubs



**BT7000 series**

- Min 70¾" L x 31½" W – Max 86½" L x 43¼" W  
Min 1800mm L x 800mm W – Max 2200mm L x 1100mm W
- Seamless, one-piece blu-stone™ bathtub with rectilinear bathing well and integral slot overflow
- Capacity 85G / 322L
- Left-hand or right-hand drain available
- Includes matching blu-stone™ waste cover
- Only available in White Matte (01M) finish (special order)
- Alcove installation requires separate tile flange, TF.BTSB (refer to pg 61 A)

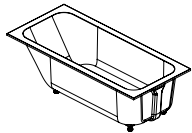
**series 7000 designer series**

Please contact Blu Bathworks® to place your order.

**Designer** series bathtubs are special order items. Orders require a 50% non-refundable deposit at time of order acceptance.

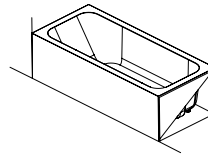
**BT7000A-01M\***

- Base unit
- No sides



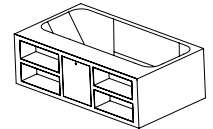
**BT7040A-01M\***

- Niche
- 1 front



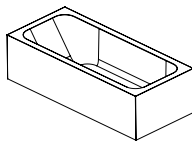
**BT7080A-01M\***

- Library C
- 1 front shelving unit + 2 sides + 1 end
- Includes magnetic door



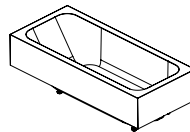
**BT7010A-01M\***

- Freestanding
- Finished 4 sides



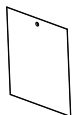
**BT7050A-01M\***

- Floor recessed
- 4 custom sides



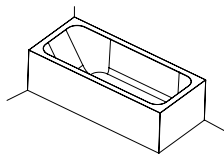
**BTDoor\***

- Magnetic door option for BT7010, BT7020, BT7030, BT7040, BT7050 & BT7080



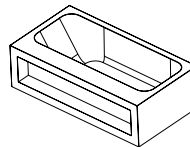
**BT7020A-01M\***

- Corner
- 1 front + 1 end



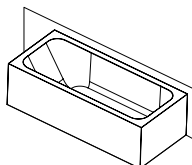
**BT7060A-01M\***

- Library A
- 1 front shelving unit + 2 sides + 1 end



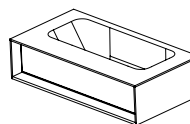
**BT7030A-01M\***

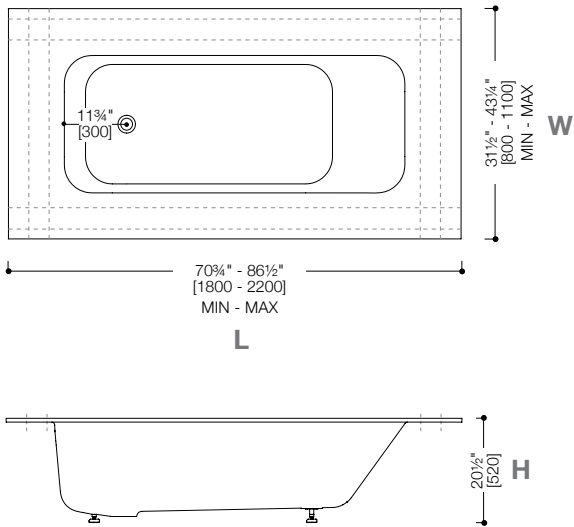
- Wall
- 1 front + 2 ends



**BT7070A-01M\***

- Library B
- 1 front shelving unit + 2 sides + 1 end





options

**BT7000A-01M\***

70 3/4" L x 31 1/2" W x 20 1/2" H

**BT7000B-01M\***

78 3/4" L x 39 1/4" W x 20 1/2" H

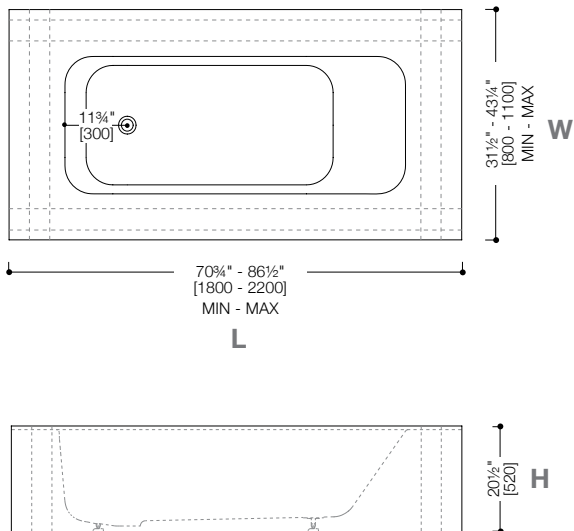
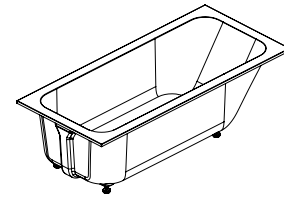
**BT7000C-01M\***

86 1/2" L x 43 1/4" W x 20 1/2" H

**BT7000D-01M\***

MIN - MAX (" L x " W x 20 1/2" H)

- Base unit
- No sides



options

**BT7010A-01M\***

70 3/4" L x 31 1/2" W x 20 1/2" H

**BT7010B-01M\***

78 3/4" L x 39 1/4" W x 20 1/2" H

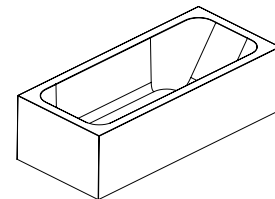
**BT7010C-01M\***

86 1/2" L x 43 1/4" W x 20 1/2" H

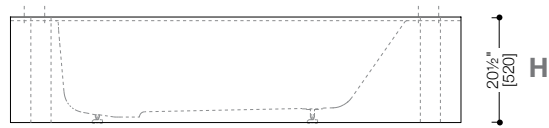
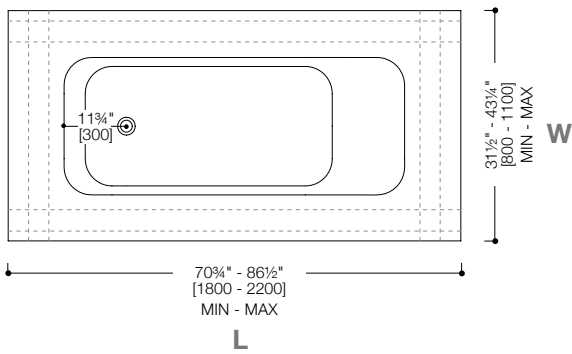
**BT7010D-01M\***

MIN - MAX (" L x " W x 20 1/2" H)

- Freestanding
- Finished - 4 sides







options

**BT7020A-01M\***

70 3/4" L x 31 1/2" W x 20 1/2" H

**BT7020B-01M\***

78 3/4" L x 39 1/4" W x 20 1/2" H

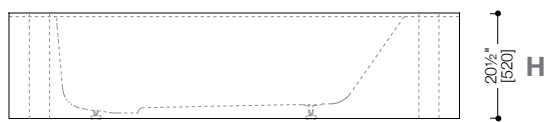
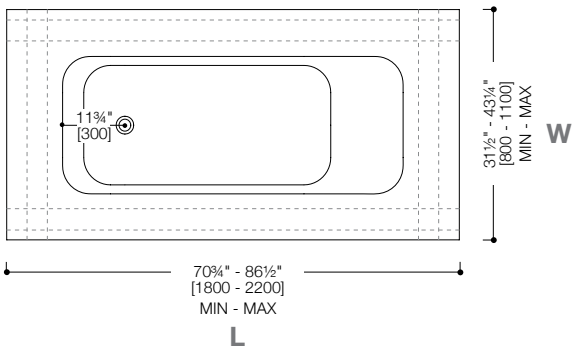
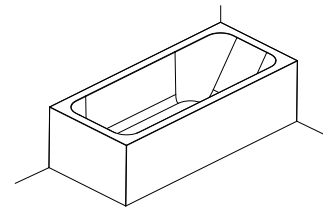
**BT7020C-01M\***

86 1/2" L x 43 1/4" W x 20 1/2" H

**BT7020D-01M\***

MIN - MAX (" L x " W x 20 1/2" H)

- Corner
- 1 front + 1 end



options

**BT7030A-01M\***

70 3/4" L x 31 1/2" W x 20 1/2" H

**BT7030B-01M\***

78 3/4" L x 39 1/4" W x 20 1/2" H

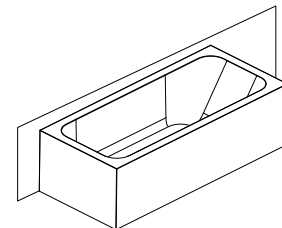
**BT7030C-01M\***

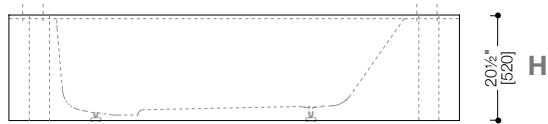
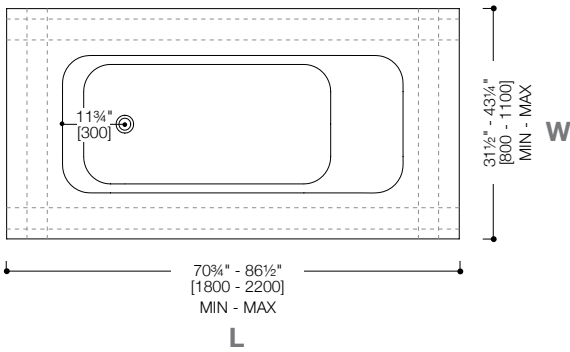
86 1/2" L x 43 1/4" W x 20 1/2" H

**BT7030D-01M\***

MIN - MAX (" L x " W x 20 1/2" H)

- Wall
- 1 front + 2 ends





options

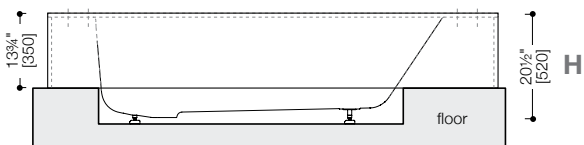
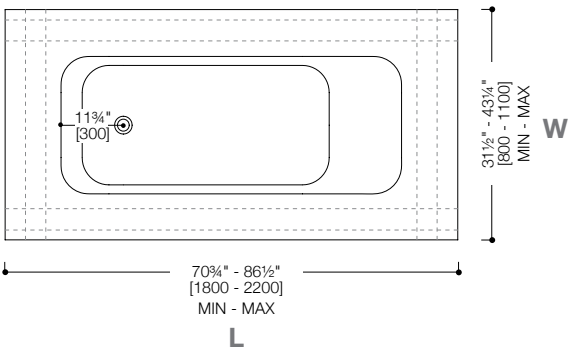
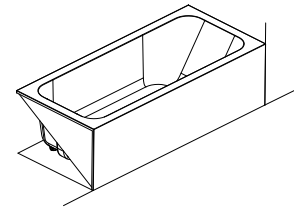
**BT7040A-01M\***  
70 3/4" L x 31 1/2" W x 20 1/2" H

**BT7040B-01M\***  
78 3/4" L x 39 1/4" W x 20 1/2" H

**BT7040C-01M\***  
86 1/2" L x 43 1/4" W x 20 1/2" H

**BT7040D-01M\***  
MIN - MAX (" L x " W x 20 1/2" H)

- Niche
- 1 front



options

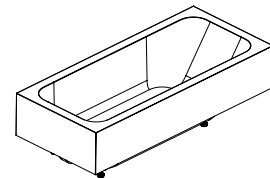
**BT7050A-01M\***  
70 3/4" L x 31 1/2" W x 20 1/2" H

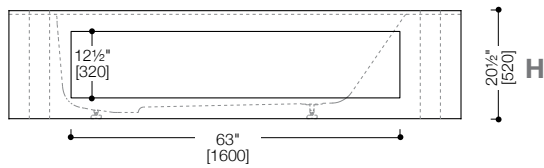
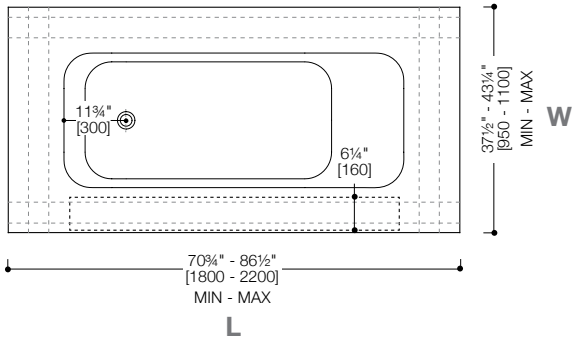
**BT7050B-01M\***  
78 3/4" L x 39 1/4" W x 20 1/2" H

**BT7050C-01M\***  
86 1/2" L x 43 1/4" W x 20 1/2" H

**BT7050D-01M\***  
MIN - MAX (" L x " W x 20 1/2" H)

- Floor recessed
- 4 custom sides





options

**BT7060A-01M\***

70 3/4" L x 37 1/2" W x 20 1/2" H

**BT7060B-01M\***

78 3/4" L x 41 1/4" W x 20 1/2" H

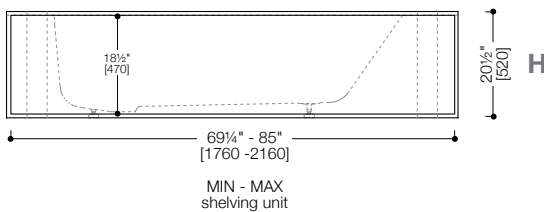
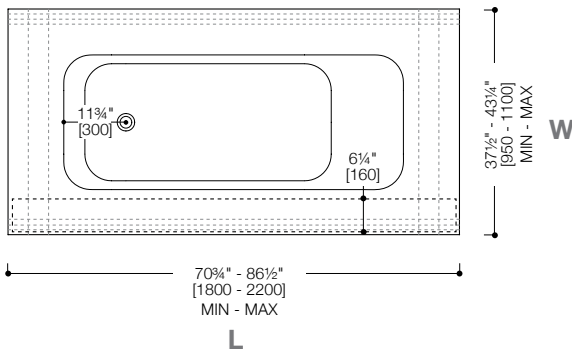
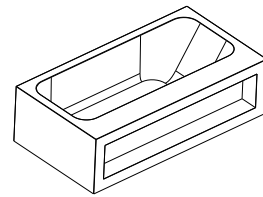
**BT7060C-01M\***

82 3/4" L x 43 1/4" W x 20 1/2" H

**BT7060D-01M\***

MIN - MAX (" L x " W x 20 1/2" H)

- Library A
- 1 front shelving unit + 2 sides + 1 end



options

**BT7070A-01M\***

70 3/4" L x 37 1/2" W x 20 1/2" H

**BT7070B-01M\***

78 3/4" L x 41 1/4" W x 20 1/2" H

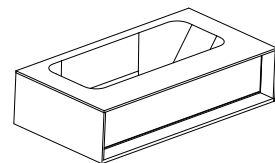
**BT7070C-01M\***

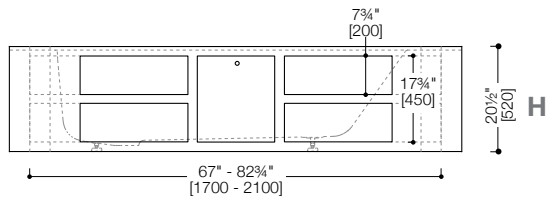
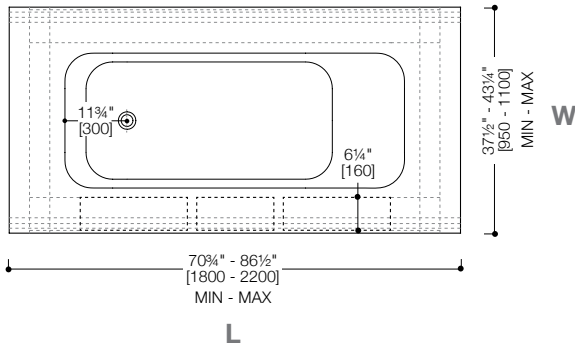
82 3/4" L x 43 1/4" W x 20 1/2" H

**BT7070D-01M\***

MIN - MAX (" L x " W x 20 1/2" H)

- Library B
- 1 front shelving unit + 2 sides + 1 end





options

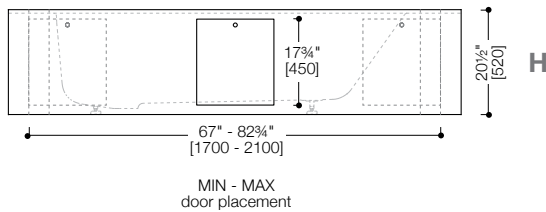
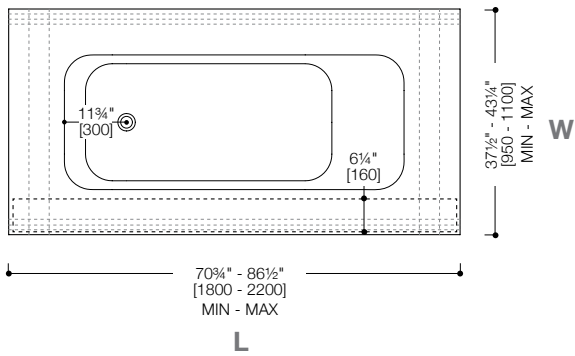
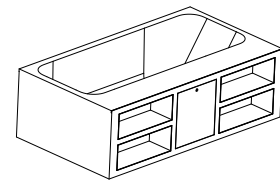
**BT7080A-01M\***  
70 3/4" L x 37 1/2" W x 20 1/2" H

**BT7080B-01M\***  
78 3/4" L x 41 1/4" W x 20 1/2" H

**BT7080C-01M\***  
82 3/4" L x 43 1/4" W x 20 1/2" H

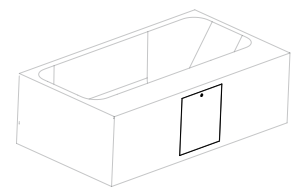
**BT7080D-01M\***  
MIN - MAX (" L x " W x 20 1/2" H)

- Library C
- 1 front shelving unit + 2 sides + 1 end
- Includes magnetic door (BTDOOR)



**BTDOOR-01M\***

- Magnetic door option for BT7010, BT7020, BT7030, BT7040, BT7050 & BT7080
- Requires MIN bathtub width of 37 1/2" (950mm)









blu·stone™

shower bases

blu·stone™ shower base SB9160.01-01MC1



# features + benefits

Blu Bathworks blu-stone™ shower bases are Italian-crafted using our signature, eco-friendly blu-stone™ material. The low 1¼" or 1½" threshold shower base provides design flexibility, exceptional durability, architectural style, and a range of lengths in 31½" or 35½" width options. Further customization is possible as the shower base can be cut to fit on-site.



## blu-stone™

Shower bases are molded from our blu-stone™ material that looks and feels like natural stone. This 80% quartzite, high pressure injection mold is exceptionally durable, repairable, and is both stain and scratch resistant. Also, our blu-stone™ shower bases do not require regular maintenance like tile and alternative materials, such as resealing grout.



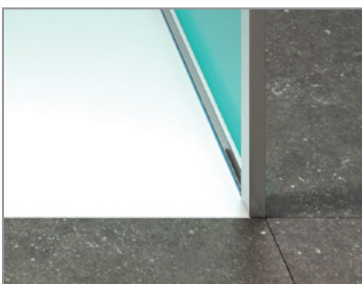
## Design Flexibility

The versatile right/left + center drain installation makes the shower base a convenient prospect for both new construction and remodels. Easily customizable, the shower receptor can be cut to fit specific lengths on site or cut to work around awkward corners or obstructions. For a unified design aesthetic, the shower base coordinates with a range of our blu-stone™ bathtubs, sinks and vanity countertops.



## One-Piece Design

Architecturally beautiful, the practical benefits of a seamless one-piece blu-stone™ shower base include the prevention of growth of mildew and mold, that typically occurs with grout. One-piece design also reduces the likelihood of leakage from the cracks in tiles and other alternatives. The shower base is thoughtfully molded to include a sloped floor that ensures water run-off through the drain only.

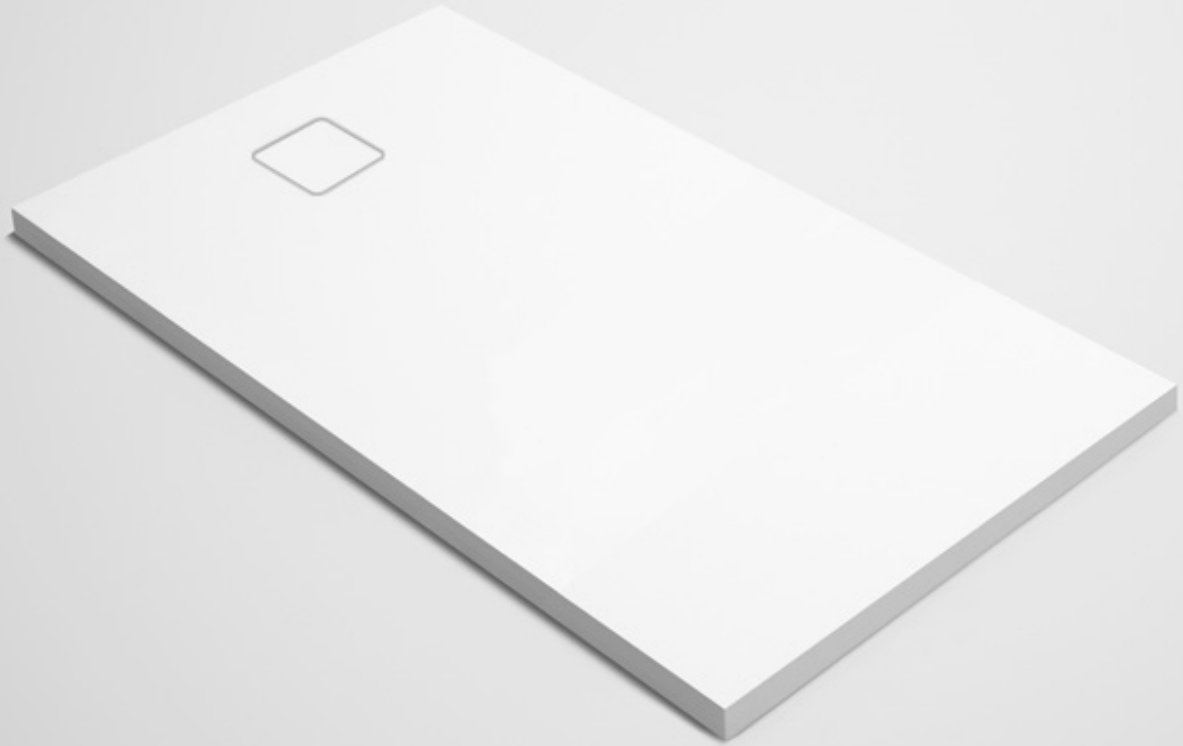


## Easy Installation

Precision engineered with a low 1¼" or 1½" threshold makes the blu-stone™ shower base an ease to install in any bathroom application. Whether it is surface-mounted or recessed, the shower base requires less labor and its associated cost to install.



# colors + finishes



blu·stone™ shower base SB9160.01-01MC1

## Material:

### blu·stone™

#### Solid Surface Material:

80% quartzite + 20% bio-resin

### finishes

**Matte:** Visually luminous and highly tactile, matte finish is soft and almost warm to the touch and evokes a minimalist architectural quality

**Textured Matte:** Subtle cement-like texture for a non-slip surface with natural look and feel

---

## How to order blu·stone™ shower bases:

### Showerbase SKU + blu·stone™ color & finish

eg. blu·stone™ shower base in Black Matte (04MC1) finish = **SB9160.01-04MC1**

# blu·stone™ shower bases

Please refer to blu·stone™ sample chips for true finish and color.

## stocked

white



matte - 01M

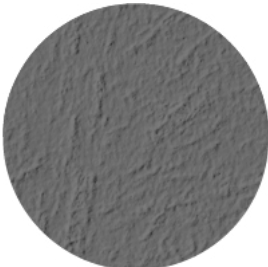
textured white



matte - 01MC1

## special order\*

textured concrete



matte - 06MC1

textured black



matte - 04MC1

\*Special Order finishes require a 16+ week lead time upon order confirmation (refer to pg 96 A)

1½" thickness

**SB8160.01-01MC1**

- 63" L x 31½" W x 1½" H / 1600mm L x 800mm W x 40mm H
- One-piece blu-stone™ shower base with removable blu-stone™ drain cover
- End drain with standard 3½" drain opening
- Cement-like textured, non-slip surface
- Easily customizable, can be cut to fit on-site
- Available in a range of blu-stone™ colors
- Alcove installation requires separate tile flange, TF.BTSB

SB8160.01 - 04MC1 / 06MC1\*

1½" thickness

**SB9120.01-01MC1**

- 47¼" L x 35½" W x 1½" H / 1200mm L x 900mm W x 40mm H
- One-piece blu-stone™ shower base with removable blu-stone™ drain cover
- End drain with standard 3½" drain opening
- Cement-like textured, non-slip surface
- Easily customizable, can be cut to fit on-site
- Available in a range of blu-stone™ colors
- Alcove installation requires separate tile flange, TF.BTSB

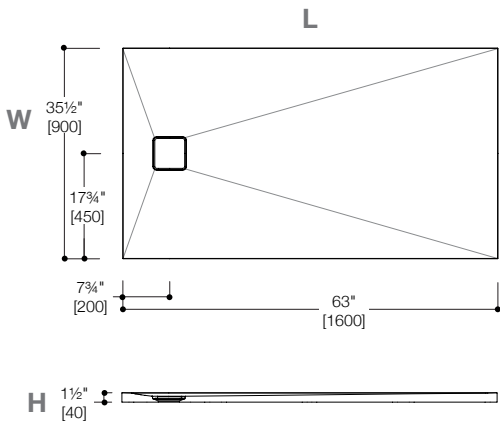
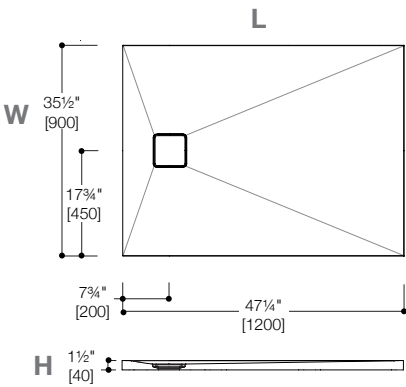
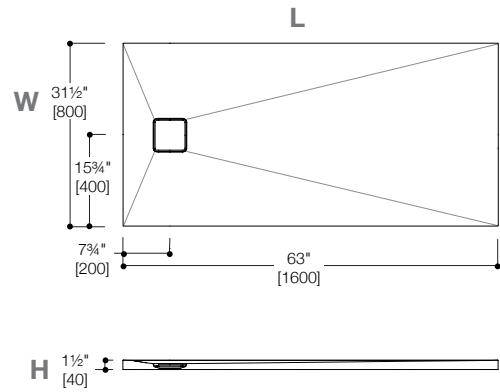
SB9120.01 - 04MC1 / 06MC1\*

1½" thickness

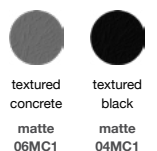
**SB9160.01-01MC1**

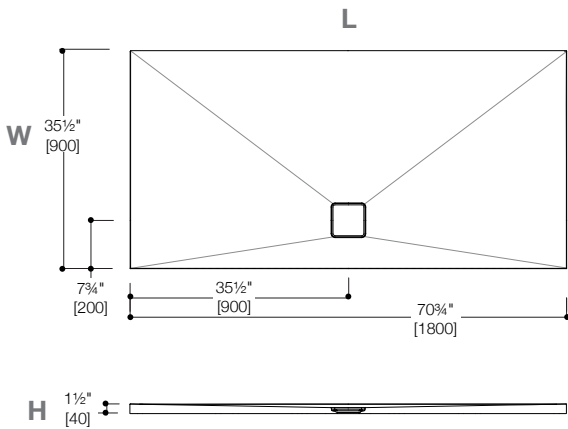
- 63" L x 35½" W x 1½" H / 1600mm L x 900mm W x 40mm H
- One-piece blu-stone™ shower base with removable blu-stone™ drain cover
- End drain with standard 3½" drain opening
- Cement-like textured, non-slip surface
- Easily customizable, can be cut to fit on-site
- Available in a range of blu-stone™ colors
- Alcove installation requires separate tile flange, TF.BTSB

SB9160.01 - 04MC1 / 06MC1\*



\*Special Order Finishes\*



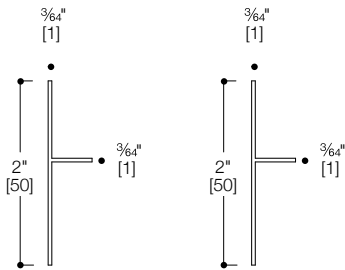


1 1/2" thickness

**SB9180.01-01MC1**

- 70 3/4" L x 35 1/2" W x 1 1/2" H / 1800mm L x 900mm W x 40mm H
- One-piece blu-stone™ shower base with removable blu-stone™ drain cover
- Offset center drain with standard 3 1/2" drain opening
- Cement-like textured, non-slip surface
- Easily customizable, can be cut to fit on-site
- Available in a range of blu-stone™ colors
- Alcove installation requires separate tile flange, TF.BTSB

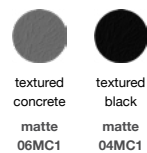
SB9180.01 - 04MC1 / 06MC1\*



**TF.BTSB**

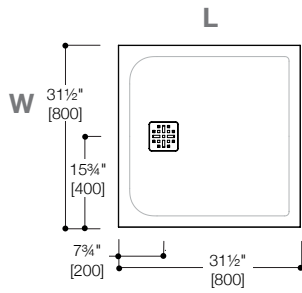
- Pair of 72" high density Polyethylene tile flanges
- Suitable for alcove bathtub and shower base installation

**\*Special Order Finishes\***



\*Special Order finishes require a 16+ week lead time upon order confirmation (refer to pg 96 A)

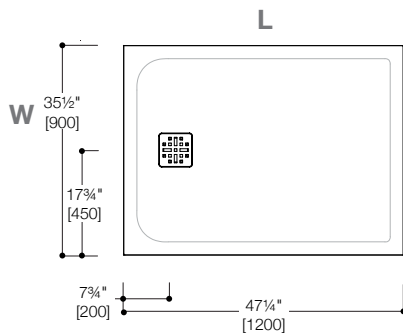




1 1/4" thickness

### SB8080-01M

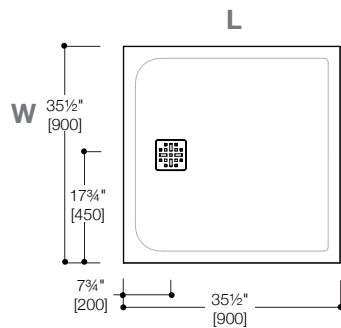
- 31 1/2" L x 31 1/2" W x 1 1/4" H / 800mm L x 800mm W x 30mm H
- One-piece blu-stone™ shower base with removable white stainless steel drain cover
- End drain with standard 3 1/2" drain opening
- Easily customizable, can be cut to fit on-site, non-slip surface
- Only available in White Matte finish
- Alcove installation requires separate tile flange, TF.BTSB (refer to pg 79 A)
- **Limited stock item**



1 1/4" thickness

### SB8120-01M

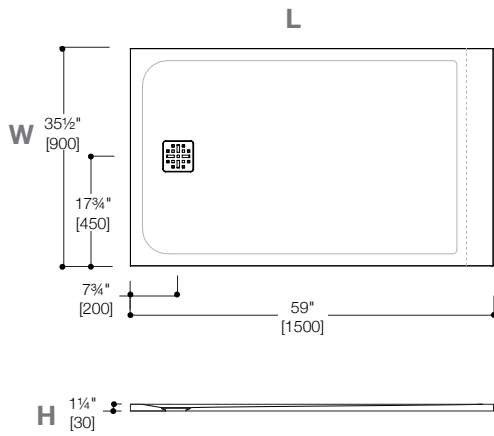
- 47 1/4" L x 31 1/2" W x 1 1/4" H / 1200mm L x 800mm W x 30mm H
- One-piece blu-stone™ shower base with removable white stainless steel drain cover
- End drain with standard 3 1/2" drain opening
- Easily customizable, can be cut to fit on-site, non-slip surface
- Only available in White Matte finish
- Alcove installation requires separate tile flange, TF.BTSB (refer to pg 79 A)
- **Limited stock item**



1 1/4" thickness

### SB9090-01M

- 35 1/2" L x 35 1/2" W x 1 1/4" H / 900mm L x 900mm W x 30mm H
- One-piece blu-stone™ shower base with removable white stainless steel drain cover
- End drain with standard 3 1/2" drain opening
- Easily customizable, can be cut to fit on-site, non-slip surface
- Only available in White Matte finish
- Alcove installation requires separate tile flange, TF.BTSB (refer to pg 79 A)
- **Limited stock item**



1 1/4" thickness

**SB9150-01M**

- 59" L x 35 1/2" W x 1 1/4" H / 1500mm L x 900mm W x 30mm H
- One-piece blu·stone™ shower base with removable white stainless steel drain cover
- End drain with standard 3 1/2" drain opening
- Easily customizable, can be cut to fit on-site, non-slip surface
- Only available in White Matte finish
- Alcove installation requires separate tile flange, TF.BTSB (refer to pg 79 A)
- *Limited stock item*

acrylic bathtub pisa-2 BT8004B18



# Acrylic Bathtubs

freestanding  
alcove

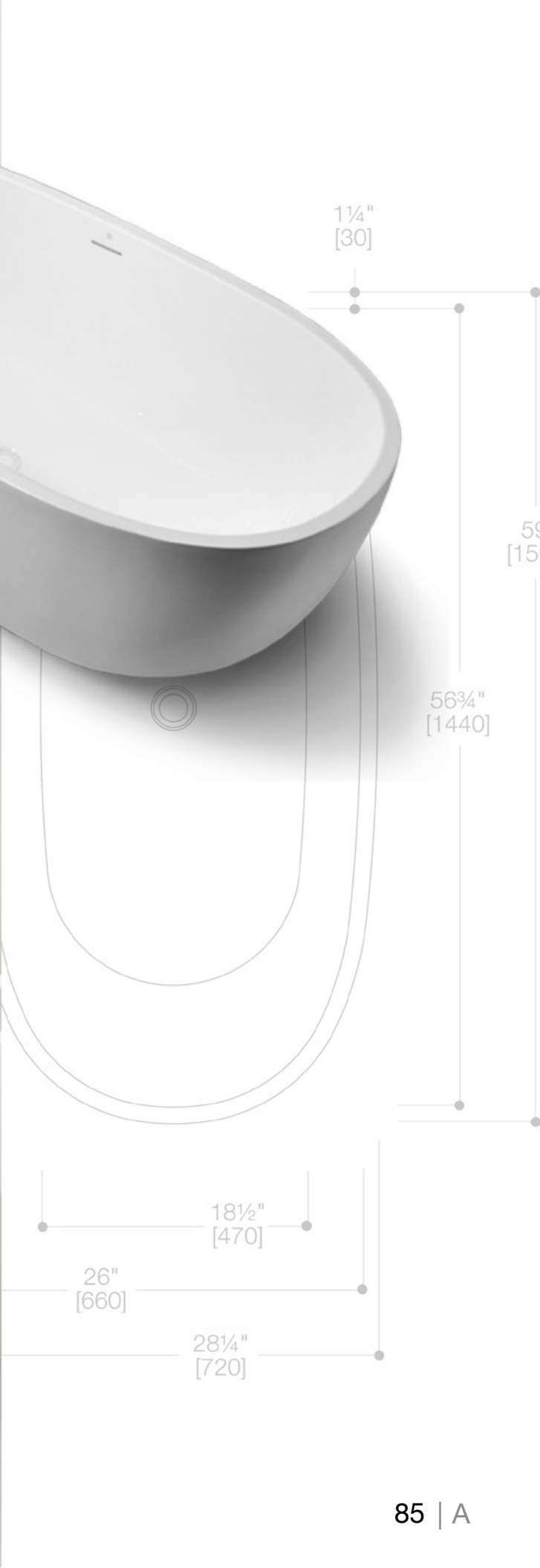




acrylic bathtub siena-1 BT8004B18

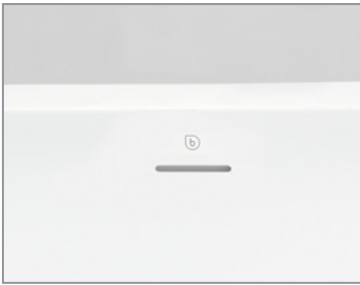






# features + benefits

Modern sophistication meets effortless functionality with Blu Bathworks selection of white matte or high gloss European-style acrylic bathtubs. Compact by design, these one-piece acrylic bathtubs require no assembling, making them manageable and easy to install in any bathroom environment.



## Durable + Integral Slot Overflow

Constructed with high-quality Lucite acrylic ensures durability and ease of repair. With a range of timeless designs for product longevity, Blu's acrylic bathtub minimizes waste and energy consumption.

Both blu-stone™ and acrylic bathtubs share the same integral slot overflow design, ensuring a seamless design and look in every bathroom.



## Anti-Rust Steel Frame + Adjustable Legs

Hidden underneath Blu Bathworks acrylic bathtubs are anti-rust steel frames to give the product extra reinforcement to ensure strength and longevity.

The addition of four adjustable legs will ensure the weight of the water is evenly distributed and the bathtub is installed perfectly leveled with the ground.



## Light Weight

Acrylic bathtubs by Blu are light in weight making them perfect for apartments or weight restricted areas. The lighter weight also makes moving and installing an acrylic bathtub an ease.



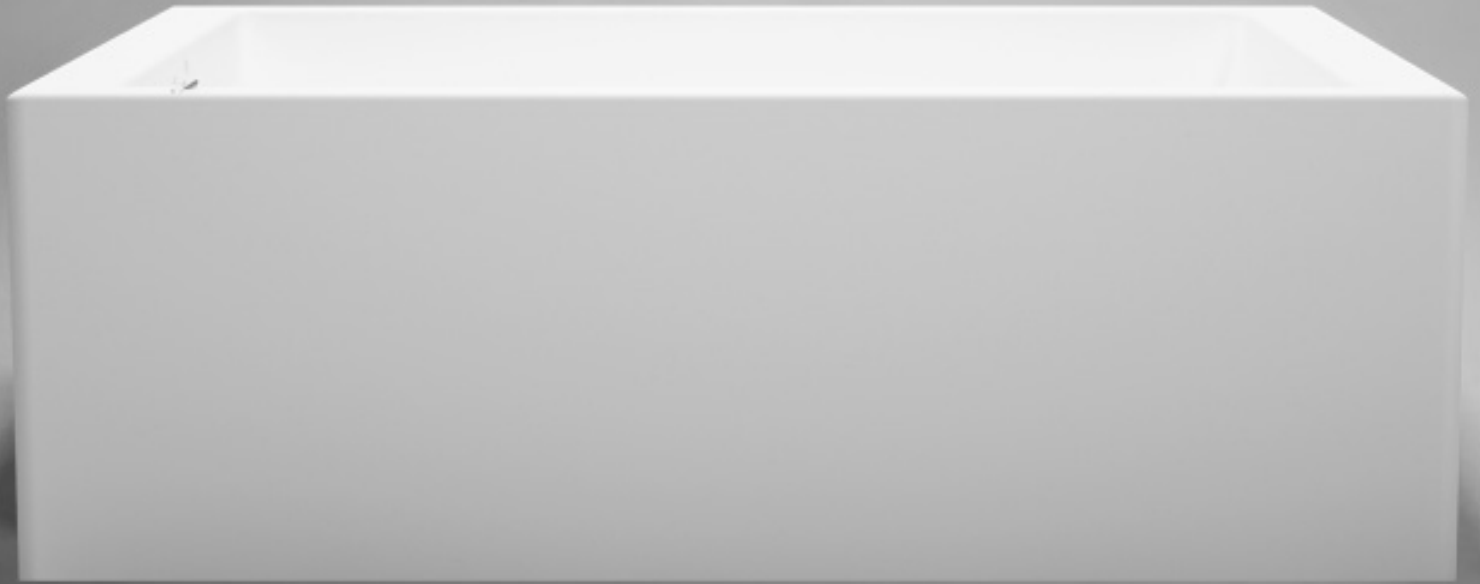
## Matte Finish

Blu Bathworks acrylic bathtubs in a modern white matte finish ensures a seamless design aesthetic throughout the home, eliminating any sacrifices for style and comfort at affordable price points.

**acrylic bathtub box-2 BT8005**  
**source series floor tubfiller 1262-AS**



# colors + finishes



acrylic bathtub box·1 BT8001

## Material:

### Acrylic

Acrylic bathtubs are made of vacuum-formed sheets of acrylic, reinforced for added durability

### finishes

**Gloss:** European high-gloss evokes a clean and contemporary quality

**Matte:** matte finish is available for select acrylic bathtubs, adding a modern touch and enhances design coordination

---

## How to order matte Acrylic bathtubs:

### Acrylic bathtub SKU + color & finish

eg. acrylic bathtub in White Matte (01M) finish = **BT8004B16-01M**

# acrylic bathtubs

Please refer to blu·stone™ sample chips for true finish and color.

## stocked

white



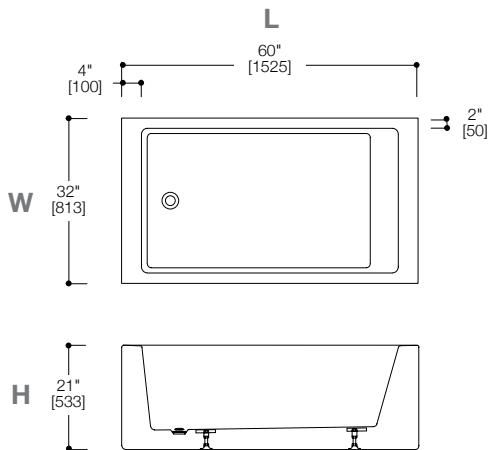
gloss

white



matte - 01M

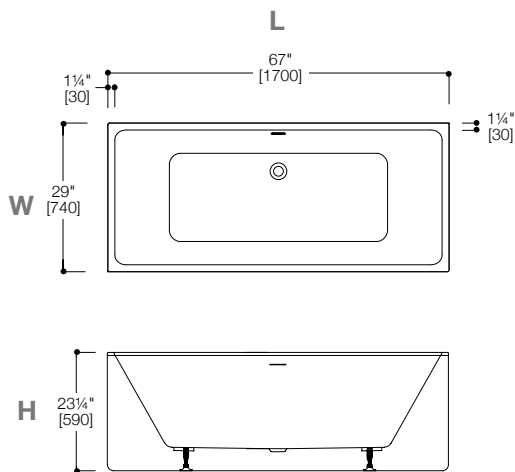




box:1

**BT8001**

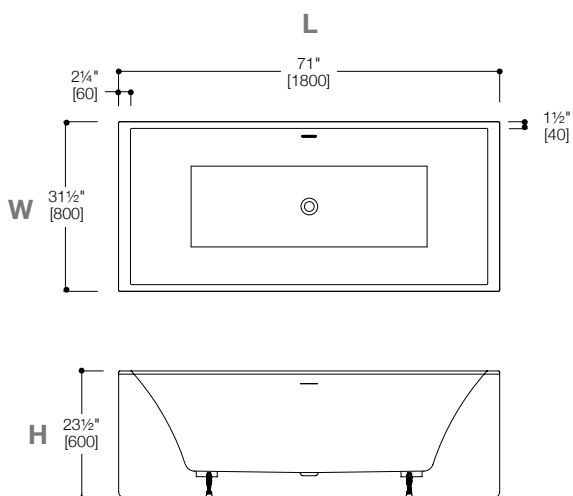
- 60" L x 32" W x 21" H / 1580mm L x 740mm W x 570mm H
- Seamless, one-piece acrylic bathtub with integral slot overflow
- Capacity 68G / 258L
- End drain for versatile left/right drain installation
- Includes matching white drain + waste cover
- Only available in white acrylic gloss finish
- Alcove installation requires separate tile flange, TF.BTSB (refer to pg 93 A)



box:2

**BT8005**

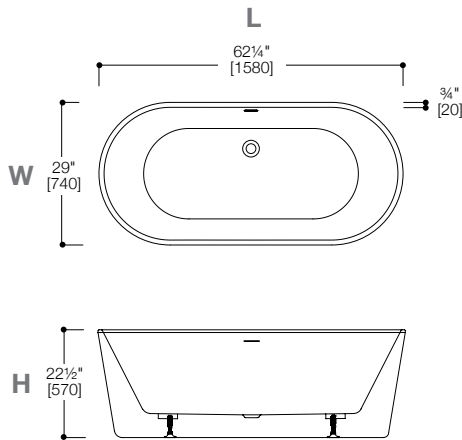
- 67" L x 29" W x 23 1/4" H / 1700mm L x 740mm W x 590mm H
- Seamless, one-piece acrylic bathtub with thin rim & integral slot overflow
- Capacity 80G / 304L
- Off center drain
- Includes matching white drain + waste cover
- Only available in white acrylic gloss finish
- Alcove installation requires separate tile flange, TF.BTSB (refer to pg 93 A)



box:3

**BT8007**

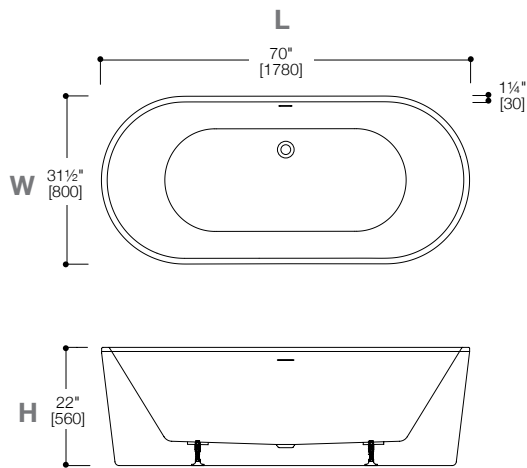
- 71" L x 31 1/2" W x 23 1/2" H / 1800mm L x 800mm W x 600mm H
- Seamless, one-piece acrylic bathtub with integral slot overflow
- Capacity 80G / 303L
- Center drain
- Includes matching white drain + waste cover
- Only available in white acrylic gloss finish
- Alcove installation requires separate tile flange, TF.BTSB (refer to pg 93 A)



pisa·3

**BT8004B16**  
**BT8004B16-01M**

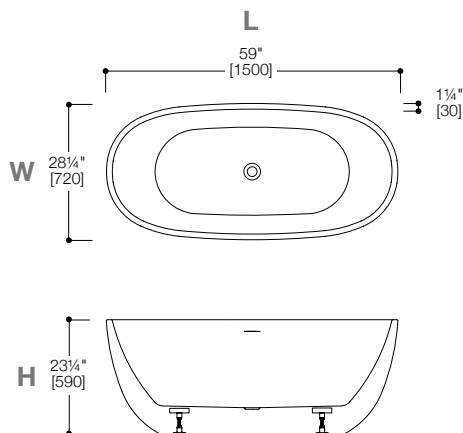
- 62 1/4" L x 29" W x 22 1/2" H / 1580mm L x 740mm W x 500mm H
- Seamless, one-piece acrylic bathtub with thin rim & integral slot overflow
- Capacity 66G / 250L
- Off center drain
- Includes matching white drain + waste cover
- Available in white acrylic gloss or matte finish



pisa·4

**BT8004B18**  
**BT8004B18-01M**

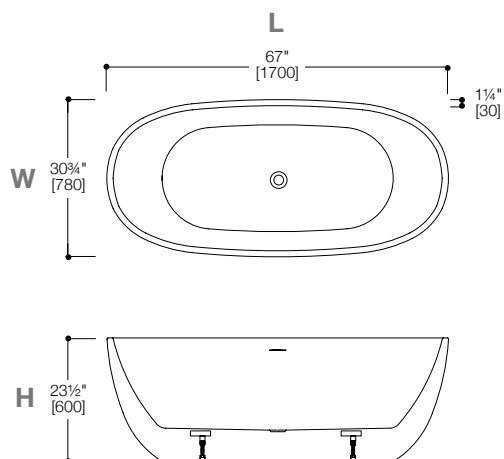
- 70" L x 31 1/2" W x 22" H / 1780mm L x 800mm W x 560mm H
- Seamless, one-piece acrylic bathtub with thin rim & integral slot overflow
- Capacity 82G / 310L
- Off center drain
- Includes matching white drain + waste cover
- Available in white acrylic gloss or matte finish



siena·1

**BT8006B15**  
**BT8006B15-01M**

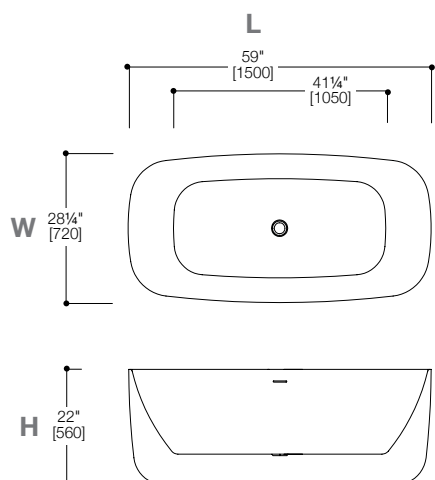
- 59" L x 28 1/4" W x 23 1/4" H / 1500mm L x 720mm W x 590mm H
- Seamless, one-piece acrylic bathtub with thin rim & integral slot overflow
- Capacity 63G / 240L
- Center drain
- Includes matching white drain + waste cover
- Available in white acrylic gloss or matte finish



siena:2

**BT8006B17**  
**BT8006B17-01M**

- 67" L x 30¾" W x 23½" H / 1700mm L x 780mm W x 600mm H
- Seamless, one-piece acrylic bathtub with thin rim & integral slot overflow
- Capacity 79G / 300L
- Center drain
- Includes matching white drain + waste cover
- Available in white acrylic gloss or matte finish

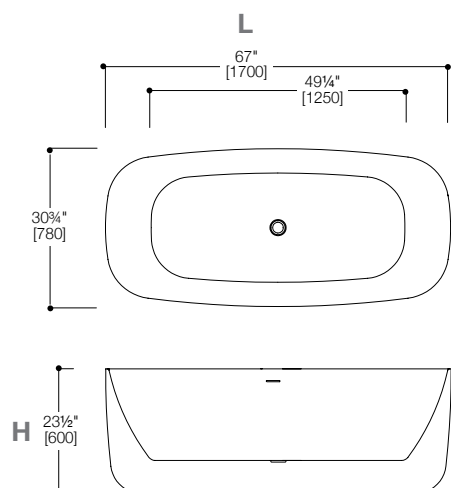


**NEW**

messina:1

**BT8008B15\***  
**BT8008B15-01M\***

- 59" L x 28¼" W x 22" H / 1500mm L x 720mm W x 560mm H
- Seamless, one-piece acrylic bathtub with thin rim & integral slot overflow
- Capacity 60G / 230L
- Center drain
- Includes matching white drain + waste cover
- Available in white acrylic gloss or matte finish



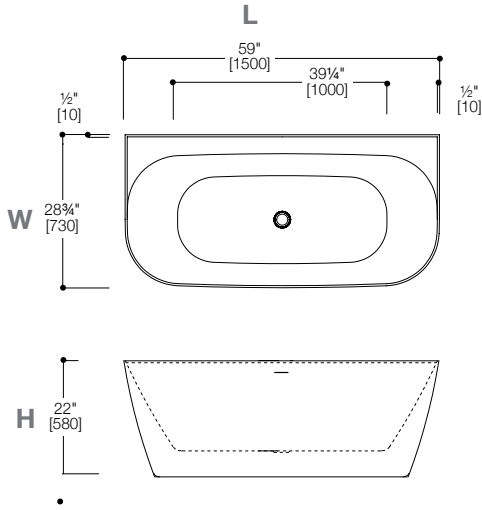
**NEW**

messina:2

**BT8008B17\***  
**BT8008B17-01M\***

- 67" L x 30¾" W x 23½" H / 1700mm L x 780mm W x 600mm H
- Seamless, one-piece acrylic bathtub with thin rim & integral slot overflow
- Capacity 74G / 280L
- Center drain
- Includes matching white drain + waste cover
- Available in white acrylic gloss or matte finish

freestanding + tile flange

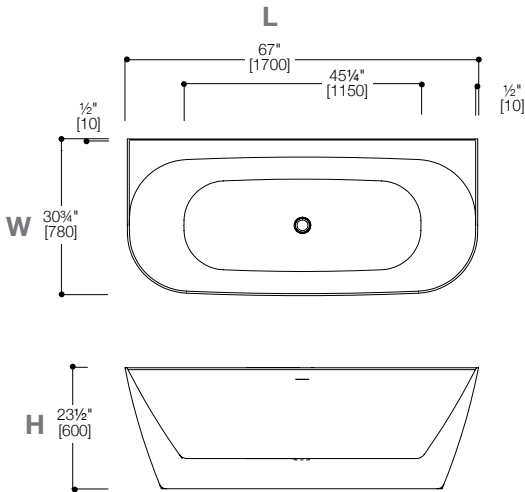


NEW

lucca·1

**BT8009B15\***  
**BT8009B15-01M\***

- 59" L x 28 3/4" W x 22" H / 1500mm L x 730mm W x 560mm H
- Seamless, one-piece acrylic bathtub with thin rim & integral slot overflow
- Capacity 53G / 200L
- Center drain
- Includes matching white drain + waste cover
- Available in white acrylic gloss or matte finish

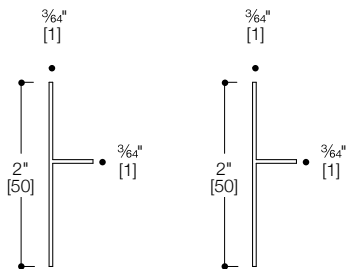


NEW

lucca·1

**BT8009B17\***  
**BT8009B17-01M\***

- 67" L x 30 3/4" W x 23 1/2" H / 1700mm L x 780mm W x 600mm H
- Seamless, one-piece acrylic bathtub with thin rim & integral slot overflow
- Capacity 60G / 230L
- Center drain
- Includes matching white drain + waste cover
- Available in white acrylic gloss or matte finish



TF.BTSB

- Pair of 72" high density Polyethylene tile flanges
- Suitable for alcove bathtub and shower base installation

# warranty

## limited blu-stone™ residential warranty

Blu Bathworks® (“Blu”) blu-stone™ products are warranted to the original purchaser to be free from defects in all material and workmanship during normal residential use for a period of five (5) years from the date of purchase. Blu will, at its election, repair, provide a replacement part or product, or make appropriate adjustment, subject to the terms and conditions set forth in this warranty. Blu Bathworks does not recommend exceeding US/Canada maximum hot water temperature regulations of 150°F / 65°C, respectively. Exceeding stated temperatures could result in damage to blu-stone™ basins and bathtubs. Bathtub/basin drains and parts are warranted for a period of 1 year.

## limited acrylic residential warranty

Blu Bathworks® (“Blu”) acrylic bathtubs are warranted to the original purchaser to be free from defects in all material and workmanship during normal residential use for a period of five (5) years from the date of purchase. Blu will, at its election, repair, provide a replacement part or product, or make appropriate adjustment, subject to the terms and conditions set forth in this warranty. Acrylic bathtub drains are warranted for a period of 1 year.

## limited furniture residential warranty

Blu Bathworks® (“Blu”) furniture products are warranted to the original purchaser to be free from defects in all material and workmanship during normal residential use for a period of one (5) years from the date of purchase. Blu will, at its election, repair, provide a replacement part or product, or make appropriate adjustment, subject to the terms and conditions set forth in this warranty. The painted finish is warranted for a period of 2 years; furniture accessories and parts are warranted for a period of 1 year.

## limited tapware residential warranty

Blu Bathworks® (“Blu”) tapware products are warranted to the original purchaser to be free from defects in all mechanical parts during normal residential use for as long as the original purchaser owns his or her home. Blu will, at its election, repair, provide a replacement part or product, or make appropriate adjustment, subject to the terms and conditions set forth in this warranty. Normal wear and tear on parts is warranted for a period of 1 year. The PVD finish is warranted for a period of 5 years, powder coat finish is warranted for a period of 2 years, polish chrome finish is warranted for a period of 2 years.

## limited commercial warranty

Blu Bathworks® (“Blu”) products are warranted to the original purchaser to be free from defects in all material and workmanship during normal usage for a period of one (1) year from the date of purchase. Blu will, at its election, repair, provide a replacement part or product, or make appropriate adjustment, subject to the terms and conditions set forth in this warranty.



# terms + conditions

This warranty applies only to Blu Bathworks® ("Blu") products distributed in North America.

This warranty is non-transferable and is for the exclusive benefit of the original purchaser of a Blu product. This warranty may be exercised by the original purchaser of a unit in a new residential development. Blu recommends using a professional plumber for all installation and repair.

This warranty does not apply to products that have been installed in any manner other than as set out in Blu's installation guides, or to products that have been altered in any way.

For further clarity, the above stated warranty does not cover or apply to damage attributable to:

- a. neglect, misuse, abuse, accident or negligence;
- b. normal wear and tear, such as gloss reduction, scratching or fading over time due to use, cleaning practices or water or atmospheric condition, including but not limited to, the use of bleach, alkali, acid cleaners, dry (powder) cleaners or any other abrasive cleaners or the use of metal or nylon scrubbers.
- c. dirt or lime scale, or improper care, cleaning, or maintenance of the Product, or the use of inappropriate cleaners (such as those containing abrasives, ammonia, acids, waxes, bleaches, solvents, alcohol, or any product not recommended for chrome);
- d. damage caused by transportation, or improper storage;
- e. a natural calamity such as fire, earthquake, flood, thunder, electrical storm, etc.;
- f. sediments or foreign matter contained in a water system;
- g. damage or loss resulting from improper installation or from installation of the Product in a harsh and/or hazardous environment, or improper removal, repair or modification of the Product;
- h. electrical surges or lightning strikes or other acts which are not the fault of Blu Bathworks or which the Product is not specified to tolerate;
- i. the use of any Product in a manner inconsistent with the Product instructions / owners manual; and
- j. any failure, or damage to, this Product caused by either chloramines in the treatment of public water supply or cleaners containing chlorine (calcium hypochlorite).

**NOTE: The use of high concentrate chlorine or chlorine related products can seriously damage the fittings. This damage can cause leakage and serious property damage.**

- k. the aerator, cartridges/check valves included in some tapware, due to being an expendable item
- l. The supply lines must be flushed out to prevent clogging of the filter screens. Failure to flush the lines will permanently damage the cartridge and void the warranty

This is the only warranty of Blu, which makes no other warranty of any kind. Blu disclaims any liability for special, incidental or consequential damages.

In no event shall the liability of Blu under this warranty exceed the purchase price of the product.

## PROCEDURE FOR WARRANTY SERVICE

Refer to blubathworks.com for policy and procedures relating to requests for service under the terms of this warranty. Original proof of purchase is required. Blu is not responsible for removal or installation costs, or the costs of shipping and handling associated with any service. Repaired or replaced products or parts are warranted only for the period remaining under the initial warranty.

For warranty eligibility, a completed & signed Return Goods Authorization (RGA) form must be emailed to Blu Bathworks® at [warranty@blubathworks.com](mailto:warranty@blubathworks.com), which includes all relevant information regarding your claim, including:

- Product /SKU number
- Proof-of-purchase (copy of your original sales receipt, purchase order, or invoice), the date the product was purchased and installation date
- Complete description of the problem with supporting documentation as applicable (such as photographs)

**Note: Failure to provide any required information will void the warranty.**

Any damages resulting from transportation or missing parts must be reported to Blu within 5 days of receipt by the consignee. Please allow 7 to 14 business days for warranty processing. Special Order items are not subject to cancellation or return.

# inventory

Blu Bathworks' categorizes standard in-stock inventory items versus special order items and provides an estimated guideline for fulfillment of custom blu-stone™ + amanpuri items, as outlined below.

Lead times indicated are approximative from order confirmation date and do not include shipping within North America.

**Designer Bathtubs** require a 50% non-refundable deposit at time of order acceptance.

## blu-stone™

**Stock:** inventory

**\*Special Order:** 16+ week

### basins + bathtubs

### showerbases

01M	stock	07M/G	special order
01G	special order	09M/G	special order
02M/G	special order		
03M/G	special order		
04M/G	special order		
06M/G	special order		

01M	stock
01MC1	stock
04MC1	special order
06MC1	special order

## amanpuri collection bathtubs

**\*Special Order:** 16+ week

### amanpuri bathtubs

### amanpuri shelving units

01M	special order	01M	special order
-----	---------------	-----	---------------

## designer series bathtubs

**\*Special Order:** 16+ week

7000 series	special order
-------------	---------------

## tapware

**Stock:** inventory

**\*Special Order:** 6-8 week

## all NEW items: for 2023

**\*Special Order:** 6-8 week

# contact

We pride ourselves in customer service – we're here to help you and your clients experience the best in design, functionality & service. For your convenience, please use the contact support information listed below.

## Phone

**Toll free:** +1.866.907.0122

**Local:** +1.604.299.0122

## Email

**Orders:** [orders@blubathworks.com](mailto:orders@blubathworks.com)

**Inquiries:** [info@blubathworks.com](mailto:info@blubathworks.com)

**Technical/After-sales:** [support@blubathworks.com](mailto:support@blubathworks.com)

**Warranty:** [warranty@blubathworks.com](mailto:warranty@blubathworks.com)

**Marketing:** [marketing@blubathworks.com](mailto:marketing@blubathworks.com)

## Online

**Website:** [blubathworks.com](http://blubathworks.com)

**Social Media:** [@blubathworks](https://www.instagram.com/blubathworks)



