

SA0507 SPECIFICATIONS

halo blu·stone™ freestanding basin

FEATURES:

- Cylindrical freestanding pedestal basin
- Modern freestanding design with integral slot overflow and matching blu·stone™ waste cover
- Made of blu·stone™ providing the look and feel of natural stone
- Stronger and more durable than ceramic
- Non-porous, stain resistant surface that does not require sealing
- Does not promote bacteria, mold or fungi

SPECIFICATIONS:

Drain hole:	Ø1¾" (Ø45)
Size:	22" DIA (560mm)*
Height:	32" (810mm)*
Warranty:	Five Year Warranty (Residential use) One Year Warranty (Commercial use)
Material:	blu·stone™
Shipping Weight:	116lbs (53kg)
Shipping Dimensions:	(LWH) 22" x 22" x 32½" (560mm x 560mm x 825mm)

COLORS / FINISHES:

White Matte/Gloss as standard
Custom colors available (Tier 1/ Tier 2 items)

ACCESSORIES:

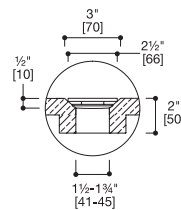
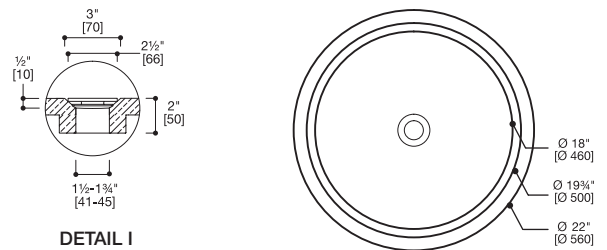
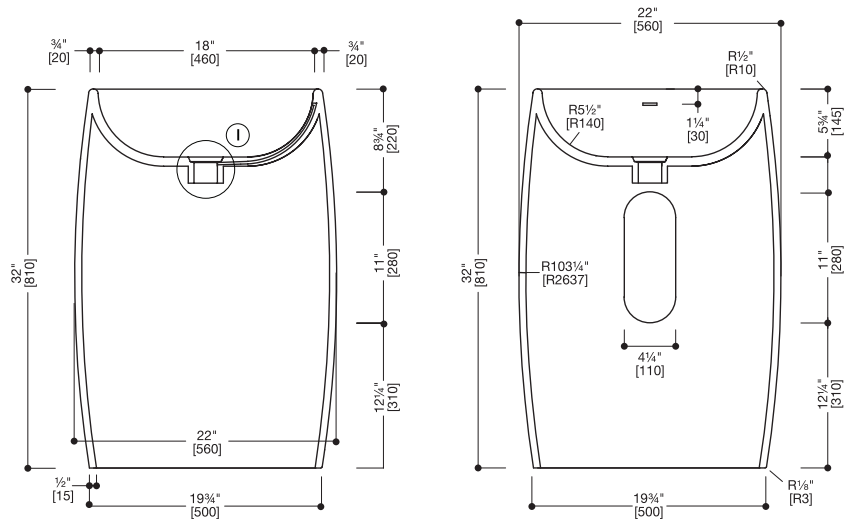
Recommend TW121 push button waste
blu·stone™ waste cover included

INSTALLATION NOTES:

Install this product according to the installation guide.
Our products must be installed by certified professionals only and according to our installation guide as well as federal, provincial / state and local building codes and regulations. Product has an overflow. Spout must provide a minimum of 5" reach for adequate clearance into basin.

CODES / STANDARDS APPLICABLE:

- ASME A112.19.2
- IAPMO / cUPC
- ICC / ANSI A117.1
- CSA B 45
- Fixture dimensions and hydraulic performance meet or exceed ANSI / ASME standard A112.19.2, A112.19.9M and CAN / CSA B 45 requirements.



*Approximate measurements for comparison only.
Note: These dimensions and specifications are subject to change without notice.