

TX810 SPECIFICATIONS

INOX 1/2" pressure balance tub/shower rough-in valve

FEATURES:

- Wall-mount, concealed pressure balance rough-in valve for tub/shower trim sets
- Stainless steel trim AISI 304
- Plaster guard provided for protection during installation

SPECIFICATIONS:

Warranty:	Limited lifetime warranty (residential) One year warranty (commercial)
Connection:	1/2" NPT
Material:	Stainless steel trim AISI 304
Flow rate:	9-12 gpm @ 60 PSI (free outlet)
Cartridge type:	Ceramic cartridge S.T.S.R Italy
Shipping weight:	2.9 lbs (1.33 kg)
Shipping dimensions:	(LWH) 6" x 6 3/4" x 7 3/4" (155mm x 172mm x 195mm)

FINISHES:

- Satin (-S)

REQUIRES:

- TOX811R/BT-S wall-mount pressure balance tub/shower trim set

ACCESSORIES:

- TX821-S two-way diverter tub/shower valve without closing cartridge

INSTALLATION:

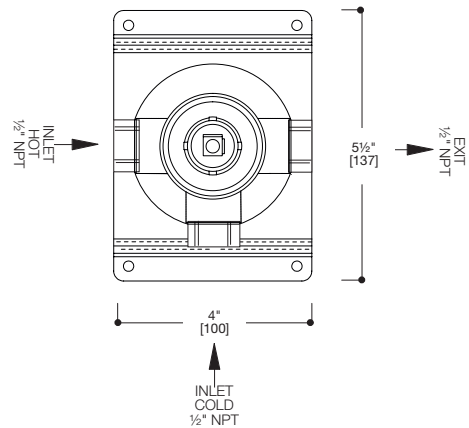
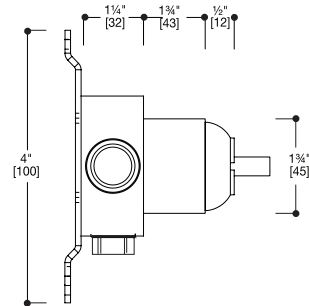
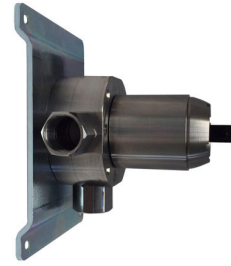
Install this product according to the installation guide.
Our products must be installed by certified professionals only and according to our installation guide as well as federal, provincial/state and local building codes and regulations.

CARE AND MAINTENANCE:

See Installation Manual

CODES / STANDARDS APPLICABLE:

- Meets or exceeds ANSI / ASME standard A112.18.1 and CAN / CSA B125.1-05 requirements
- Listed with IAPMO bearing the UPC / cUPC mark
- Calgreen compliant
- California AB1953 compliant



CALGreen AB1953

*Approximate measurements for comparison only.
Note: These dimensions and specifications are subject to change without notice.