

# SA0202 SPECIFICATIONS

## box blu-stone™ countertop basin

### FEATURES:

- Above-the-counter modern design with integral slot overflow & matching blu-stone™ waste cover
- Made of blu-stone™ providing the look and feel of natural stone
- Stronger and more durable than ceramic
- Non-porous, stain resistant surface that does not require sealing
- Does not promote bacteria, mold or fungi

### SPECIFICATIONS:

Drain hole:	Ø1¾" (Ø45mm)
Size:	16¼" x 16¼" (410mm x 410mm)*
Height:	5¾" (145mm)
Warranty:	Five Year Warranty (Residential use) One Year Warranty (Commercial use)
Material:	blu-stone™
Shipping Weight:	46 lbs (21kg)
Shipping Dimensions:	(LWH) 18" x 18" x 7¾" (460mm x 460mm x 195mm)

### COLOR / FINISHES:

White Matte/Gloss as standard  
Custom colors and embossed finish available (Tier 1/ Tier 2 items)

### ACCESSORIES:

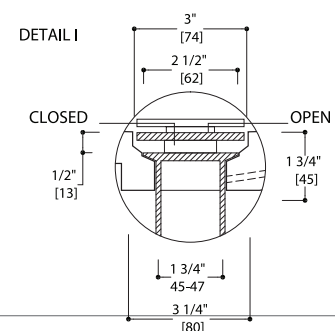
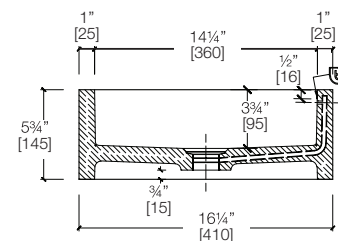
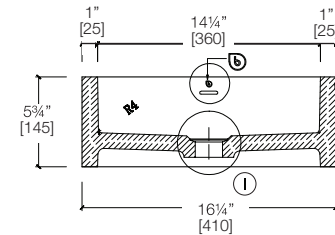
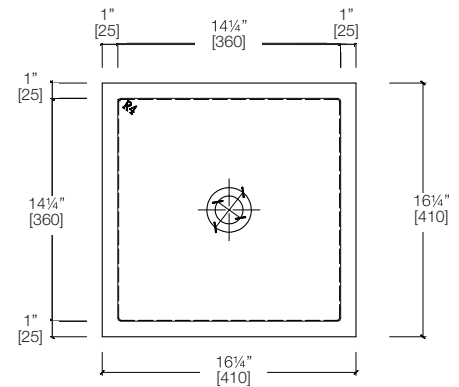
Recommend TW121 push button waste  
blu-stone™ waste cover included

### INSTALLATION NOTES:

Install this product according to the installation guide.  
Our products must be installed by certified professionals only and according to our installation guide as well as federal, provincial / state and local building codes and regulations. Product has an overflow. Spout must provide a minimum of 5" reach for adequate clearance into basin.

### CODES / STANDARDS APPLICABLE:

- ASME A112.19.2
- IAPMO / cUPC
- ICC / ANSI A117.1
- CSA B 45
- Fixture dimensions and hydraulic performance meet or exceed ANSI / ASME standard A112.19.2, A112.19.9M and CAN / CSA B 45 requirements.



\*Approximate measurements for comparison only.  
**Note:** These dimensions and specifications are subject to change without notice.