

TSP211 SPECIFICATIONS

pure·2 in-wall basin mixer

FEATURES:

- In-wall basin mixer with single lever handle
- Durable finish and sleek design
- Brass valve body
- 9¼" spout projection with Neoperl laminar flow aerator
- Ceramic disk valve cartridge for drip-free performance
- Less drain

SPECIFICATIONS:

Warranty:	Limited lifetime warranty (residential) One year warranty (commercial)
Connection:	½" NPT
Material:	Brass body
Flow rate:	1.5 gpm @ 60 PSI
Weight:	7 lbs (3 kg)
Shipping dimensions:	(LWH) 14" x 8" x 4" (355mm x 195mm x 105mm)*

FINISHES:

Polished chrome

ACCESSORIES:

Recommend TW120 or TW121 push button waste
Optional spout lengths available (sold separately)

INSTALLATION:

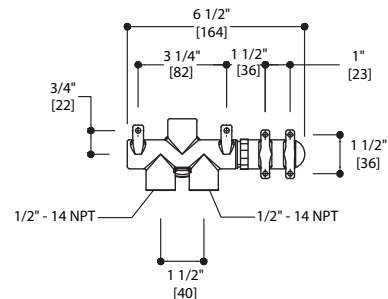
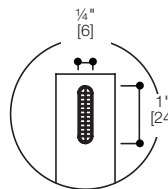
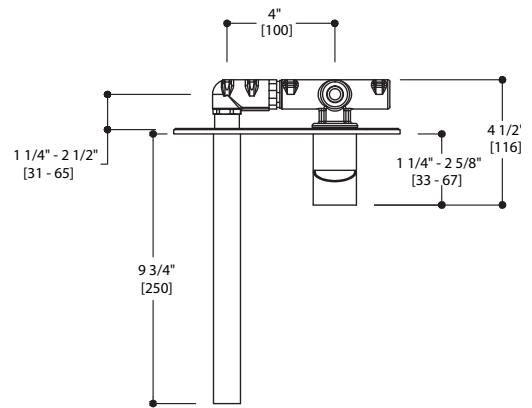
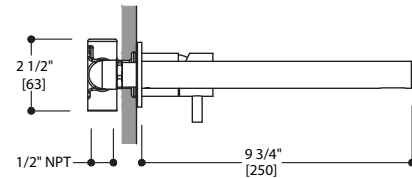
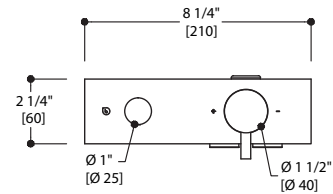
Install this product according to the installation guide.
Our products must be installed by certified professionals only and according to our installation guide as well as federal, provincial/state and local building codes and regulations.

CARE AND MAINTENANCE:

See Installation Manual

CODES / STANDARDS APPLICABLE:

- Meets or exceeds ANSI / ASME standard A112.18.1 and CAN / CSA B125.1-05 requirements
- Listed with IAPMO bearing the UPC / cUPC mark
- California AB1953 compliant
- Calgreen compliant
- ADA compliant



*Approximate measurements for comparison only.
Note: These dimensions and specifications are subject to change without notice.