

QSH-0030 SPECIFICATIONS

INOX wall-mount shower head + arm

FEATURES:

- Wall-mount adjustable 4" rainshower head
- Equipped with EcoAir technology, which uses external air mixed with water to provide a unique & pleasant shower jet experience while providing 50% water savings
- Modern, clean, elegant design
- 6¼" projection from wall
- Brass construction, ABS shower head
- Brushed stainless steel (-AS) finish as standard

SPECIFICATIONS:

| | |
|-------------|---|
| Warranty: | Lifetime Limited Warranty (Residential) One Year Warranty (Commercial) |
| Material: | Brass shower arm ABS shower head |
| Finishes: | PC: Powder Coat |
| Connection: | ½" NPT connection |
| Flow rate: | 1.8 gpm @ 60 PSI |

FINISH + COLOR (special order):

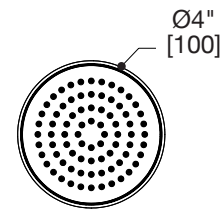
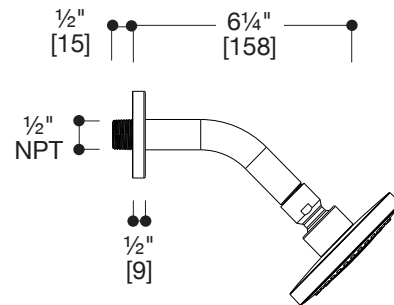
- matte black (PC) ● -MB

INSTALLATION:

Install this product according to the installation guide. Our products must be installed by certified professionals only and according to our installation guide as well as federal, provincial / state and local building codes and regulations.

CODES / STANDARDS APPLICABLE:

- Meets or exceeds ANSI / ASME standard
A112.18.1 and CAN / CSA B125.1-05 requirements
- ASME A112.19.2
- IAPMO / UPC / cUPC
- Calgreen compliant



*Approximate measurements for comparison only.
Note: These dimensions and specifications are subject to change without notice.