

F51V1-0600 SPECIFICATIONS

51 collection series 600 wall-mount vanity

FEATURES:

- Wall-mounted vanity with deep drawer + slim drawer insert
- Slim inner drawer designed for plumbing clearance
- Solid rust-free painted powder frame construction and drawer runners
- Hettich push/pull drawer opening system
- One continuous bracket along the backside for ease of installation: allows for easy retrofitting/hitting studs
- Stud backing rein for cement is recommended
- Wall mount design opens space and facilitates easy cleaning
- Made of IDROLEB ECOLOGICAL PANEL with the lowest formaldehyde emissions in the world
- IDROLEB also ensures defence against humidity
- Italian-crafted for superior quality
- Drawer organization available (sold separately)



SPECIFICATIONS:

Dimensions: (WHD) 23½" x 19" x 20¼"
(600mm x 480mm x 515mm)*

Shipping Dimensions (WHD) 28" x 23¼" x 24¼"
(815mm x 600mm x 615mm)*

Weight: 61.7lbs (28kg)*

Shipping Weight: 71.2lbs (32.3kg)*

Warranty: Five Year Limited Warranty (Residential)
One Year Warranty (Commercial)

COLORS/FINISHES:

A VANITY FRAME + DRAWER FRONT

Lacquer

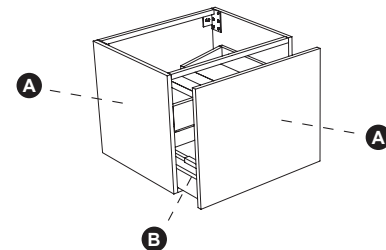
01M White Matte	01G White Gloss
-----------------------	-----------------------

stock

HST

K11 Seta	K12 Tabacco	K14 Onice	K16 Bianco	K18 Fumo
-------------	----------------	--------------	---------------	-------------

stock



MATERIALS:

A HST
Hard Surface Technology (HST) finishes offer extraordinary technical performance in terms of exceptional durability, extremely high resistance to scratches and chemicals, in addition to a beautiful aesthetic and tactile wood grain effect

Lacquer
Engineered wood (MDF) panel
IDROCARB

B Solid rust free powder coating
metal drawer
Hettich push/pull drawer opening system

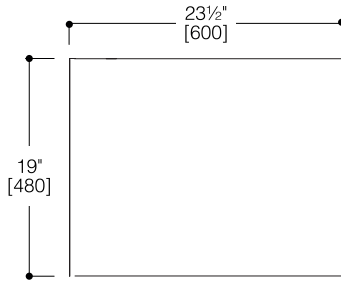
Drawer organization sold separately



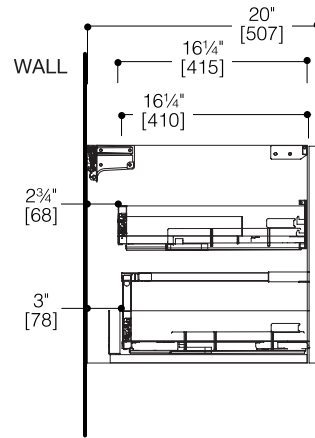
*Approximate measurements for comparison only.
Note: These dimensions and specifications are subject to change without notice.

F51V1-0600 SPECIFICATIONS

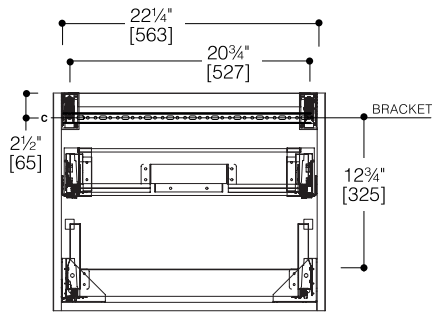
51 collection series 600 wall-mount vanity



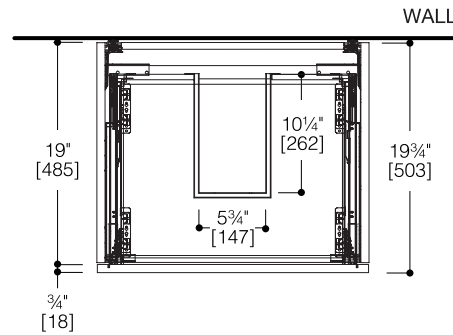
FRONT VIEW



SIDE VIEW



WALL DRILLING SCHEME FOR VANITY



TOP VIEW

INSTALLATION NOTES:

Install this product according to the installation guide. Our products must be installed by professionals only and according to our installation guide as well as federal, provincial / state and local building codes and regulations.