

blu·stone™ freestanding bathtub

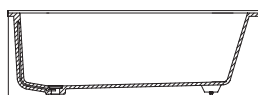
Installation Guide



BT0102.01
BT0104
BT0105



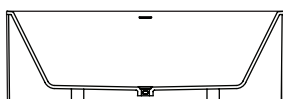
BT0305.02



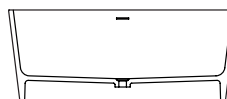
BT0110L
BT0110R



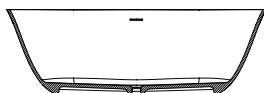
BT0305N15
BT0305N17



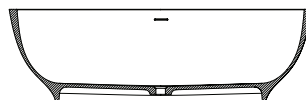
BT0203
BT0207



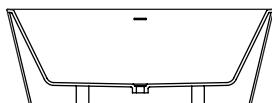
BT0402
BT0402.02



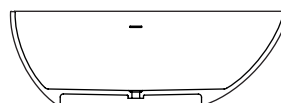
BT0402N16



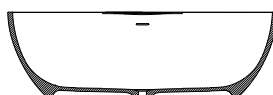
BT0402N17



BT0304
BT0304.01



BT0406
BT0406.01
BT0408
BT0408.02



BT0304N17

Attention — Before Installation

Thank you for choosing from among Blu's quality line of products. We recommend that you carefully read this installation guide to ensure your bathtub's proper operation and reliability for many years to come.

WARNING: This bathtub is made of a quartzite stone and resin. The tub's weight may vary between 300 and 440 lbs (140 and 200 kg). We recommend that the installation be done by a minimum of 2 people as a security precaution. Also make sure to adopt the proper posture when lifting the tub.

Adhere to all local building and plumbing codes. The diagrams in this guide are not construction plans. They are visual aids.

Installation Requirements

Please read the instructions carefully so as to avoid any damage to the fixture.

1. To ensure this product is installed properly, you must read and follow these guidelines.
2. The owner/user of the product must keep this information for future reference.
3. Consult local building codes to make sure the installation complies with standards.
4. Remove the unit from its packaging. Before disposing of it, inspect the unit to make sure its in good shape. Should inspection reveal any damage or defect in the finish, contact your distributor. The warranty does not cover damages or defects in the finish once it has been installed. Blu Bathworks' responsibility for shipping damages ceases upon delivery of the product in good order to the carrier. All complaints regarding damage due to transport must be made directly to the carrier.
5. Place the unit in the bathroom before you start working. Conserve all nuts and bolts.
6. To protect the unit during installation, we recommend that you lay a piece of cardboard on the bottom.
7. If the unit is covered with polyethylene protective film, do not remove until installation is complete to grant maximum protection. However, remove film where any two surfaces will be in permanent contact.
8. Make sure the bathroom floor is level and strong enough to support the weight of the water-filled bathtub. If you are renovating, bring down the walls to install framing and plumbing. Make sure the walls are properly insulated and comply with the appropriate building code.
9. Verify that all dimensions on the plan are the same as the ones of the unit.
10. If an apron is to be installed, make sure the bathtub is at the same height as the floor covering.

Installation Notes

Important! Install this product according to the installation guide. Floor support under bath must provide for a minimum of 1600 lbs (725kg). Hot water supply should be 70% of capacity or greater. Installation will vary.

Technical Support Assistance

If further assistance is required, please contact:

Product Support at 1.866.907.0122 (09:00 – 17:00hrs PST) or email technical@blubathworks.com

North America

Blu Bathworks Inc.

188 Smithe Street, Vancouver, BC, Canada, V6B 6A9

T +1.604.299.0122 F +1.604.299.0125

Please refer to blubathworks.com for warranty, terms & conditions under warranty & procedure for warranty service.

General Instruction before Installation

IMPORTANT: Ensure to check the bathtub for proper drainage before any draining is done.

- The bathtub is shipped with the waste and matching blu-stone™ drain cover.
- Blu recommends that the tub be water tested before installation is complete. Fill the tub to overflow and inspect for leaks.
- Decide exactly where you wish to install the bathtub and place the tub where it is to be installed and ensure the tub is level.
Note: Use 1½" (FIP) adaptor.
- Install the basic plumbing components: water inlet and waste. These tub models require a vertical plumbing connection from the floor.
- Shims may be required to level the tub depending on finish floor surfaces. Shims are not included. When adjusting the level allow a slight clearance (1/8") between the finished floor and the apron. **Note:** use a level to ensure accuracy.
- Connect the bathtub drain to the waste. Hook up the water to the faucet. Check that all connections are waterproof.

NOTE: The faucet cannot be installed on the bathtub. The tub filler must be mounted either in the wall or a freestanding floor-mounted tubfiller. Read the manufacturer's instructions for installation details.

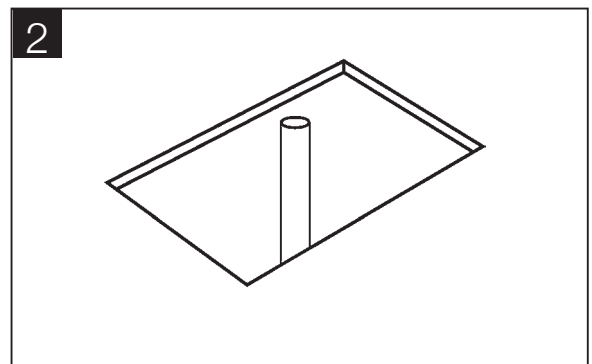
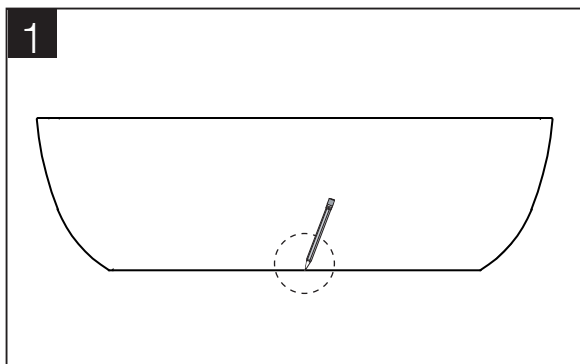
Installation Instructions

PREPARATION

- Clean, level, and prepare the floor for installation.
- Place the unit in the exact installed position on the floor and trace the outline of the bath with a pencil or any erasable marking. (Fig. 1)
- Determine the location of the drain pipe on the floor by taking measurements of the drain and waste location underneath the unit. (Fig. 2)

Note: Drain and waste locations will vary by model.

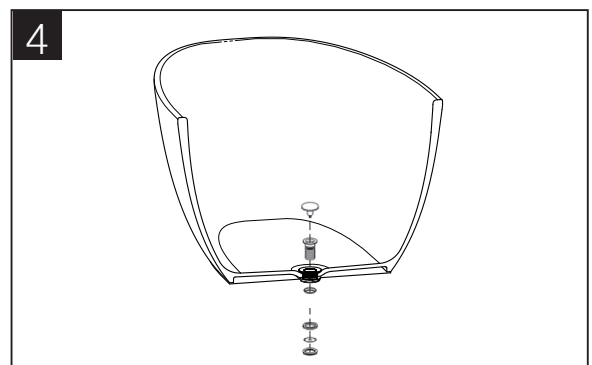
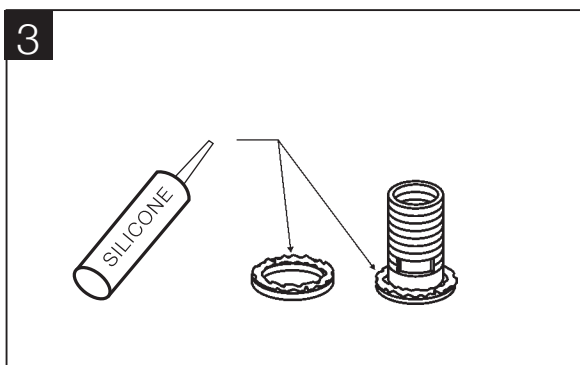
- Using a blanket, cardboard, or other clean protective surface, turn the unit on its side so that the unit is properly supported during drain installation.
- Clean the drain hole area in preparation of setting the drain. The area should be dry and free of any debris.



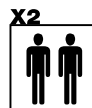
INSTALL DRAIN HARDWARE

- Apply a bead of clear silicone around the drain body and pass it through the drain hole. (Fig. 3)
- Apply silicone over the bottom of the drain body. (Fig. 4)
- Attach the drain body nut on the drain body and tighten until the nut and washer have created a seal with the bottom of the bathtub.

* DO NOT overtighten



- wear protection



- two people recommended

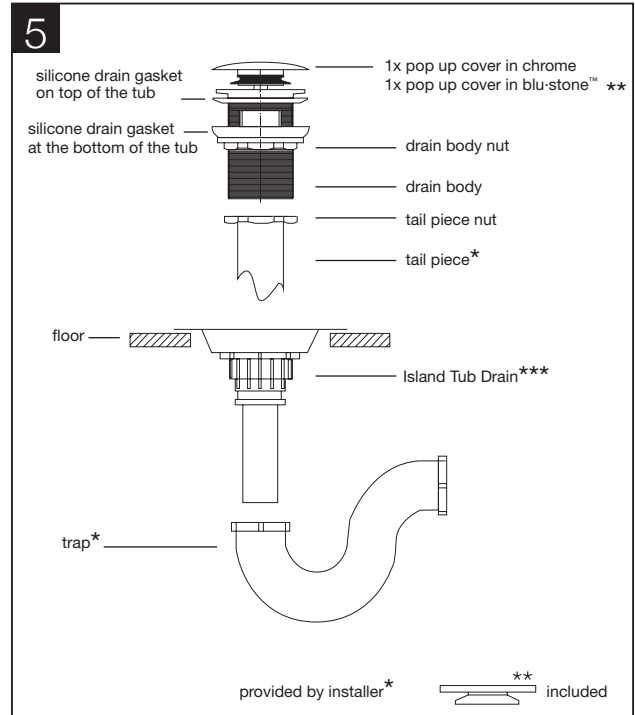
PREPARE THE TAIL PIECE

All parts involved in tail piece installation are provided by the installer (Fig. 5).

- Waste drain must always be installed according to local standard. Verify the placement of the bathtub before drilling the hole for the waste drain.
- Install 1 1/2" rubber slip gasket over the waste drain.
- Alternatively, Blu Bathworks recommends BTWaste.RN Island Tub Drain*** for easy installation of freestanding bathtubs. (Provided by customer)
- Cut tail piece to desired length (will vary for each installation)
- Slide tail piece nut over tail piece towards flanged end.
- Place flange washer on top of tail piece.
- Connect tail piece assembly to waste drain.

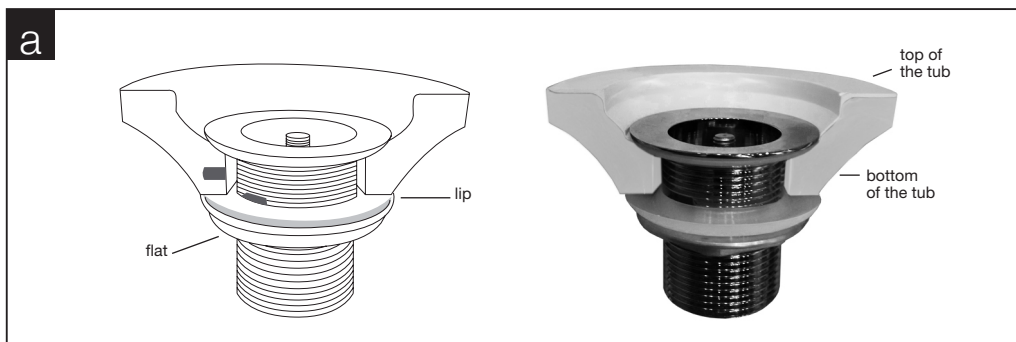
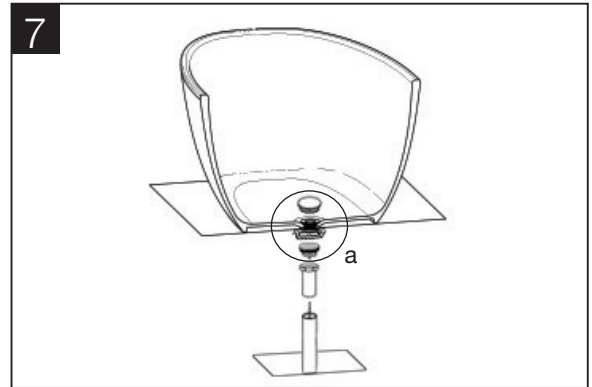
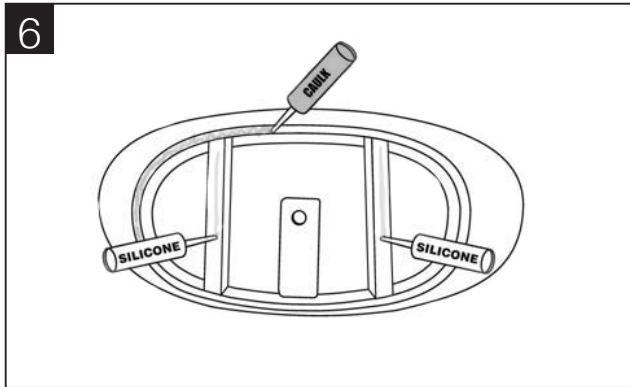
Island Tub Drain Installation ***

Refer to BTWaste.RN Installation Guide



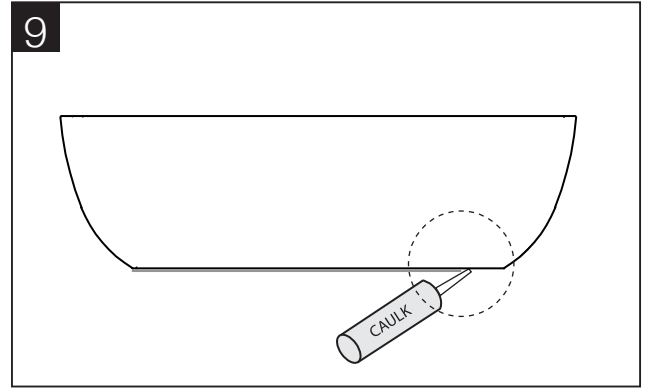
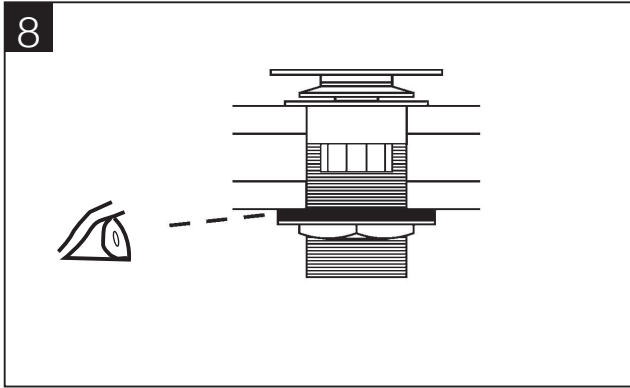
INSTALL BATHTUB

- Apply a generous bead of adhesive or silicone to the bottom of the tub supports. (Fig. 6)
- Apply a bead of tub and tile caulk around the edge of the base. (Fig. 6)
- Carefully set tub into position (Fig. 7) and connect the drain hardware (previously installed).
Finish the installation of the tail piece.



COMPLETE INSTALLATION

- Fill the tub with water to the overflow and then drain the tub while inspecting the waste connections below the floor for leaks. Access from below will be necessary for this step (Fig. 8).
- With the bathtub now in place, wipe off any excess tub and tile caulk and adhesive where the tub meets the floor.
- Run a bead of tub and tile caulk around the bottom edge of the bathtub where it meets the floor. Wipe off any excess caulk with a wet cloth (Fig. 9).



Note: This installation is recommended by Blu Bathworks. Our products must be installed by certified professionals only and according to our install recommendations as well as federal, provincial / state and local building codes and regulations.

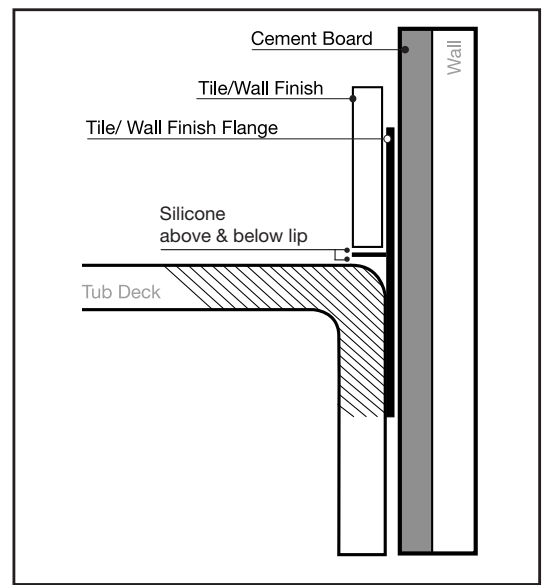
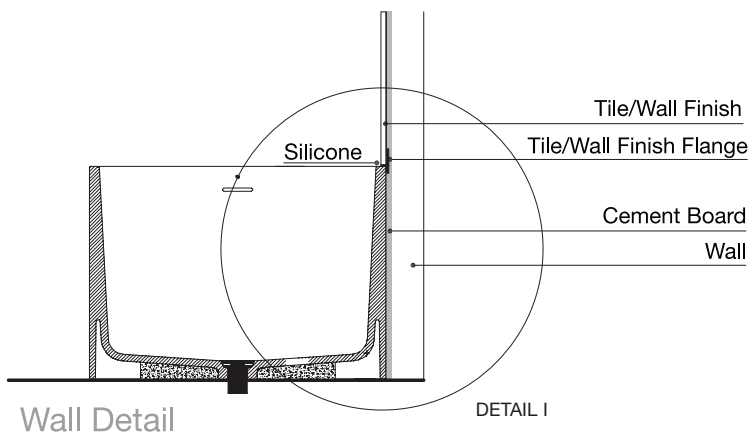
ALCOVE INSTALLATION USING TILE FLANGE

BT0102.01 · BT0110L/R · BT0104 · BT0105 · BT0203 · BT0207

In order to maintain the symmetry of these narrow rim tub models in an alcove installation, the following points & illustration are provided below.

1. Determine wall finish material and its thickness
2. Install tile flange on corner edge of bathtub using high density silicone above and below lip of TF.BTTSB tile flange as shown in Detail I (exploded)
3. Install bathtub
4. Install wall finish
5. Apply a clear silicone bead where the tub and wall finish meet at the flange location

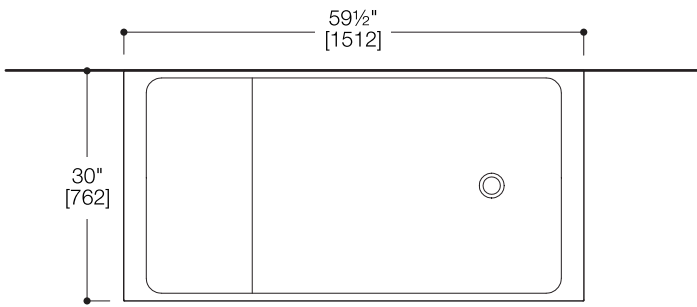
**Blu Bathworks recommends TF.BTTSB Tile Flange (Sold separately)



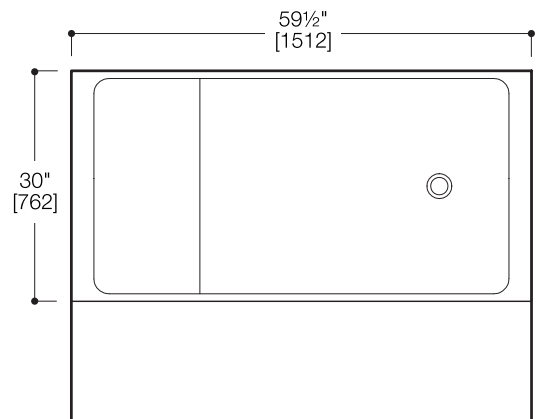
ALCOVE INSTALLATION EXAMPLES

BT0102.01 · BT0110L/R · BT0104 · BT0105

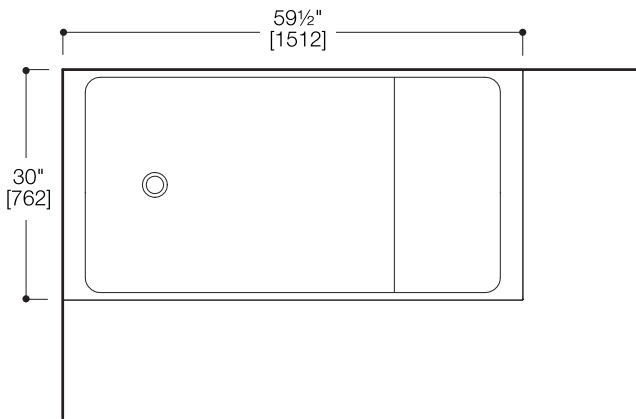
PENINSULAR



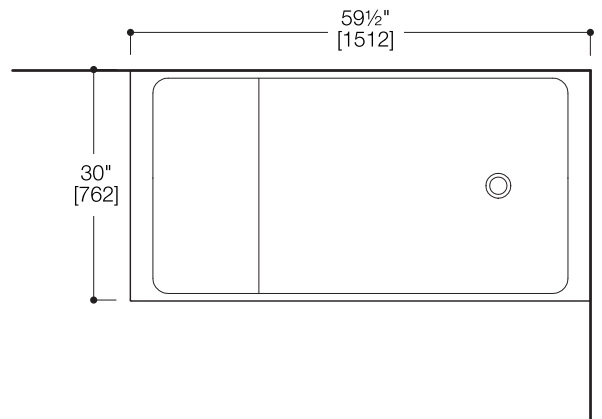
ALCOVE
(only BT0110L/R)



LEFT CORNER



RIGHT CORNER



blu-stone™ cleaning & repair guide

blu-stone™ is Blu Bathworks' signature eco-friendly stone collection; a durable, low maintenance and hygienic material that is high pressure injection molded, non-porous and anti-microbial. blu-stone™ products are stain, scratch and impact resistant, and easy to clean: after each use, simply wipe with a soft cloth to remove any surface dirt.

routine care

- Never expose blu-stone™ to petroleum based products, such as paint removers, oven cleaners or other solvents
(**Note:** personal hygiene products and cosmetics will NOT damage the surface)
- We recommend that stains are removed within 24 hours
- Do not directly cut on the blu-stone™ surface
- Blu Bathworks does not recommend exceeding US/ Canada maximum hot water temperature regulations of 150°F/65°C, respectively. Exceeding stated temperatures could result in damage to blu-stone™ products

standard cleaning

For standard cleaning of both gloss and matte finishes, we recommend using widely available cleaning products such as Mr. Clean, Fantastik, VIM, CIF etc. Matte finished products may occasionally require a mildly abrasive product.

blu-stone™ matte finish:

- For more difficult stains, use a mildly abrasive cream cleanser such as Soft Scrub, Comet Soft Cleanser, CIF or VIM

blu-stone™ gloss finish:

- Do not use abrasive products or cream cleansers

scratched or damaged surfaces

blu-stone™ matte finish:

- Ensure there is no surface dirt by flushing with water
- Rub the 600-grit sanding block, provided, in a gentle circular motion
- Higher grit sandpaper may be required to blend the repaired area to match the existing product finish

blu-stone™ gloss finish:

- Ensure there is no surface dirt by flushing with water
- We recommend sanding the area starting with 600, 800 and 1200-grit sandpaper: begin with the lower number (coarser) grit followed with each higher number (finer) in ascending order
- Finish by polishing the surface using a cloth and white polishing compound for automobiles

repairs

For more extensive repairs, send a photograph of your blu-stone™ product to Blu Customer Service (technical@blubathworks.com), who will inform you as to the most appropriate methods to use.

limited warranty

Blu Bathworks' ("Blu") warranty on blu-stone™ products covers all defects in materials and manufacturing for a period of five (5) years from the date of purchase. This limited warranty, starting on the original purchase date, is only offered to the original purchaser who acquires the product directly from Blu or from its authorized dealers. This limited warranty does not apply to cases in which a product was incorrectly installed, nor to damage due to negligence, misuse, thermal shocks, cigarettes, flames, natural catastrophes or other accidents. Blu is not responsible for costs and claims that may arise from purchase of a product unsuited to the structure of the existing building. Any transformation or alteration made to a Blu product automatically voids the warranty. Blu's warranty is limited to repair or replacement (with a product of equal value), provided the claim is made to an authorized dealer or directly to Blu, within the warranty period. Labor costs and any other expenses entailed by replacement of a Blu product are not covered by the warranty.