

SA0507 SPECIFICATIONS

halo blu-stone™ freestanding basin



FEATURES:

- Cylindrical freestanding pedestal basin
- Modern freestanding design with integral slot overflow and matching blu-stone™ waste cover
- Made of blu-stone™ providing the look and feel of natural stone
- Stronger and more durable than ceramic
- Non-porous, stain resistant surface that does not require sealing
- Does not promote bacteria, mold or fungi

SPECIFICATIONS:

Drain hole: Ø1¾" (45mm)
 Size: 22" DIA (560mm)*
 Height: 32¾" (830mm)*
 Warranty: Five Year Warranty (Residential use)
 One Year Warranty (Commercial use)

Material: blu-stone™
 Shipping Weight: 116lbs (53kg)
 Shipping Dimensions: (LWH) 23½" x 23½" x 35½"
 (600mm x 600mm x 900mm)

COLORS / FINISHES:

White matte as standard
 Gloss and embossed finishes & colors available (Tier 1/ Custom)

ACCESSORIES (sold separately):

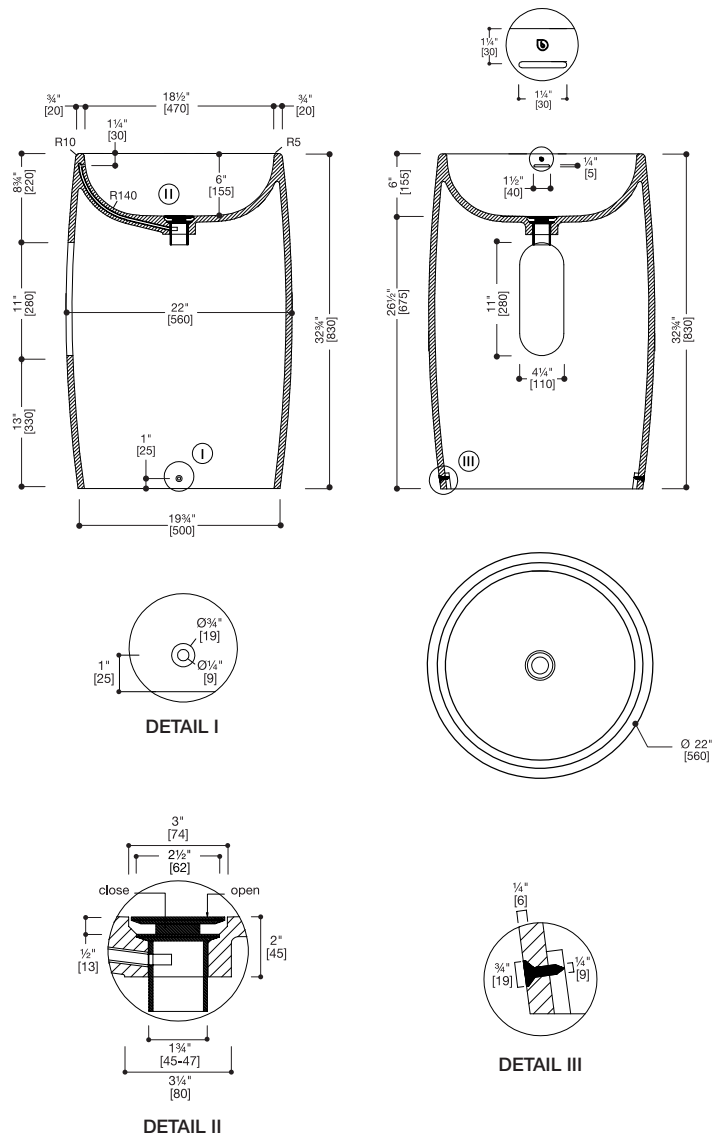
- Recommend TW121 or TW121-S push button waste
- blu-stone™ waste cover included

INSTALLATION NOTES:

Install this product according to the installation guide. Our products must be installed by certified professionals only and according to our installation guide as well as federal, provincial / state and local building codes and regulations. Product has an overflow. Spout must provide a minimum of 5" reach for adequate clearance into basin.

CODES / STANDARDS APPLICABLE:

- ASME A112.19.2
- IAPMO / cUPC
- ICC / ANSI A117.1
- CSA B 45
- Fixture dimensions and hydraulic performance meet or exceed ANSI / ASME standard A112.19.2, A112.19.9M and CAN / CSA B 45 requirements.



*Approximate measurements for comparison only.
Note: These dimensions and specifications are subject to change without notice.