

# SA0505 SPECIFICATIONS

## coco blu-stone™ freestanding basin

### FEATURES:

- Cylindrical freestanding pedestal basin
- Modern design with integral slot overflow & matching blu-stone™ waste cover
- Includes removable concealed drain plate
- Made of blu-stone™ providing the look and feel of natural stone
- Stronger and more durable than ceramic
- Non-porous, stain resistant surface that does not require sealing
- Does not promote bacteria, mold or fungi

### SPECIFICATIONS:

|                      |  |
|----------------------|--|
| Drain hole:          | Ø1¾" (Ø45mm)*  |
| Size:                | 17¾" DIA (450mm)*  |
| Height:              | 32¾" (830mm)   |
| Warranty:            | Five Year Warranty (Residential use)<br>One Year Warranty (Commercial use) |
| Material:            | blu-stone™   |
| Shipping Weight:     | 100lbs (45kg)  |
| Shipping Dimensions: | (LWH) 19¾" x 19¾" x 34¾"<br>(500mm x 500mm x 880mm)                        |

### COLORS / FINISHES:

White Matte as standard  
Gloss and embossed finishes & custom colors available (Tier 1/ Custom)

### ACCESSORIES:

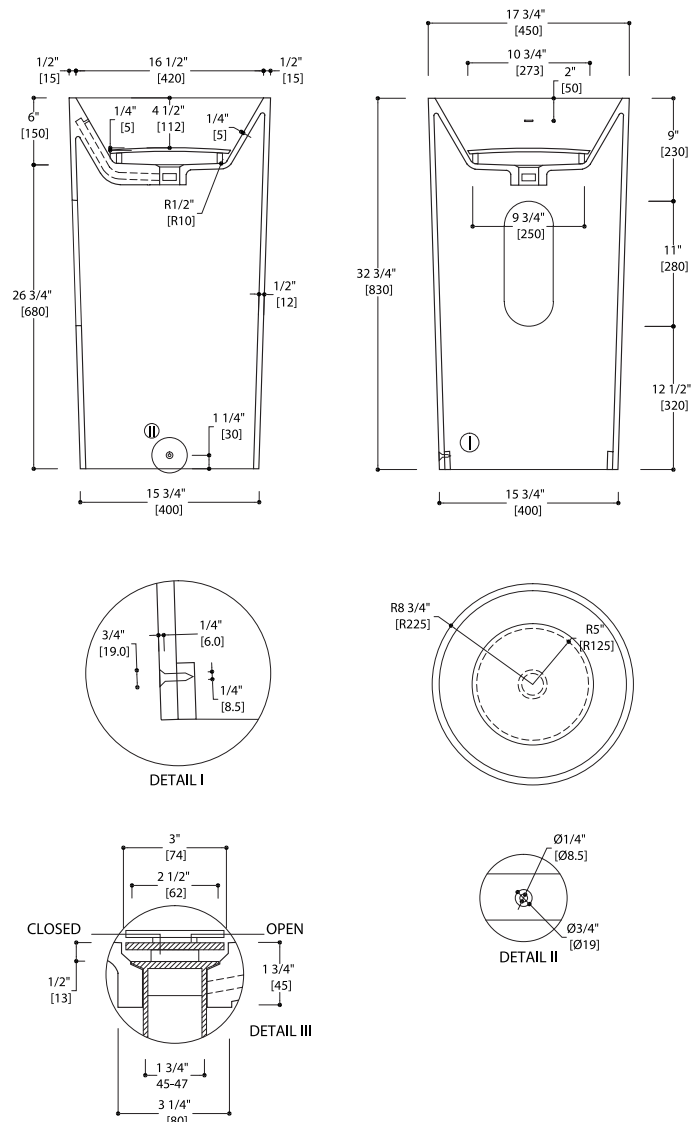
Recommend TW121 or TW121-S push button waste (sold separately)  
blu-stone™ waste cover included

### INSTALLATION NOTES:

Install this product according to the installation guide.  
Our products must be installed by certified professionals only and according to our installation guide as well as federal, provincial / state and local building codes and regulations.  
Product has an overflow. Spout must provide a minimum of 5" reach for adequate clearance into basin.

### CODES / STANDARDS APPLICABLE:

- ASME A112.19.2
- IAPMO / cUPC
- ICC / ANSI A117.1
- CSA B 45
- Fixture dimensions and hydraulic performance meet or exceed ANSI / ASME standard A112.19.2, A112.19.9M and CAN / CSA B 45 requirements.



\*Approximate measurements for comparison only.  
**Note:** These dimensions and specifications are subject to change without notice.