

SA0504 SPECIFICATIONS

metrix blu-stone™ freestanding basin

FEATURES:

- Square freestanding pedestal basin
- Modern design with integral slot overflow & matching blu-stone™ waste cover
- Includes removable concealed drain plate
- Made of blu-stone™ providing the look and feel of natural stone
- Stronger and more durable than ceramic
- Non-porous, stain resistant surface that does not require sealing
- Does not promote bacteria, mold or fungi

SPECIFICATIONS:

Drain hole:	Ø1¼" (Ø45mm)*
Size:	17¾" x 17¾" (450mm x 450mm)*
Height:	32¾" (830mm)
Warranty:	Five Year Warranty (Residential use) One Year Warranty (Commercial use)
Material:	blu-stone™
Shipping Weight:	121lbs (55kg)
Shipping Dimensions:	(LWH) 19¾" x 19¾" x 34¾" (500mm x 500mm x 880mm)

COLORS / FINISHES:

- White Matte as standard
- Gloss and embossed finishes & custom colors available (Tier 1/ Custom)

ACCESSORIES:

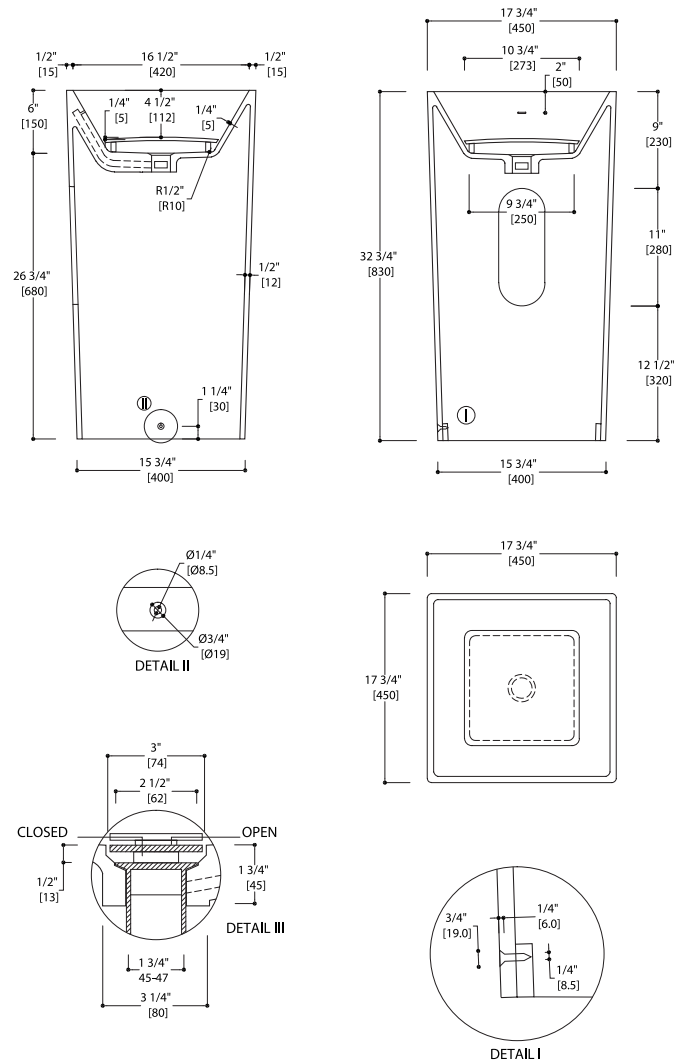
- Recommend TW121 or TW121-S push button waste (sold separately)
- blu-stone™ waste cover included

INSTALLATION NOTES:

Install this product according to the installation guide. Our products must be installed by certified professionals only and according to our installation guide as well as federal, provincial / state and local building codes and regulations. Product has an overflow. Spout must provide a minimum of 5" reach for adequate clearance into basin.

CODES / STANDARDS APPLICABLE:

- ASME A112.19.2
- IAPMO / cUPC
- ICC / ANSI A117.1
- CSA B 45
- Fixture dimensions and hydraulic performance meet or exceed ANSI / ASME standard A112.19.2, A112.19.9M and CAN / CSA B 45 requirements.



*Approximate measurements for comparison only.
Note: These dimensions and specifications are subject to change without notice.