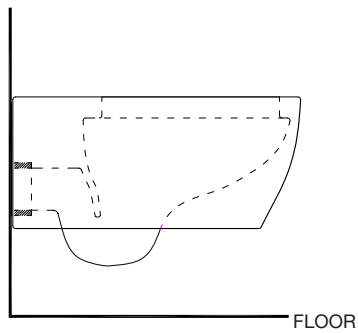
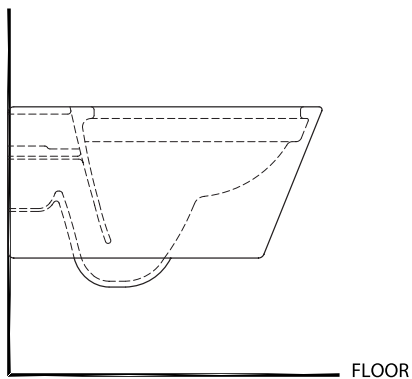


Wall-Mount Toilet

Installation Guide



LW6020A



LW6030A

Attention — Before Installation

If you are installing this product in a new construction or remodel, please make sure you are following all local plumbing and building codes. Carefully unpack and examine your new fixture for damage. To help insure that the installation process will proceed smoothly and correctly, please read these instructions carefully before you begin.

- We recommend that the installation be done by a minimum of 2 people as a security precaution. Also make sure to adopt the proper posture when lifting the basin.
 - Adhere to all local building and plumbing codes. The diagrams in this guide are not construction plans. They are visual aids.
1. Inspect this product to ensure you have all parts as shown that are required for proper installation. Blu recommends that the installer refer to the *Geberit toilet system installation and maintenance instructions*.
 2. Read this entire instruction sheet to ensure proper installation.
 3. Compliance and conformity to local building codes and ordinances is the responsibility of the installer.
 4. Compliance and conformity to local fire codes and ordinances is the responsibility of the installer.
 5. Purge all the water supply lines before making connections.

Installation Requirements

Please read the instructions carefully so as to avoid any damage to the fixture.

1. To ensure this product is installed properly, you must read and follow these guidelines.
2. The owner/user of the product must keep this information for future reference.
3. Consult local building codes to make sure the installation complies with standards.
4. Remove the unit from its packaging. Before disposing of it, inspect the unit to make sure its in good shape. Should inspection reveal any damage or defect in the finish, contact your distributor. The warranty does not cover damages or defects in the finish once it has been installed. Blu Bathworks' responsibility for shipping damages ceases upon delivery of the product in good order to the carrier. All complaints regarding damage due to transport must be made directly to the carrier.
5. Place the unit in the bathroom before you start working. Conserve all nuts and bolts.
6. To protect the unit during installation, we recommend that you lay a piece of cardboard on the bottom.
7. If the unit is covered with polyethylene protective film, do not remove until installation is complete to grant maximum protection. However, remove film where any two surfaces will be in permanent contact.
8. Verify that all dimensions on the plan are the same as the ones of the unit.
9. For use on installations with vertical discharge only. **DO NOT CUT DISCHARGE PIPE.**
10. 3" DWV vertical waste line connection.
11. Water supply will be ½" copper, recommended water pressure from 25 PSI to 90 PSI.
12. Materials suitable for wall construction include Gypsum-green board, cement board, or tile backer board. Wall thickness not to exceed 2".
13. When installing remote actuator, use of access panel kit Geberit 461.043.00.1 or 115.767.11.1 is recommended.
14. When mounting bowl on tile or marble, use of a tile cushion pad Geberit 156.055.00.1 is recommended.
15. All installations must conform to local and national plumbing, building and fire codes.
16. Inspect this product to assure you have all parts required for proper installation.
17. Do NOT use putty during this installation.

Cleaners for Fittings and Accessories

To avoid damaging the surface and working components of the fittings, certain precautions must be taken in terms of usage and subsequent cleaning as many cleaning agents contain acids for general cleaning and removing calcium deposits. When caring for your fittings and accessories, please note the following:

- Only apply cleaners which are expressly intended for the use
- Never use any cleaner containing hydrochloric acid, formic acid or acetic acid on or near the fitting, as they can cause considerable damage even with just one application
- Do not use cleaners containing phosphoric acid
- Do not use cleaners containing chlorine bleach solutions
- Never mix or combine cleaning agents
- Abrasive cleaners and unsuitable scouring agents such as scouring pads.

Installation Notes

Important! Install this product according to the installation guide. Our products must be installed by certified professionals only and according to our installation guide as well as federal, provincial / state and local building codes and regulations.

Technical Support Assistance

If further assistance is required, please contact:

Product Support at 1.866.907.0122 (09:00 – 17:00hrs PST) or email technical@blubathworks.com

North America

Blu Bathworks Inc.

188 Smithe Street, Vancouver, BC, Canada, V6B 6A9

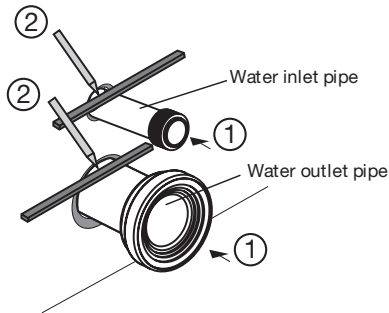
T +1.604.299.0122 F +1.604.299.0125

Please refer to blubathworks.com for warranty, terms & conditions under warranty & procedure for warranty service.

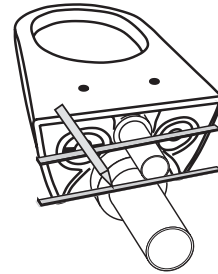
Installation Instructions for Wall-mount Toilet LW6020A · LW6030A

1 Decide the Size of Drainage Pipe

Insert discharge pipe into the pipe hub in the wall. Place a straight edge flush against the wall and mark a line on the pipe. Fit finned rubber seal onto flush pipe. Repeat same procedure for discharge pipe.

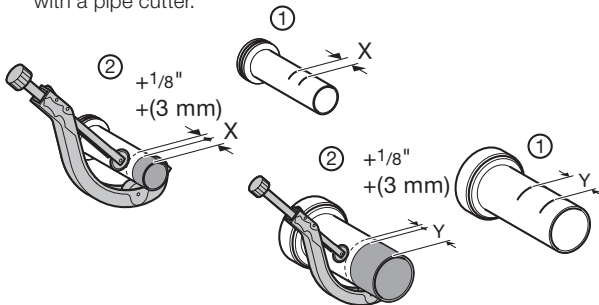


Place discharge pipe with gasket into waste outlet of bowl. Also place flush pipe with fin gasket into inlet of bowl. Then mark a second line on both pipes.

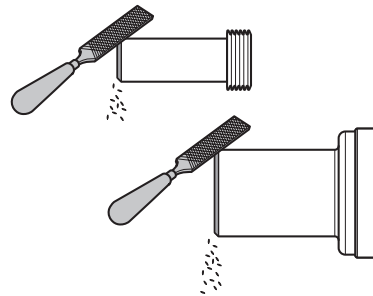


Add dimension X and $\frac{1}{8}$ ". Using that dimension, mark a line on the pipe measuring from the hub side. Cut off the pipe at the line with a pipe cutter.

Add dimension Y and $\frac{1}{8}$ ". Using that dimension, mark a line on the pipe measuring from the hub side. Cut off the pipe at the line with a pipe cutter.

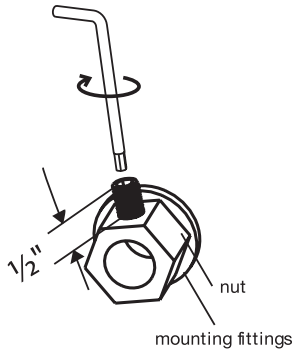


Bevel the sharp edges as shown to ensure a smooth insertion into the pipe hubs in the wall.

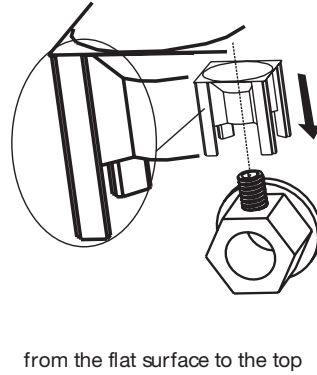


2 Install the connecting bolt

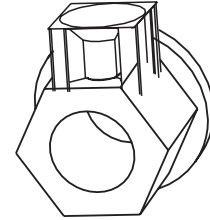
a). Use hexagonal key to screw the conical nut into mounting fittings.



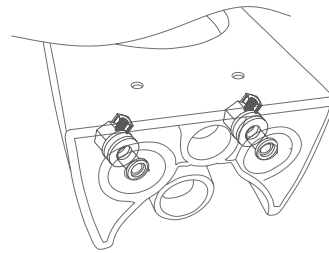
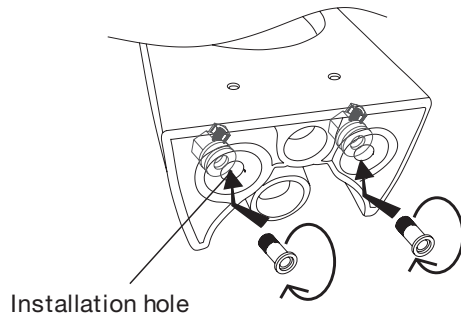
b). Insert the auxiliary part into the aiming screw by pushing the part to the top from its flat surface.



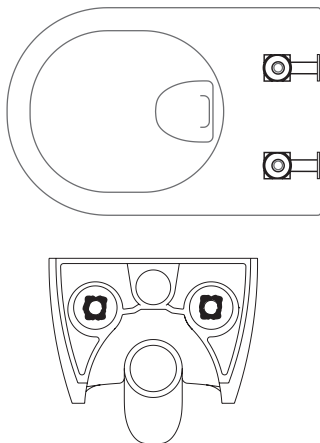
c). the auxiliary part is totally inserted into the aiming screw.



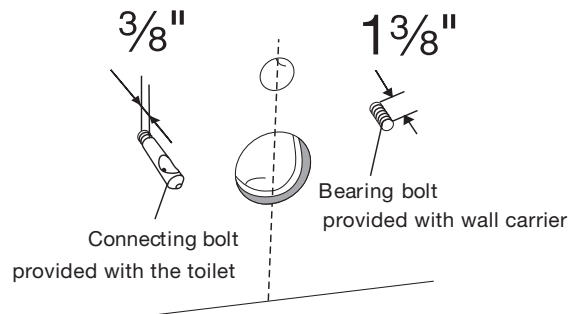
d). Put the mounting fittings into the installation hole on toilet.



e). Turn the toilet and make the installation hole vertically upside. The leg side of screw should lock the fixed position on back side of toilet.

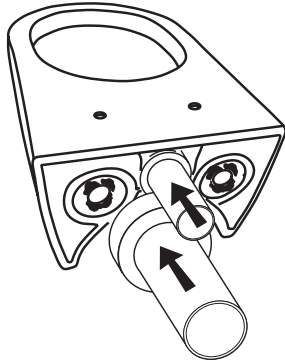


f). Adjust the position of bearing bolt well and screw it into the connecting bolt

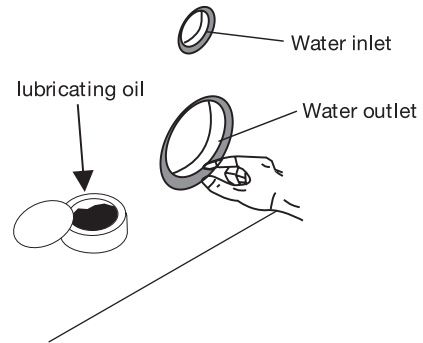


3 Installation of Toilet Pan

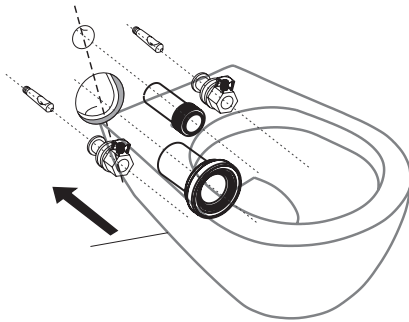
a). Insert the connecting pipe into the pan.



b). Spread lubricating oil on the joint area between connection pipe and water inlet & outlet to make the connection more smooth.

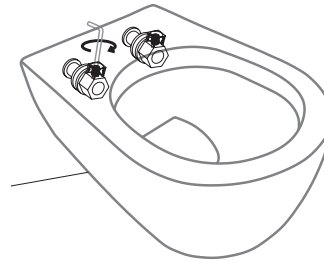


c). Install the toilet and point it accurately into the water inlet and outlet: make sure that the installation hole passes through the connecting bolt and push the bolt into the hole until it touches the wall.



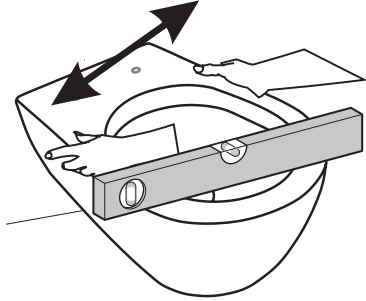
d). Fasten the set screw through the installation hole of the toilet cover by the Allen key provided.

*Tighten both sides evenly

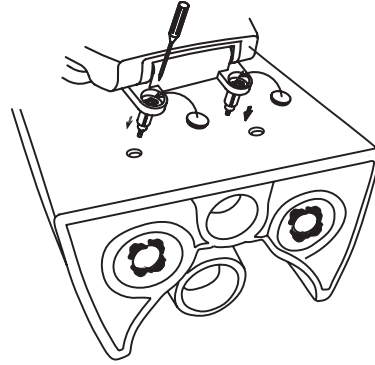


3 Installation of Toilet Pan continued...

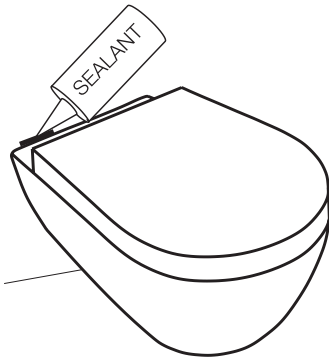
e). Level the toilet before tightening it.
(Max 7 Nm) using a torque wrench



f). Install the toilet seat & cover according to the Instruction provided by toilet seat & cover installation.

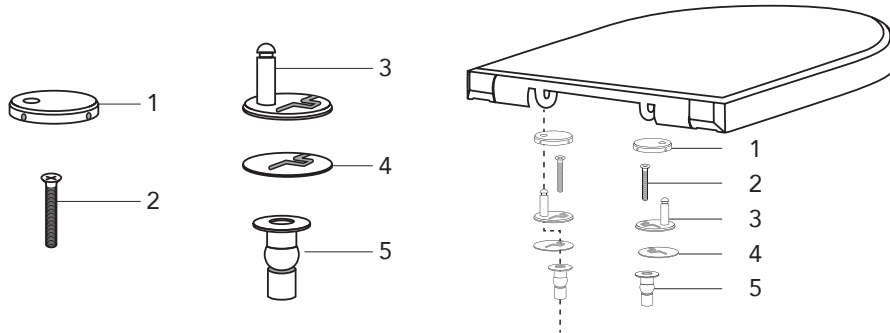


g). Apply water proof sealant between the toilet and wall.

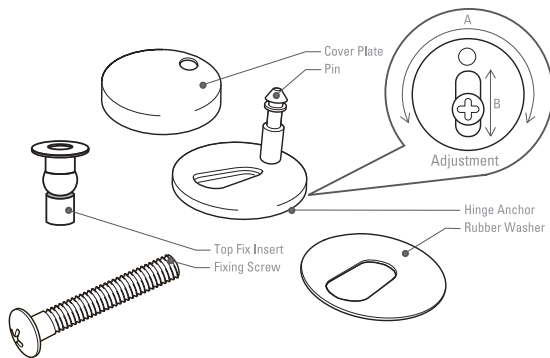


Toilet Seat Installation Instructions

LSeat-004 · LSeat-slim

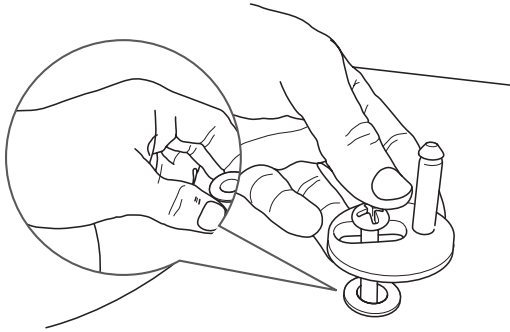


Hinge Adjustment



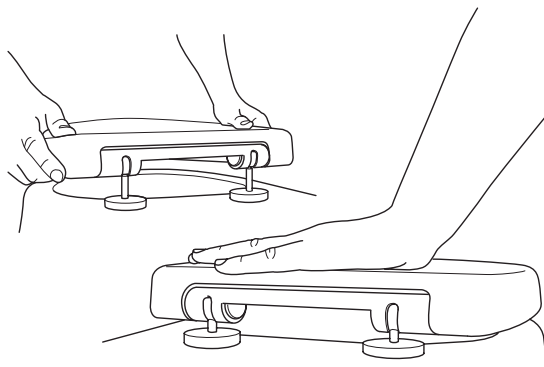
Maximum adjustment of the pin position is achieved by rotating the hinge anchor around the screw (adjustment A in the parts diagram above.) Further fine adjustment of the pin position can be achieved by sliding the screw in the adjustment plate (adjustment B).

1 Fixing the Hinge Anchor



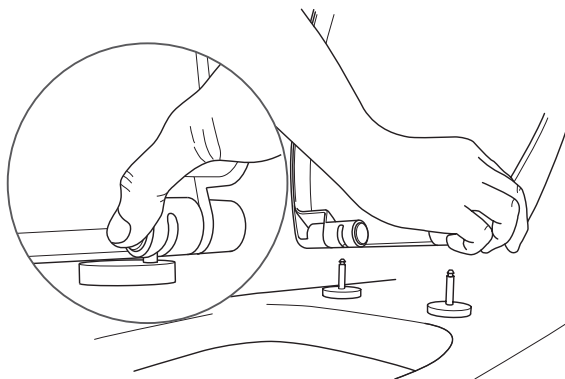
- Place the Top Fix Inserts into the fixing holes in the toilet pan. Insert the screws within the Hinge Anchors as shown and begin to tighten the screws until they are loosely secured to allow for adjustment of the seat on the pan.

2 Fitting the Seat



- Align and insert the pins into the seat hinge sockets and firmly press down until you hear them 'click' into position. Adjust the hinge anchors to make sure the seat lines up with the edges of the toilet pan.
- When you are satisfied the seat is in the correct position, remove the seat from the hinge anchors (see step 3) and fully tighten the screw in the Top Fix Insert (shown in step 1). Place the Cover Plates over the Hinge Anchors.
- Replace the seat and click into position.

3 Quick-Release Mechanism



- This toilet seat is designed for quick and easy removal when cleaning the toilet pan. To activate the quick release lift the lid, seat up and press the button in the centre of the hinges and lift.
- To replace the seat, align the sockets with the pin and firmly press into position.
- Seat is designed to activate the quick release with NO BUTTON. To release, lift lid and seat up, then pull up.

Toilet Seat Maintenance

- Wipe the toilet seat with a soft wet cloth
- Clean the toilet seat with a neutral cleanser, and then dry it with a clean cloth

Caution

- Do not stand on the lid or ring of your toilet seat
- Do not use any abrasive cleaning agents
- Keep toilet seat away from chemicals and cosmetics
- Please do not close the seat or cover forcibly to extend the soft-close function lifespan.
- Please do not clean the seat or cover with strong chemical cleansers or scouring brushes to avoid harming the seat & cover

LW6020A

