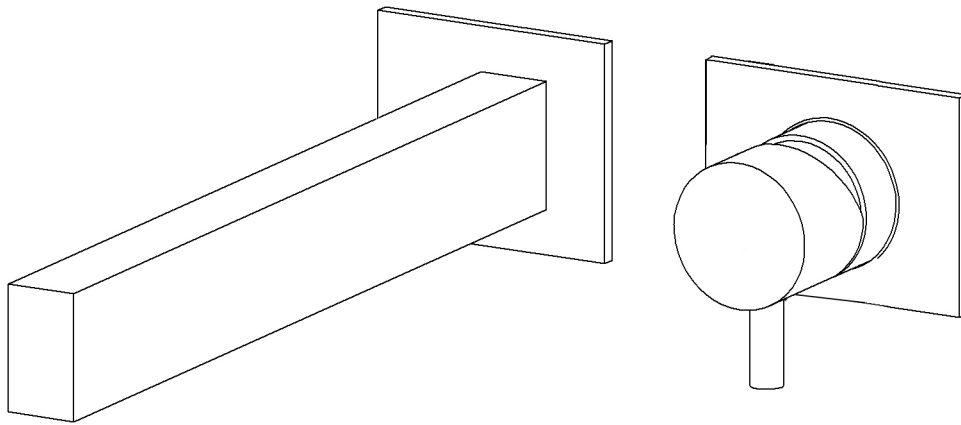


In-wall Basin Mixer

Installation Guide



TSU211.01

Attention – Before Installation

1. Inspect this product to ensure you have all parts as shown that are required for proper installation.
2. The valve cartridge has been factory tested and adjusted – DO NOT TAKE THE CARTRIDGE APART. Taking the cartridge apart will void the warranty.
3. Ensure that both hot and cold water feeds are properly connected to the marked lav connecting.
4. This product must be installed by a professional contractor.
5. Refer to the specification and assembly drawings attached for installation directions.
6. Flow Pressure –Min. 25 PSI, Max. 80 PSI. Recommended pressure – 50 to 60 PSI.

Installation Requirements

Please read the instructions carefully so as to avoid any damage to the fixture.

1. To ensure this product is installed properly, you must read and follow these guidelines.
2. The owner/user of the faucet must keep this information for future reference.
3. Be sure your installation conforms to local codes.
4. Refer to the specification and assembly drawings attached. Faucet is sold partially assembled but shown fully disassembled for illustrative and service purposes only.
5. Inspect this product to ensure you have all parts required for proper installation.
6. Use only a strap wrench or protected/smooth-jaw wrench on any finished surface.
7. If possible, install the faucet assembly on the sink or mounting surface before setting.
8. Do NOT use putty during this installation.

Cleaners For Fittings And Accessories

To avoid damaging the surface and working components of the fittings, certain precautions must be taken in terms of usage and subsequent cleaning as many cleaning agents contain acids for general cleaning and removing calcium deposits. When caring for your fittings and accessories, please note the following:

- Only apply cleaners which are expressly intended for the use
- Never use any cleaner containing hydrochloric acid, formic acid or acetic acid on or near the fitting, as they can cause considerable damage
- Do not use cleaners containing phosphoric acid
- Do not use cleaners containing chlorine bleach solutions
- Never mix or combine cleaning agents
- Abrasive cleaners and unsuitable scouring agents such as scouring pads

Technical Support Assistance

If further assistance is required, please contact:

Product Support at 1.866.907.0122 (09:00 – 17:00hrs PST) or email technical@blubathworks.com

North America

Blu Bathworks Inc.

188 Smithe Street, Vancouver, BC, Canada, V6B 6A9

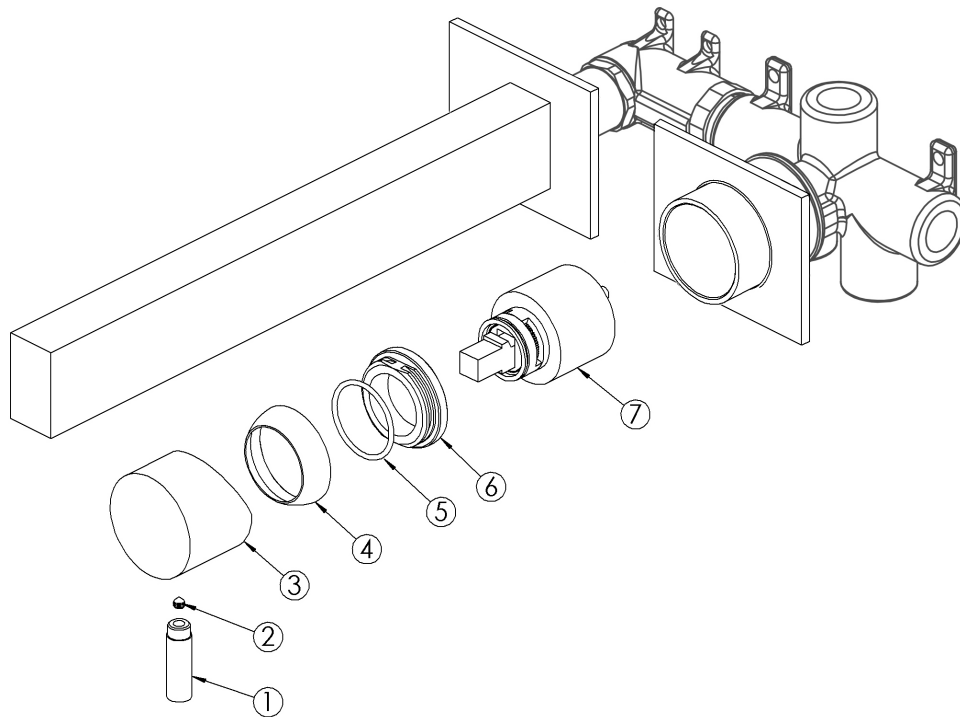
T +1.604.299.0122 F +1.604.299.0125

Please refer to blubathworks.com for warranty, terms & conditions under warranty & procedure for warranty service.

CARTRIDGE CHANGE

Through years of use impurities and limescale could damage the cartridge. To replace it, reference the following instruction.

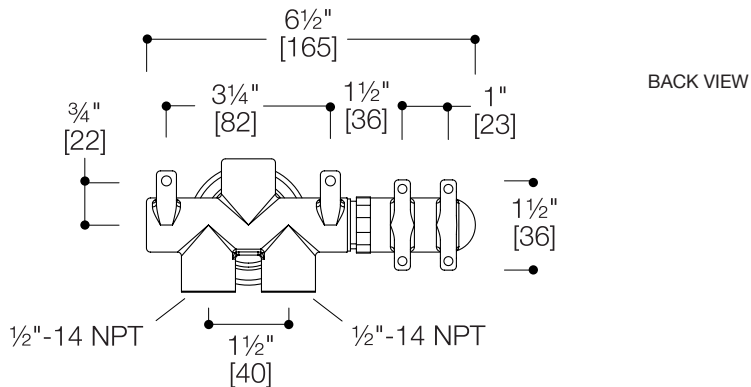
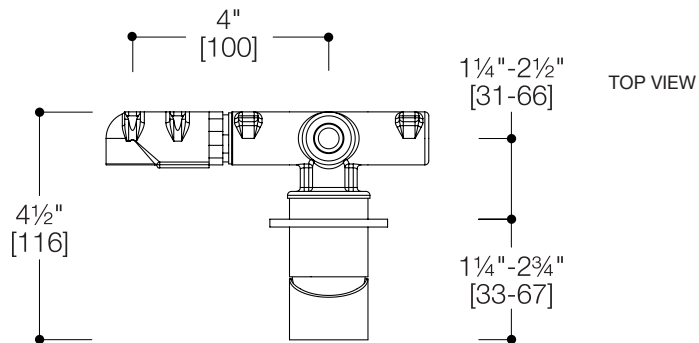
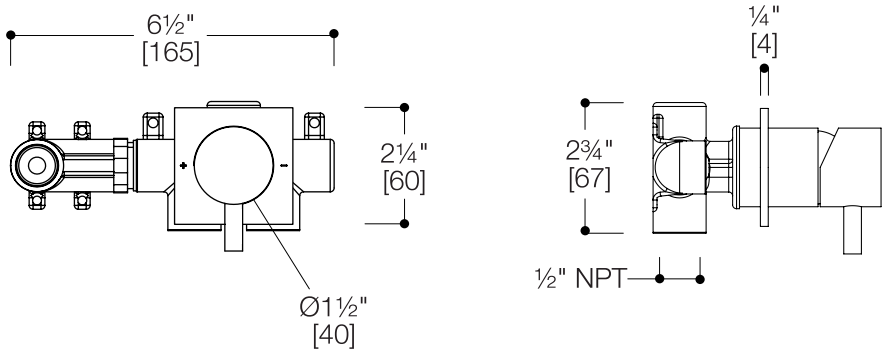
- Shut off water supply to both inlets
- Remove the control lever (1), remove the screw (2), take off the control handle (3) and pull out the cup (4).
- Pay attention not to lose the O-ring (5).
- Unscrew the flange (6) using 30mm/1¹/₆" spanner. Remove the cartridge (7).
- Before re-assembling cartridge (7) clean its housing with wet cloth.
- Re-assembling the flange (6).
- Place the O-ring (5) and re-fit the cap (4).
- Re-fit the control knob (3) and fix it with the grub screw (2).
- Re-fit the lever (1).



IMPORTANT

In case of reduction of flow rate, dismantle the aerator and clean the filter inside or change it.

TSU211.01



TSU211.01

