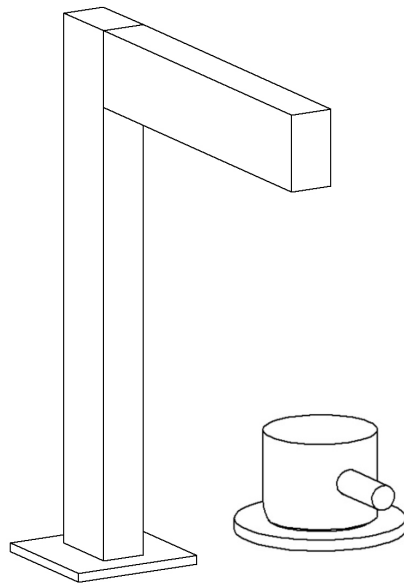


Deck Mounted Basin Mixer

Installation Guide



TSU131.01

Attention – Before Installation

1. Inspect this product to ensure you have all parts as shown that are required for proper installation.
2. The valve cartridge has been factory tested and adjusted – DO NOT TAKE THE CARTRIDGE APART.
Taking the cartridge apart will void the warranty.
3. Ensure that both hot and cold water feeds are properly connected to the marked lav connecting.
4. This product must be installed by a professional contractor.
5. Refer to the specification and assembly drawings attached for installation directions.
6. Flow Pressure –Min. 25 PSI, Max. 80 PSI. Recommended pressure – 50 to 60 PSI.

Installation Requirements

Please read the instructions carefully so as to avoid any damage to the fixture.

1. To ensure this product is installed properly, you must read and follow these guidelines.
2. The owner/user of the faucet must keep this information for future reference.
3. Be sure your installation conforms to local codes.
4. Refer to the specification and assembly drawings attached. Faucet is sold partially assembled but shown fully disassembled for illustrative and service purposes only.
5. Inspect this product to ensure you have all parts required for proper installation.
6. Use only a strap wrench or protected/smooth-jaw wrench on any finished surface.
7. If possible, install the faucet assembly on the sink or mounting surface before setting.
8. Do NOT use putty during this installation.

Cleaners For Fittings And Accessories

To avoid damaging the surface and working components of the fittings, certain precautions must be taken in terms of usage and subsequent cleaning as many cleaning agents contain acids for general cleaning and removing calcium deposits. When caring for your fittings and accessories, please note the following:

- Only apply cleaners which are expressly intended for the use
- Never use any cleaner containing hydrochloric acid, formic acid or acetic acid on or near the fitting, as they can cause considerable damage
- Do not use cleaners containing phosphoric acid
- Do not use cleaners containing chlorine bleach solutions
- Never mix or combine cleaning agents
- Abrasive cleaners and unsuitable scouring agents such as scouring pads

Technical Support Assistance

If further assistance is required, please contact:

Product Support at 1.866.907.0122 (09:00 – 17:00hrs PST) or email technical@blubathworks.com

North America

Blu Bathworks Inc.

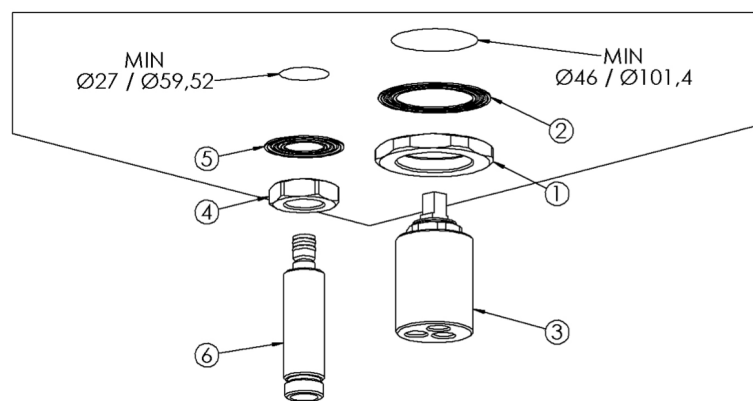
188 Smithe Street, Vancouver, BC, Canada, V6B 6A9

T +1.604.299.0122 F +1.604.299.0125

Please refer to blubathworks.com for warranty, terms & conditions under warranty & procedure for warranty service.

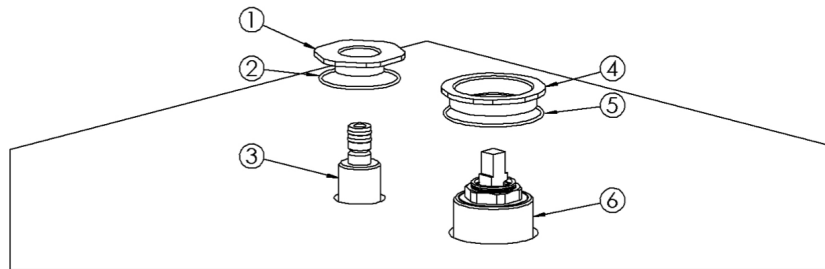
INSTALLATION STEP 1

- Before installation drill two holes, $\text{Ø}27\text{mm} / \text{Ø}1''$ for the spout and $\text{Ø}46\text{mm} / \text{Ø}1\frac{4}{5}''$ for the body mixer.
- Screw the nut (1) on the body mixer (3) and place the metal ring (2).
- Screw the nut (4) on the threaded rod (6) and place the small metal ring (5).

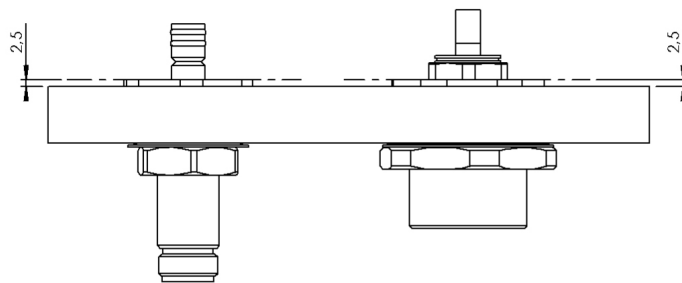


INSTALLATION STEP 2

- Position the O-ring (2) in its site on the nut (1).
- Screw the nut (1), as per drawing (A), on the threaded rod (3).
- Place the O-ring (4) on its site on the nut (5).
- Screw the nut (5), as shown in the drawing (A), on the mixer body (6).
- Once the correct position of the rings is reached, tighten the nuts located under the wash basin mixer to fix the rod and the mixer body.

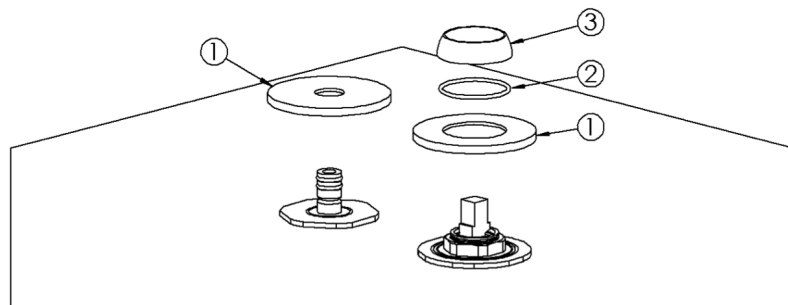


- (A)



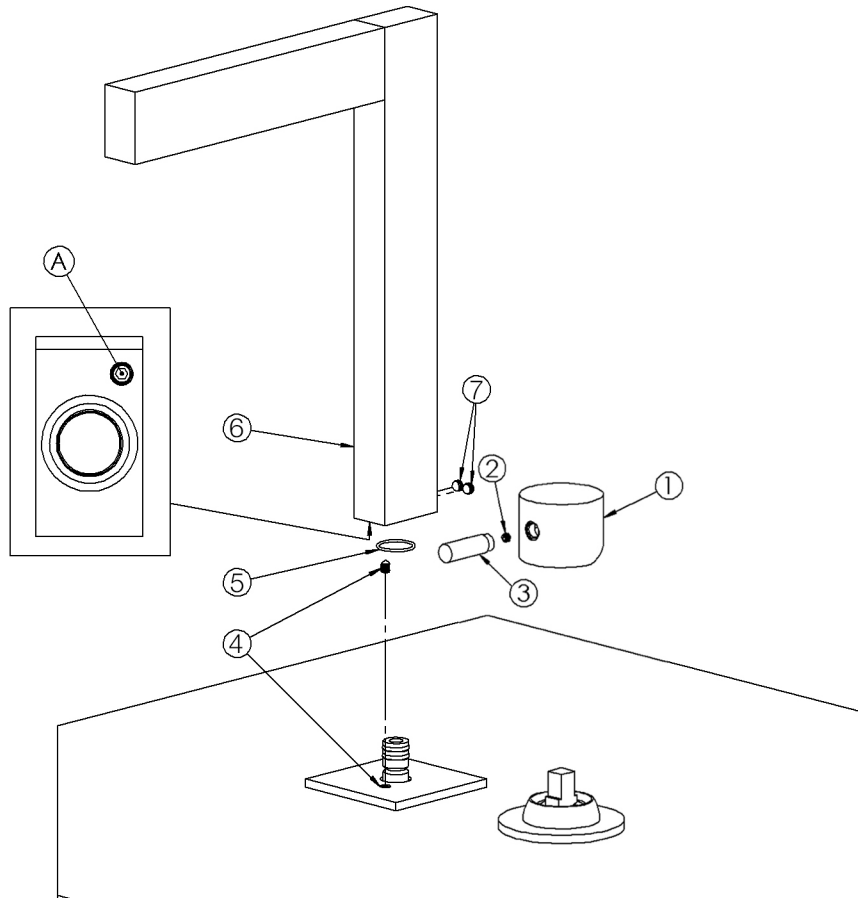
INSTALLATION STEP 3

- Place the two small cover plates (1)
- Place the O-ring (2) and screw the cap (3) to secure the cover plate of the mixer body.



INSTALLATION STEP 4

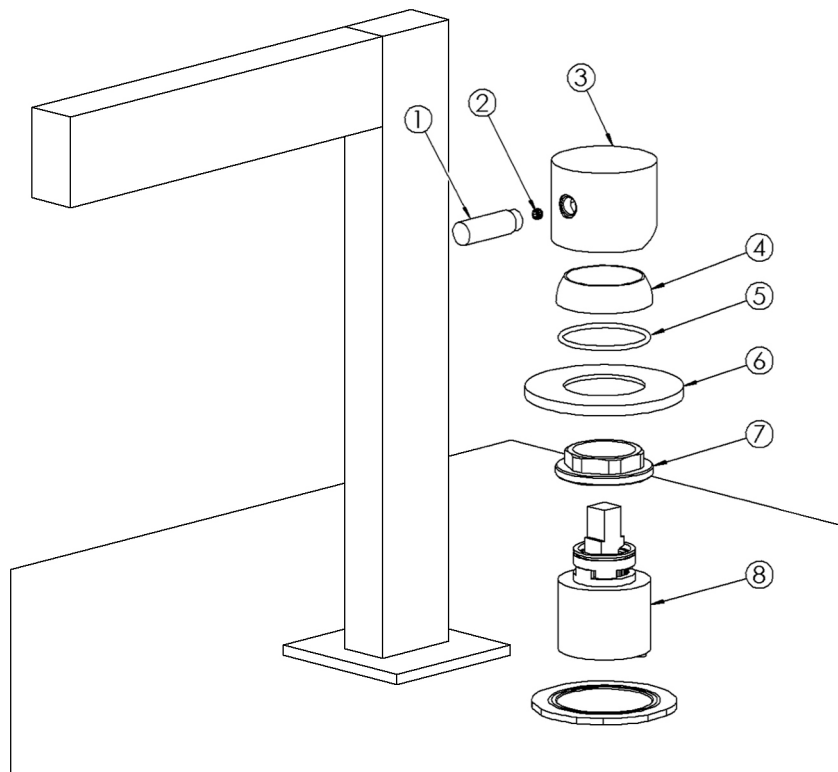
- Place the control handle (1) and fix it with the grub screw (2).
- Screw the lever (3) on the control handle.
- Fix the grub screw (4) in the spout threaded hole (A).
- Place the O-ring (5) and the spout (6).
- Fix the spout with the grub screws (7).



CARTRIDGE CHANGE

To replace the cartridge, follow the instructions below:

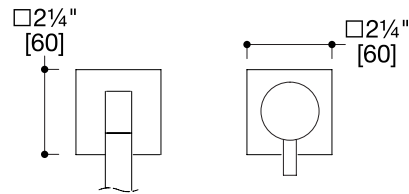
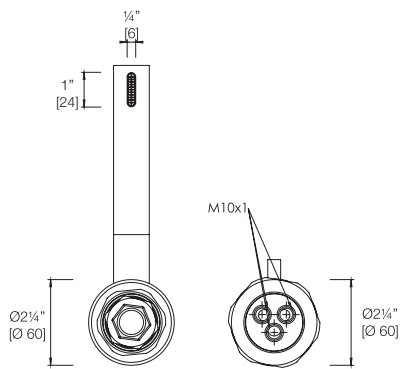
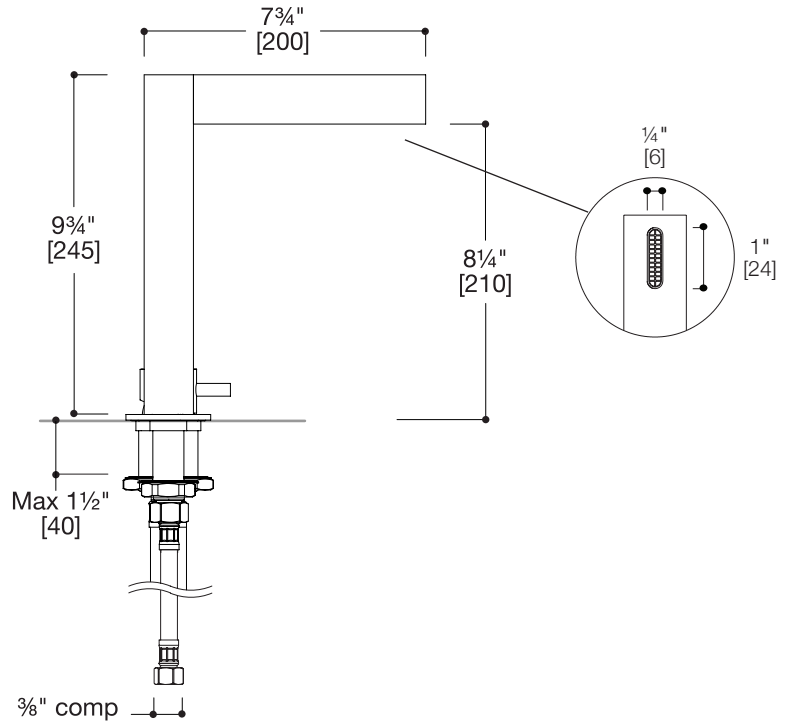
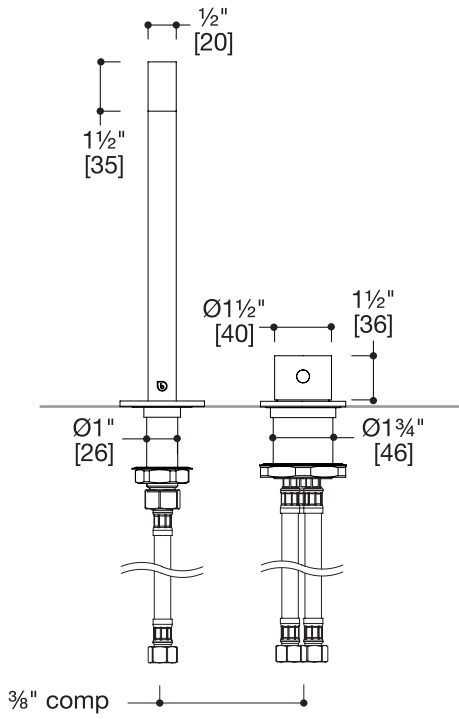
- Shut off water supply to both inlets
- Remove the control lever (1), remove the grub screw (2), take off the control handle (3) and unscrew the cap (4).
- Pay attention not to lose the O-ring (5) and pull out the plate (6).
- Unscrew the flange (7) using 28mm/ 1 1/9" spanner. Remove the cartridge (8).
- Before re-assembling cartridge (8) clean its housing with wet cloth.
- Re-assembling the flange (7) and the plate (6), place the O-ring (5) and screw the cap (4).
- Re-fit the control knob (3) and fix it with the grub screw (2).
- Re-fit the lever (1).



IMPORTANT

In case of reduction of flow rate, dismantle the aerator and clean the filter inside or change it.

TSU131.01



TSU131.01

