

TSU131.01 SPECIFICATIONS

opus·2 deck-mount basin mixer

FEATURES:

- Two-hole, deck-mount basin mixer with single lever handle
- 6½" spout projection with Neoperl laminar flow aerator
- Ceramic disk valve cartridge for drip-free performance
- Durable finish and sleek design
- Brass valve body
- Includes NPT flexhose water supply
- Less drain



SPECIFICATIONS:

Warranty:	Limited lifetime warranty (residential) One year warranty (commercial)
Material:	Brass body
Flow rate:	1.5 gpm @ 60 PSI
Connection:	¾" comp
Weight:	9lbs (4 kg)*
Shipping Dimensions:	(LWH) 18" x 12¼" x 4½" (455mm x 308mm x 117mm)*

FINISH:

Polished chrome

ACCESSORIES (sold separately):

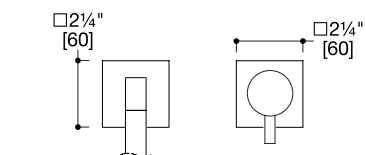
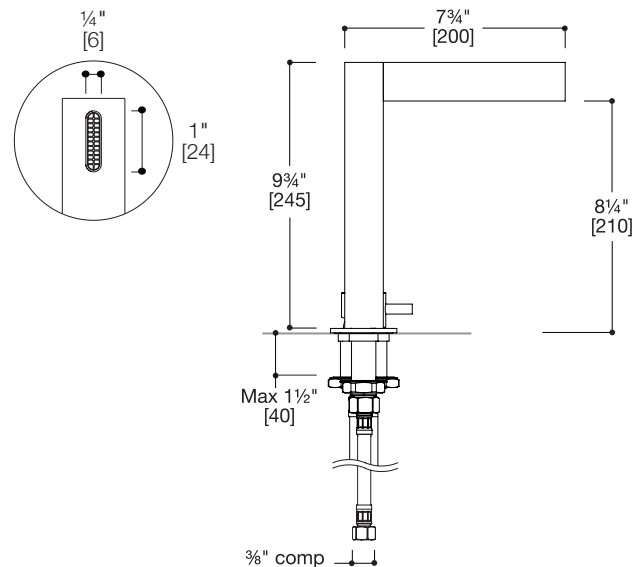
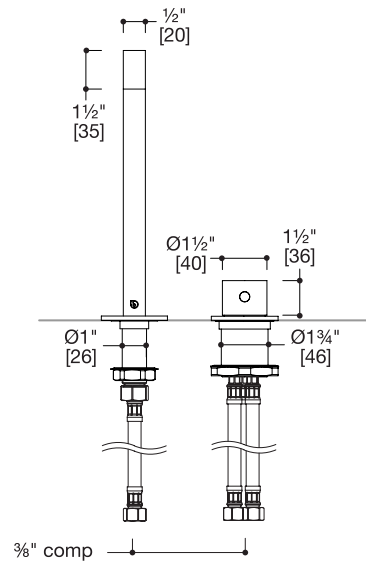
- Recommend TW120 or TW121 push button waste

INSTALLATION:

Install this product according to the installation guide. Our products must be installed by certified professionals only and according to our installation guide as well as federal, provincial/state and local building codes and regulations.

CODES / STANDARDS APPLICABLE:

- Meets or exceeds ANSI / ASME standard A112.18.1 and CAN / CSA B125.1-05 requirements
- Listed with IAPMO bearing the UPC / cUPC mark
- ADA compliant
- Calgreen compliant



*Approximate measurements for comparison only.
Note: These dimensions and specifications are subject to change without notice.