

TSU211.01 SPECIFICATIONS

opus-2 modular basin mixer unit



FEATURES:

- Wall-mount basin mixer with single lever handle, square trim & rough-in valve
- Interchangeable spout positions
- Durable finish and sleek design
- Brass valve body
- Ceramic disk valve cartridge for drip-free performance
- Less drain

SPECIFICATIONS:

Warranty:	Limited lifetime warranty (residential) One year warranty (commercial)
Connection:	1/2" NPT
Material:	Brass body
Flow rate:	1.5 gpm @ 60 PSI
Weight:	4.5lbs (2kg)*
Shipping dimensions:	(LWH) 14" x 7 3/4" x 4" (357mm x 196mm x 100mm)*

FINISH:

Polished chrome

ACCESSORIES (sold separately):

- Recommend opus-2 spout: TF250 (7") or TF260 (9 3/4") [ref.diagram A, 1]
- Recommend TW120 or TW121 push button waste

INSTALLATION:

Install this product according to the installation guide. Our products must be installed by certified professionals only and according to our installation guide as well as federal, provincial/state and local building codes and regulations.

CODES / STANDARDS APPLICABLE:

- Meets or exceeds ANSI / ASME standard A112.18.1 and CAN / CSA B125.1-05 requirements
- Listed with IAPMO bearing the UPC / cUPC mark
- Calgreen compliant
- ADA compliant
- California AB1953 compliant

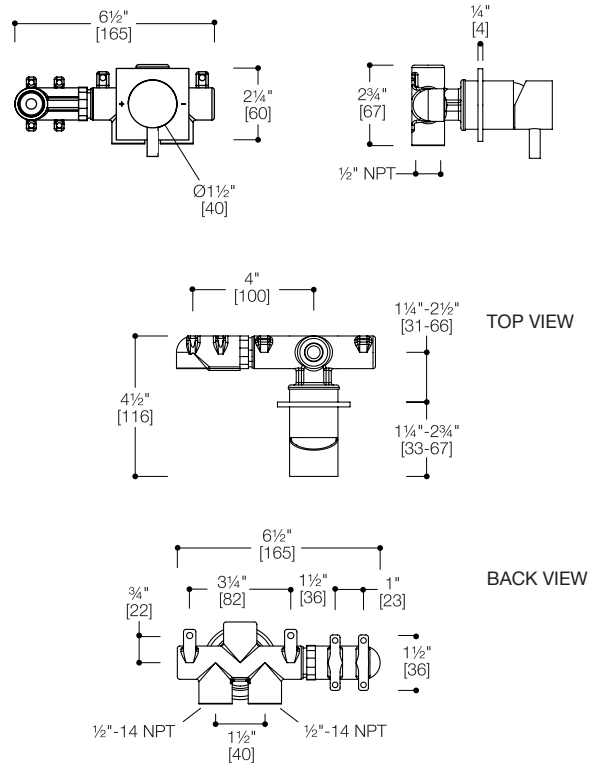
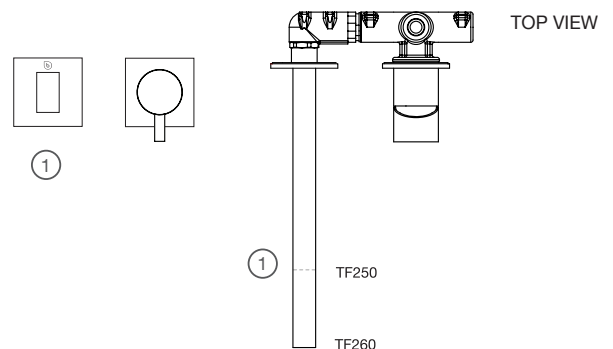


Diagram A: completed unit

① spout



shown here in combination with TF250 7" spout



*Approximate measurements for comparison only.
Note: These dimensions and specifications are subject to change without notice.