

# LB9020 SPECIFICATIONS

## metrix single-hole wall mounted bidet

### FEATURES:

- Streamlined, one piece wall-mounted design with overflow
- Vitreous china
- Standard two-bolt installation system
- Skirted styling with concealed drain for easy cleaning
- ADA compliant when installed at the required height of 17" (430mm) - 19¼" (489mm)

### SPECIFICATIONS:

Drain Diameter:	Ø1¾" (Ø45mm)
Weight:	43lbs (19.5kg)*
Warranty:	One Year Limited Warranty
Material:	Vitreous China
Shipping Weight:	57lbs (26kg)*
Shipping Dimensions:	(LWH) 24½" x 17¾" x 17¼" (620mm x 450mm x 435mm)*

### FINISH/COLOR:

White

### ACCESSORIES (sold separately):

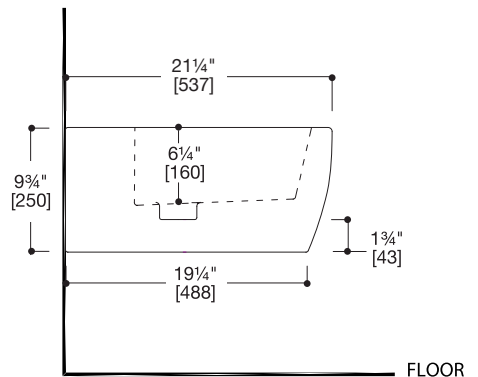
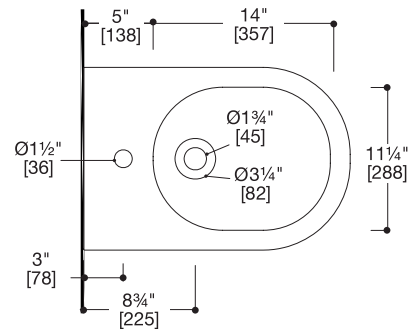
- Geberit carrier 111.520.00.1 (not included)
- Bidet mixer TOX611, TSU611 & TSP611 available
- LW6008, LW6020A + LW6030A coordinating toilet

### INSTALLATION NOTES:

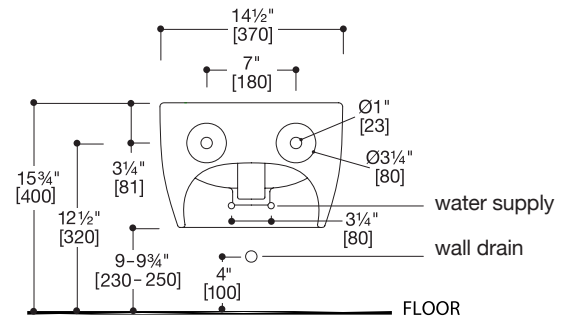
Install this product according to the installation guide.  
Our products must be installed by certified professionals only.

### CODES / STANDARDS APPLICABLE:

- ADA compliant when installed at the required height of 17" (430mm) - 19¼" (489mm)
- Meets or exceeds ANSI / ASME standard A112.19.2 and CAN / CSA B 45 requirements
- ASME A112.19.2.2003
- IAPMO / UPC / cUPC
- ASME A112.19.5-2005 / CSA B125.3-2005
- CSA B45.0; CSA B45.1



\*recommended mounting dimensions



\*Approximate measurements for comparison only.  
Note: These dimensions and specifications are subject to change without notice.