

TOX102 SPECIFICATIONS

INOX deck-mount single-lever basin spout

FEATURES:

- Single-hole, deck-mount basin spout with single-lever handle
- Durable and sleek design
- Stainless steel AISI 304
- 5" spout projection
- Less drain

SPECIFICATIONS:

Warranty:	Limited lifetime warranty (residential) One year warranty (commercial)
Connection:	3/8" comp
Material:	Stainless steel AISI 304
Flow rate:	1.2 gpm @ 60 PSI
Cartridge type:	Ceramic cartridge S.T.S.R Italy
Shipping weight:	3.8 lbs (1.75 kg)*
Shipping dimensions:	(LWH) 14 3/4" x 24 1/4" x 3 3/4" (375mm x 615mm x 93mm)

FINISH:

- Satin (-S)

ACCESSORIES (sold separately):

- Recommend TW120 or TW121 push-button waste

INSTALLATION:

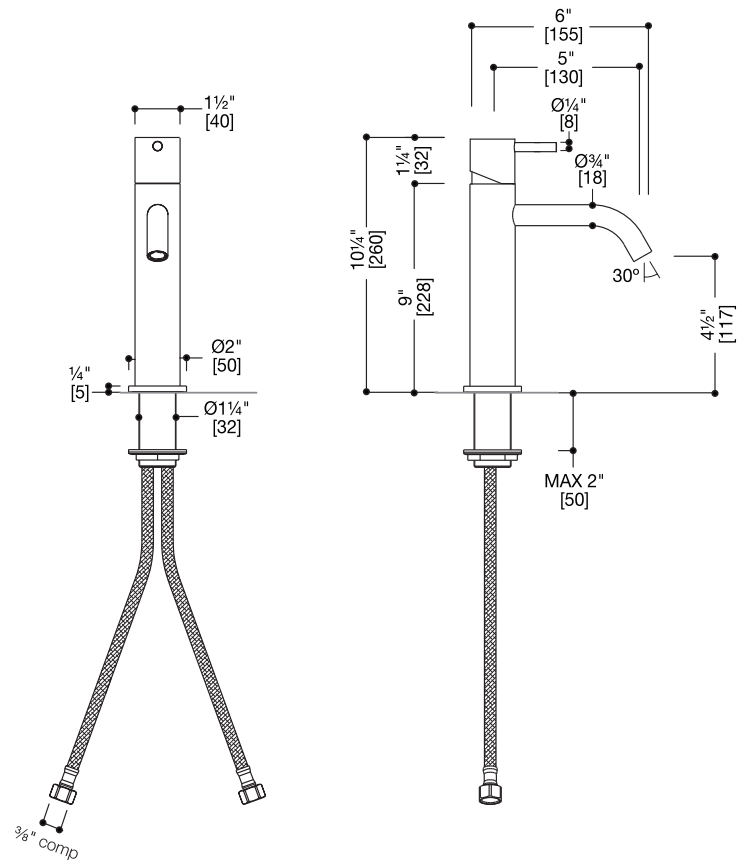
Install this product according to the installation guide. Our products must be installed by certified professionals only and according to our installation guide as well as federal, provincial/state and local building codes and regulations.

CARE AND MAINTENANCE:

See Installation Manual

CODES / STANDARDS APPLICABLE:

- Meets or exceeds ANSI / ASME standard A112.18.1 and CAN / CSA B125.1-05 requirements
- Listed with IAPMO bearing the UPC / cUPC mark
- ADA compliant
- Calgreen compliant
- California AB1953 compliant



*Approximate measurements for comparison only.
Note: These dimensions and specifications are subject to change without notice.