

# LW6030A SPECIFICATIONS

## coco wall mount dual-flush toilet

### FEATURES:

- Wall mounted, in wall tank toilet
- Vitreous china
- Dual flush consumption (0.8 gpf / 3 lpf or 1.6 gpf / 6 lpf)
- Elongated bowl
- Powerful, quiet flush every time
- ADA compliant when installed at the required height of 17" (430mm) - 19" (483mm)

### SPECIFICATIONS:

Water Use:	0.8 gpf (3 lpf) or 1.6 gpf (6 lpf)
Flush System:	Geberit in-wall tank 111.335.00.5 for 2x6 walls 111.798.00.1 for 2x4 walls Geberit items not included
Min. Water Pressure:	20 PSI
Weight:	52.9lbs (24kg)*
Water Surface:	5" x 4" (125mm x 100mm)
Warranty:	One Year Limited Warranty
Material:	Vitreous China
Shipping Weight:	57lbs (26kg)*
Shipping Dimensions:	(LWH) 24½" x 17¾" x 17¼" (620mm x 450mm x 435mm)

### FINISHES:

White

### ACCESSORIES:

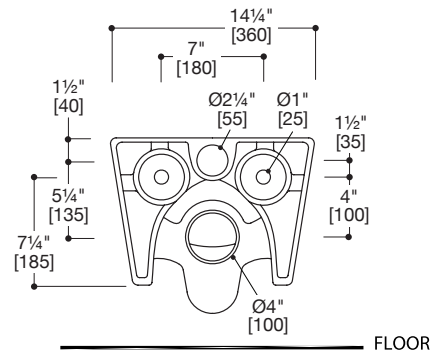
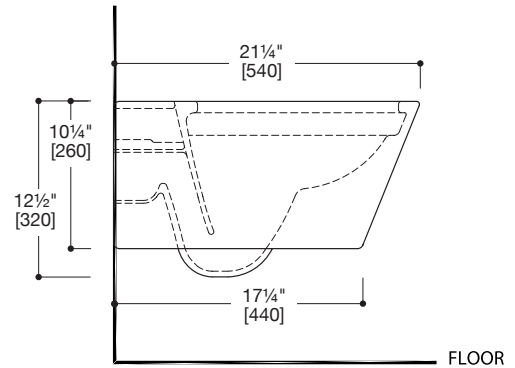
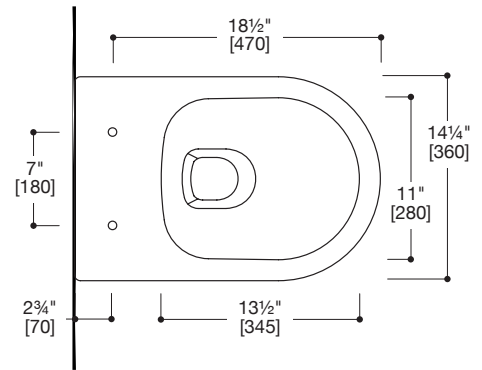
- Geberit tank & actuator flush panels (not included)
- LSeat-004 duroplast soft-close, quick-release toilet seat (not included)
- LSeat-slim, ultra slim duroplast soft-close, quick-release toilet seat (not included)
- LB9020 coordinating bidet (sold separately)

### CODES / STANDARDS APPLICABLE:

- ADA compliant when installed at the required height of 17" (430mm) - 19" (483mm)
- Meets or exceeds ANSI / ASME standard A112.19.2 and CAN / CSA B 45 requirements
- ASME A112.19.2.2003
- IAPMO / UPC / cUPC
- ASME A112.19.5-2005 / CSA B125.3-2005
- CSA B45.0; CSA B45.1
- WaterSense & Calgreen compliant

### INSTALLATION NOTES:

Install this product according to the installation guide.  
Our products must be installed by certified professionals only.  
Refer to manufacturer and local codes for flush valve requirements.



\*Approximate measurements for comparison only.  
Note: These dimensions and specifications are subject to change without notice.